



B E A R I N G S U P P O R T S

June 2009 • English Version • Issue 14.1





This catalogue presents the Bearing Line and includes the latest generation of products shown in earlier catalogues. This catalogue relates to current production. Other information, which may be different from that contained in this publication, must be considered invalid. The right is reserved to carry out modifications rendered necessary by the technical development of System Plast products.

© Copyright System Plast Italy 2009

The contents of this catalogue are the copyright of the publisher and may not reproduced (even extracts) unless permission is granted. Every care has been taken to ensure the accuracy of the information contained in this catalogue but no liability can be accepted for any errors or omissions.

Catalogue BL - 06/2009/E
Code N. 22201/014
Printed in Italy



Quality and Service

Your expectation, our standard.

Customers expect the best from System-Plast; we are committed to delivering nothing less. In every phase of our operation, from engineering, to production, to sales and assistance, System-Plast is committed to complying with the stringent standards of ISO 9001.



When you are looking for a quality conveyor component, look at System Plast.

We put our Leadership on the line for you. Our complete range of products combines stainless steel, carbon steel, aluminium and engineered plastics to achieve reliability, superior performance and a compact of design. As one of the world's leading suppliers of conveyor components, System Plast has a tradition of innovation that dates back to 1985 when we entered into this field.

System Plast Components have become the standard of design and performance to a wide range of industries, including conveyor manufacturing, materials handling, power transmission, packaging and many more. In addition to manufacturing excellence, System Plast has earned a reputation for outstanding customer service, offering a full range of design, custom fabrication and support services. We hope you will now take a moment to look through this comprehensive catalogue.

Then, when you are ready to discuss your needs with the nearest System Plast representative, please consult the back cover of this catalog for further details about our sales network. We are able and eager to assist you setting up a smooth running line.

The components you want, when and how you want them.

System Plast is ready and able to satisfy your needs with quick answers and delivery of standard or custom made products. Our customers around the world know that the shortest distance between a problem and its solution is to call us: innovations, research, engineering and production are always under a strict control to improve our service and products.

Call our engineering experts.

To order the products you have selected, or to get expert advice in choosing the right ones for your application, call System Plast's Engineering Department at (035) 83.51.301, or fax your specifications: (035) 83.51.406.

We'll be happy to provide the information and advice you need.

And we'll work to ensure prompt processing and delivery of your order.



System Plast offers a complete line of products to answer all your production needs.

CONVEYOR COMPONENTS

- Drive sprockets, idler wheels, corner discs.
- Chain return components.
- Lateral guides and guide rail clamps.
- Adjustable heads and knobs.
- Side mounting and support heads.
- Threaded tube ends.
- Thermoplastic chains.
- Straight and corner tracks.
- Cross clamps.
- Guide rail brackets and drip tray supports.
- Hinges and handles.
- Support bases and leveling elements.

BEARING SUPPORTS

- Flanged bearing supports.
- Pillow block supports.
- Take-up supports.
- Cartridge/take-up supports.
- Supports for shafts from $\varnothing 12$ to $\varnothing 40$ mm.
- Flanged bearing supports in stainless steel.
- Compact pillow block supports.
- Cartridge supports.
- Supports with high corrosion resistance.

LEVELING PADS

- Thermoplastic, steel and stainless steel supporting feet.
- Fixed feet.
- Threaded tube ends.
- Articulated feet with or without mounting holes.
- Vibration absorbing feet.
- Support bases

CONVEYOR CHAINS

- Straight running chains.
- Sideflexing chains including magnetic system.
- Sideflexing chains with rubber pads.
- Straight running chains with rubber pads.
- Straight and corner tracks.
- Chains with LBP rollers.
- Multiflex chains.
- Case conveyor chains.

MODULAR BELTS

- Flat top belts.
- Belts with low noise accumulation rollers.
- Grip top belts.
- Flush grid belts.
- Sideflexing flat top chainbelts for magnetic system.
- Sideflexing flush grid chainbelts for magnetic system.
- Sideflexing modular belts.



BEARING SUPPORTS

Food industry

advantages:

- excellent corrosion resistance
- easy cleaning
- high mechanical resistance
- long life
- low maintenance

Chemical and Pharmaceutical

advantages:

- excellent chemical resistance
- high oxidation resistance
- easy cleaning
- light-weight
- high mechanical resistance
- long life
- low maintenance

Agriculture

advantages:

- good resistance to dirt and dust
- easy cleaning
- high vibration resistance
- high mechanical resistance
- long life
- low maintenance

Material handling

advantages:

- good resistance to dirt and dust
- suitable for humid environments
- high vibration resistance
- light-weight
- easy cleaning
- high mechanical resistance
- long life
- low maintenance

Bearing Support Units in Thermoplastic Material

Our range

Housing in Thermoplastic Material

Nolu-Clean

Bearing

Long-life grease

In many different industries, such as food, chemical and pharmaceutical, material handling and even agriculture, bearings must provide for long periods of uninterrupted service.

Therefore, a bearing offering low maintenance and "trouble-free" operation must be introduced.

System Plast intends to offer the solution with its thermoplastic bearings. The constant evolution of the Bearing Line range enables System Plast to provide a suitable product for a wide variety of applications, extending to the most challenging.

System Plast offers a selection of bearings for shaft diameters ranging from 12mm to 40mm and from 3/4" to 1 1/2".

Providing true support, the bearings are available in Flanged or Pillow Block versions, and Take Up Unit or Framed Take Up Unit versions.

All bearings are made of corrosion resistant chrome steel or austenitic stainless steel, allowing for operation even in humid environments.

All bearings are lubricated with a special "long-life" grease.

The housing of most of our Bearing Support products is available in two different thermoplastic materials: Polyamide and Polypropylene.

Both are reinforced with fiberglass to guarantee constant application and thermal stability.

The housing, in thermoplastic material, is light-weight, yet strong and safe, making it very reliable.

Moreover, the radial break load capacity of the plastic housing is higher than the bearing static load itself.

Each version offers good resistance to many corrosive chemicals. Both version maintain good dimensional stability at temperatures between 0°C and +80°C.

Hygiene has become an important issue in a number of areas in filling and packaging lines. Nolu-Clean is a new antimicrobial material for improved hygiene, supporting the effectiveness of your cleaning efforts. Nolu-Clean is listed for industrial use in many countries including Australia, Canada, China, Korea, the Philippines, the USA, Japan and most European countries.

Nolu-Clean inhibits growth of bacteria, molds and yeasts, provides odor control and hygiene maintenance, and is durable.

The bearings are available in two different versions, shaft locking with grub screws or with eccentric ring and in two different materials, chrome steel and stainless steel.

The bearings are lubricated with a special "Long-Life" grease, which is ideal in applications within humid conditions, hot water, and in alkaline or acid solutions.

The grease is a H1 grade lubricant, which makes it suitable for incidental direct contact with food.

With this unique lubricant, System Plast bearings are able to sustain long life cycles ensuring quality operation.



WATERPROOF



MAINTENANCE
FREE

 Page 8 - 9  UCF	 Page 22 - 23  US	 Page 32 - 33  UCFL	 Page 36 - 37  UFL	 Page 52 - 53  UCFT
 Page 10 - 11  UCF-R	 Page 24 - 25  US-R	 Page 34 - 35  UCFL-W	 Page 38 - 39  UFL-Z	 Page 54 - 55  CB
 Page 12 - 13  UCF-RL	 Page 26 - 27  CS		 Page 40 - 41  UCFH	 Page 56 - 57  CB-R
 Page 14 - 15  E	 Page 28 - 29  CS-R		 Page 42 - 43  UCFH-R	 Page 58 - 59  CB-RL
 Page 16 - 17  UCFO	 Page 30 - 31  CS-RL		 Page 44 - 45  UCFH-RL	
 Page 18 - 19  UCFQ-R			 Page 46 - 47  CL	
 Page 20 - 21  UCFQ-RL			 Page 48 - 49  CL-R	
			 Page 50 - 51  CL-RL	







WATERPROOF







**MAINTENANCE
FREE**

<p>Page 60 - 61</p> <p>UCFC</p>	<p>Page 66 - 67</p> <p>UCP</p>	<p>Page 70 - 71</p> <p>UCPA</p>	<p>Page 74 - 75</p> <p>UCFA</p>	<p>Page 78 - 79</p> <p>UCFG</p>
<p>Page 62 - 63</p> <p>UCFC-Y</p>	<p>Page 68 - 69</p> <p>UCP-R</p>	<p>Page 72 - 73</p> <p>UCPA-R</p>	<p>Page 76 - 77</p> <p>UCFA-R</p>	<p>Page 80 - 81</p> <p>UCFG-R</p>
<p>Page 64 - 65</p> <p>FC</p>				

<p>Page 82 - 83</p> <p>UCT</p>	<p>Page 86 - 87</p> <p>UCHA</p>	<p>Page 90 - 91</p> <p>UCHE</p>	<p>Page 94 - 95</p> <p>SFL</p>	<p>Page 98 - 99</p> <p>SQL left-right</p>
<p>Page 84 - 85</p> <p>UCT-R</p>	<p>Page 88 - 89</p> <p>UCHA-R</p>	<p>Page 92 - 93</p> <p>UCHE-R</p>	<p>Page 96 - 97</p> <p>SFL-Z</p>	

		Regreasable	Corrosion resistance	Mechanical resistance	For shaft size ø mm	Page
STANDARD BEARING WITH GRUB SCREWS		●	HIGH	GOOD	12,15,16 17,20,25 30,35,40	102
Bearing in chrome steel - Protection rings in steel with NBR rubber						
STANDARD BEARING WITH ECCENTRIC RING		●	HIGH	GOOD	12,15,16 17,20,25 30,35,40	102
Bearing in chrome steel - Protection rings in steel with NBR rubber						
STAINLESS STEEL		●	EXCELLENT	GOOD	20,25 30,35,40	103
Stainless steel bearing with Cr+Mo - Seals in NBR rubber - Protection rings in stainless steel						
MAINTENANCE FREE			HIGH	GOOD	20,25 30,35,40	103
Bearing in chrome steel - Protection rings in steel with NBR rubber						

			Page
CLIP ON SAFETY CAPS CLOSED VERSION		<ul style="list-style-type: none"> • Clip-on safety cap in polypropylene • Closed version • Colour: safety cap in yellow 	See individual pages of standard bearing supports
CLIP ON SAFETY CAPS OPEN VERSION		<ul style="list-style-type: none"> • Clip-on safety cap in polypropylene • Open version • Colour: safety cap in yellow. 	See individual pages of standard bearing supports
SAFETY CAPS CLOSED VERSION FOR WATERPROOF SUPPORTS		<ul style="list-style-type: none"> • Clip-on safety cap in polypropylene • Heavy duty O-ring in NBR-rubber for housings in Polyamide. • Heavy duty O-ring in VITON-rubber for housings in Polypropylene. • Colour: safety cap in yellow. 	104-105
SAFETY CAPS OPEN VERSION FOR WATERPROOF SUPPORTS		<ul style="list-style-type: none"> • Clip-on safety cap in polypropylene • Heavy duty O-ring and rotary shaft ring in NBR-rubber for housings in Polyamide. • Heavy duty O-ring and rotary shaft ring in VITON rubber for housings in Polypropylene. • Colour: safety cap in yellow. 	106-107
FOR SUFFICIENT QUANTITIES PARTS CAN BE PRODUCED IN DIFFERENT COLOURS OR IN TRANSPARENT			

Nolu-Clean[®]

Why bearing supports in thermoplastic material?

In many different industries, such as food, chemical and pharmaceutical, material handling and even agriculture, bearings must provide for long periods of uninterrupted service.

Therefore, a bearing offering low maintenance and “trouble-free” operation must be introduced.

System Plast intends to offer the solution with its thermoplastic bearings. The constant evolution of the Bearing Line range enables System Plast to provide a suitable product for a wide variety of applications, extending to the most challenging.

Why Nolu-Clean?

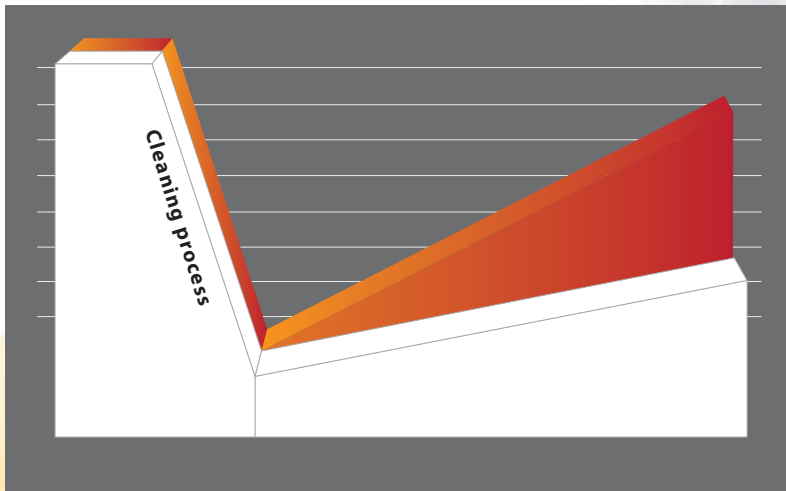
Hygiene has become an important issue in a number of areas in filling and packaging lines. Nolu-Clean is a new antimicrobial material for improved hygiene. To support the effectiveness of your cleaning efforts, System Plast offers the possibility to use Nolu-Clean with chains and a range of components.

Features

Nolu-Clean, the new antimicrobial material for improved hygiene, is listed for industrial use in many countries including Australia, Canada, China, Korea, the Philippines, the USA, Japan and most European countries.

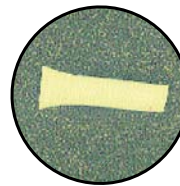
Nolu-Clean inhibits growth of bacteria, molds and yeasts, provides odor control and hygiene maintenance, and is durable.

Growth inhibition test

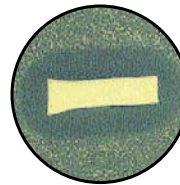


- Bacterial growth with Nolu Clean effect
- Normal bacterial growth after cleaning

Bacterial growth test



Bacterial culture without Nolu-Clean



Bacterial culture with Nolu-Clean

STANDARD



TECHNICAL INFORMATION for UCF

- **Resistance to corrosion:**
 - Polyamide version (PA): good resistance to many corrosive chemicals such as water, oils, greases, petrol, milk, wine, alcoholic beverages.
 - Polypropylene version (PP): excellent resistance to highly corrosive chemicals such as acids, organic liquids, detergents.
- **Load capacity:**
 - Housings in PA have a higher load capacity than housings in PP. See tables.
- **Continuous operating temperature:**
 - All our bearings can be used at temperatures between 0°C and +80°C. For lower or higher temperatures please consult our Engineering Department.
- **Economical operation:**
 - Long life bearing insert.
- **Self-alignment:**
 - Max misalignment between shaft and housing: 2.5°.
- **Concept and design to meet all safety requirements.**
- **Interchangeable with standard cast iron flanged supports.**
- **Ball bearing pre-lubricated with long-life grease, which is ideal in applications in humid conditions, with water, alkaline or acid solutions.**

SEE ALSO...

Accessories: [p. 110](#)
 Features, lubrication and maintenance: [p. 112](#)
 Mounting instruction: [p. 113 - 114](#)
 Calculation of load capacity, bearing life: [p. 115 - 116](#)
 Chemical resistance: [p. 120 - 121](#)

COMPONENTS

- ① Housing in reinforced polyamide (Housing in reinforced polypropylene available on request).
- ② Adjustable chrome steel or stainless steel ball bearing, pre-lubricated. Can be re-lubricated by means of grease-nipple or a quick coupler.
- ③ Ball-type grease-nipple or quick coupler from nickel plated brass (available upon request) to take semi-rigid hoses \varnothing 4 mm in Rilsan (see accessories on [page 110](#)). Version with stainless steel bearing has a stainless steel grease nipple.
- ④ Clip-on safety cap (accessory).
- ⑤ Spacers from nickel plated brass to reinforce fixing holes.
- ⑦ Washer UNI 6592, stainless steel AISI 304-DIN 1.4301.

UCF
STANDARD

POLYAMIDE HOUSING



accessory

COLOUR

- Bearing support in black.
- Safety cap in yellow.
- For sufficient quantities parts can be produced in different colours.

UCF
STANDARD

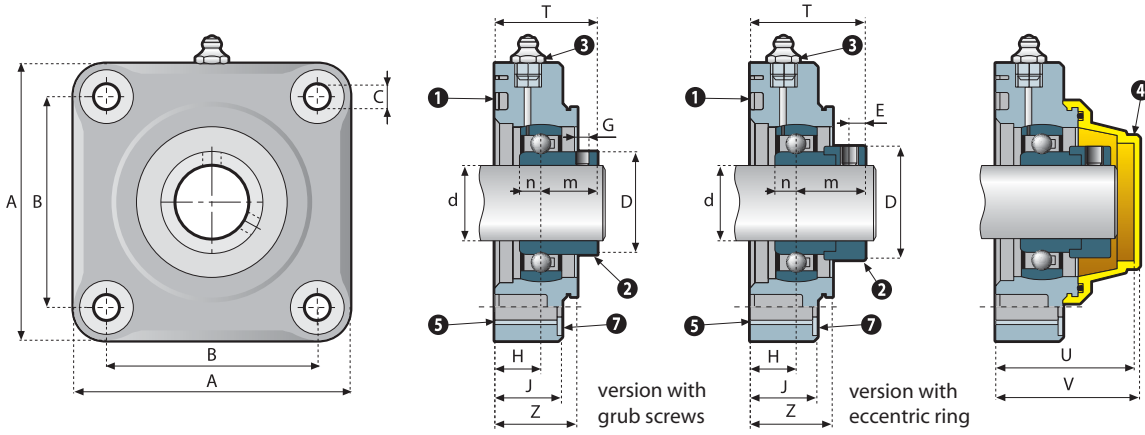
POLYPROPYLENE HOUSING



accessory

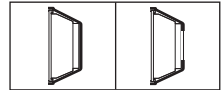
COLOUR

- Bearing support in black.
- Safety cap in yellow.
- For sufficient quantities parts can be produced in different colours.



Preferred types, readily available (codes marked in red)

Accessories



Ø d mm	code version	dimension (mm)														bearing load ratings		housing load rating max. N*	weight (Kg)	closed safety cap code	open safety cap code
		A	B	C	D	E	G	H	J	Z	T	m	n	U	V	dynamic C (N)	static Co (N)				

CHROME STEEL BEARING WITH GRUB SCREWS (POLYAMIDE)

20	50204S	86	63	11	29	5	M6x0.75	16	19	25	34	18	7	50	52	9850	6580	12800	0.23	50003A	50003A.APE
20	50204A	98	70	11	29	5	M6x0.75	16	19	25	34	18	7	50	52	9850	6580	12800	0.35	50003A	50003A.APE
25	50205S	86	63	11	34	5.5	M6x0.75	15	19	25	34.5	19.5	7.5	50	52	10800	7800	12800	0.28	50003A	50003A.APE
25	50205A	98	70	11	34	5.5	M6x0.75	15	19	25	34.5	19.5	7.5	50	52	10800	7800	13000	0.41	50003A	50003A.APE
25	50205	110	83	11	34	5.5	M6x0.75	19	25	31	38.5	19.5	7.5	53	55	10800	7800	13000	0.45	50001	50001.APE
30	50206S	110	77	11	40.3	6	M6x0.75	22	25	36	44	22	8	68	70	15000	11300	12000	0.50	50004	50004.APE
30	50206	110	83	11	40.3	6	M6x0.75	18	25	31	40	22	8	53	55	15000	11300	13000	0.56	50001	50001.APE
35	50207	110	83	11	48	6.5	M8x1.00	20	25	35	43.5	23.5	8.5	67	69	19700	15300	12800	0.70	50002	50002.APE
35	50207G	118	92	14	48	6.5	M8x1.00	20	25	35	43.5	23.5	8.5	67	69	19700	15300	13000	0.80	50002	50002.APE
40	50208S	110	77	11	53	7	M8x1.00	19	25	36	44	25	9	68	70	22400	17900	12000	0.88	50004	50004.APE
40	50208	110	83	11	53	7	M8x1.00	20	25	35	45	25	9	67	69	22400	17900	12500	0.87	50002	50002.APE
40	50208G	118	92	14	53	7	M8x1.00	20	25	35	45	25	9	67	69	22400	17900	12800	0.86	50002	50002.APE
40	50208F	130	101.5	14	53	7	M8x1.00	20	25	35	45	25	9	67	69	22400	17900	12500	0.90	50002	50002.APE

CHROME STEEL BEARING WITH ECCENTRIC RING (POLYAMIDE)

20	50204SB	86	63	11	33.3	5	M6x0.75	16	19	25	39.9	23.9	7	50	52	9850	6580	12800	0.26	50003A	50003A.APE
20	50204AB	98	70	11	33.3	5	M6x0.75	16	19	25	39.9	23.9	7	50	52	9850	6580	12800	0.40	50003A	50003A.APE
25	50205SB	86	63	11	38.1	5	M6x0.75	15	19	25	38.4	23.4	7.5	50	52	10800	7800	12800	0.35	50003A	50003A.APE
25	50205AB	98	70	11	38.1	5	M6x0.75	15	19	25	38.4	23.4	7.5	50	52	10800	7800	13000	0.44	50003A	50003A.APE
25	50205B	110	83	11	38.1	5	M6x0.75	19	25	31	42.4	23.4	7.5	53	55	10800	7800	13000	0.48	50001	50001.APE
30	50206SB	110	77	11	44.5	6	M6x0.75	22	25	36	49.7	27.7	8	68	70	15000	11300	12000	0.70	50004	50004.APE
30	50206B	110	83	11	44.5	6	M6x0.75	18	25	31	45.7	27.7	8	53	55	15000	11300	13000	0.60	50001	50001.APE
35	50207B	110	83	11	55.6	6.5	M8x1.00	20	25	35	50.4	30.4	8.5	67	69	19700	15300	12800	0.78	50002	50002.APE
35	50207GB	118	92	14	55.6	6.5	M8x1.00	20	25	35	50.4	30.4	8.5	67	69	19700	15300	13000	0.88	50002	50002.APE
40	50208SB	110	77	11	60.3	6.5	M8x1.00	19	25	36	53.7	34.7	9	68	70	22400	17900	12000	0.97	50004	50004.APE
40	50208B	110	83	11	60.3	6.5	M8x1.00	20	25	35	54.7	34.7	9	67	69	22400	17900	12500	0.95	50002	50002.APE
40	50208GB	118	92	14	60.3	6.5	M8x1.00	20	25	35	54.7	34.7	9	67	69	22400	17900	12800	0.91	50002	50002.APE
40	50208FB	130	101.5	14	60.3	6.5	M8x1.00	20	25	35	54.7	34.7	9	67	69	22400	17900	13000	0.97	50002	50002.APE

STAINLESS STEEL BEARING WITH GRUB SCREWS (POLYAMIDE)

20	50204S/SS	86	63	11	29	5	M6x0.75	16	19	25	34.7	18.7	7	50	52	7300	4900	12000	0.23	50003A	50003A.APE
20	50204A/SS	98	70	11	29	5	M6x0.75	16	19	25	34.7	18.7	7	50	52	7300	4900	13000	0.35	50003A	50003A.APE
25	50205S/SS	86	63	11	34	5.5	M6x0.75	15	19	25	34.5	19.5	7.5	50	52	8100	5800	12000	0.28	50003A	50003A.APE
25	50205A/SS	98	70	11	34	5.5	M6x0.75	15	19	25	34.5	19.5	7.5	50	52	8100	5800	13000	0.41	50003A	50003A.APE
25	50205/SS	110	83	11	34	5.5	M6x0.75	19	25	31	38.5	19.5	7.5	53	55	8100	5800	13000	0.45	50001	50001.APE
30	50206S/SS	110	77	11	40.3	6	M6x0.75	22	25	36	44	22	8	68	70	11250	8400	12500	0.50	50004	50004.APE
30	50206/SS	110	83	11	40.3	6	M6x0.75	18	25	31	40	22	8	53	55	11250	8400	13000	0.56	50001	50001.APE
35	50207/SS	110	83	11	48	6.5	M8x1.00	20	25	35	43.5	23.5	8.5	67	69	14700	11400	12800	0.70	50002	50002.APE
35	50207G/SS	118	92	14	48	6.5	M8x1.00	20	25	35	43.5	23.5	8.5	67	69	14700	11400	13000	0.80	50002	50002.APE
40	50208S/SS	110	77	11	53	7	M8x1.00	19	25	36	44	25	9	68	70	16800	13400	12500	0.88	50004	50004.APE
40	50208/SS	110	83	11	53	7	M8x1.00	20	25	35	45	25	9	67	69	16800	13400	12500	0.87	50002	50002.APE
40	50208G/SS	118	92	14	53	7	M8x1.00	20	25	35	45	25	9	67	69	16800	13400	12800	0.86	50002	50002.APE
40	50208F/SS	130	101.5	14	53	7	M8x1.00	20	25	35	45	25	9	67	69	16800	13400	14000	0.90	50002	50002.APE

STAINLESS STEEL BEARING WITH GRUB SCREWS (POLYPROPYLENE)

20	60204S	86	63	11	29	5	M6x0.75	16	19	25	34.7	18.7	7	50	52	7300	4900	6100	0.23	50003A	50003A.APE
25	60205A	98	70	11	34	5.5	M6x0.75	15	19	25	34.5	19.5	7.5	50	52	8100	5800	6100	0.41	50003A	50003A.APE
30	60206	110	83	11	40.3	6	M6x0.75	18	25	31	40	22	8	53	55	11250	8400	6000	0.56	50001	50001.APE
35	60207	110	83	11	48	6.5	M8x1.00	20	25	35	43.5	23.5	8.5	67	69	14700	11400	6000	0.70	50002	50002.APE
40	60208	110	83	11	53	7	M8x1.00	20	25	35	45	25	9	67	69	16800	13400	6200	0.87	50002	50002.APE

* MAX. RADIAL LOAD CAPACITY OF HOUSING: Values indicated in the table above, are obtained at 23°C. Strength of housing indicated on [page 115](#).

WATERPROOF



TECHNICAL INFORMATION for UCF-R

- **Resistance to corrosion:**
 - Polyamide version (PA): good resistance to many corrosive chemicals such as water, oils, greases, petrol, milk, wine, alcoholic beverages.
 - Polypropylene version (PP): excellent resistance to highly corrosive chemicals such as acids, organic liquids, detergents.
- **Load capacity:**
 - Housings in PA have a higher load capacity than housings in PP. See tables.
- **Continuous operating temperature:**
 - All our bearings can be used at temperatures between 0°C and +80°C. For lower or higher temperatures please consult our Engineering Department.
- **Economical operation.**
 - Long life bearing insert.
- **Concept and design to meet all safety requirements.**
- **Interchangeable with standard cast iron flanged supports.**
- **Self-alignment:**
 - Max misalignment between shaft and housing: 2.0°.
- **Completely sealed units.**
- **Ball bearing pre-lubricated with long-life grease, which is ideal in applications in humid conditions, with water, alkaline or acid solutions.**



WATERPROOF

SEE ALSO...

- Accessories: [p. 110](#)
 Features, lubrication and maintenance: [p. 112](#)
 Mounting instruction: [p. 113 - 114](#)
 Calculation of load capacity, bearing life: [p. 115 - 116](#)
 Chemical resistance: [p. 120 - 121](#)

COMPONENTS

- ① Housing in reinforced polyamide (Housing in reinforced polypropylene available on request).
- ② Adjustable chrome steel or stainless steel ball bearing, pre-lubricated. Can be re-lubricated by means of grease-nipple or a quick coupler.
- ③ Ball-type grease-nipple or quick coupler from nickel plated brass (available upon request) to take semi-rigid hoses ø 4 mm in Rilsan (see accessories on [page 110](#)). Version with stainless steel bearing has a stainless steel grease nipple.
- ④ Clip-on safety cap.
- ⑤ Spacers from nickel plated brass to reinforce fixing holes.
- ⑦ Washer UNI 6592, stainless steel AISI 304-DIN 1.4301.
- ⑧ Rotary shaft seal ring with extra dust-protection lip in NBR rubber.
- ⑨ Heavy duty O-Ring in NBR rubber.

UCF-R WATERPROOF

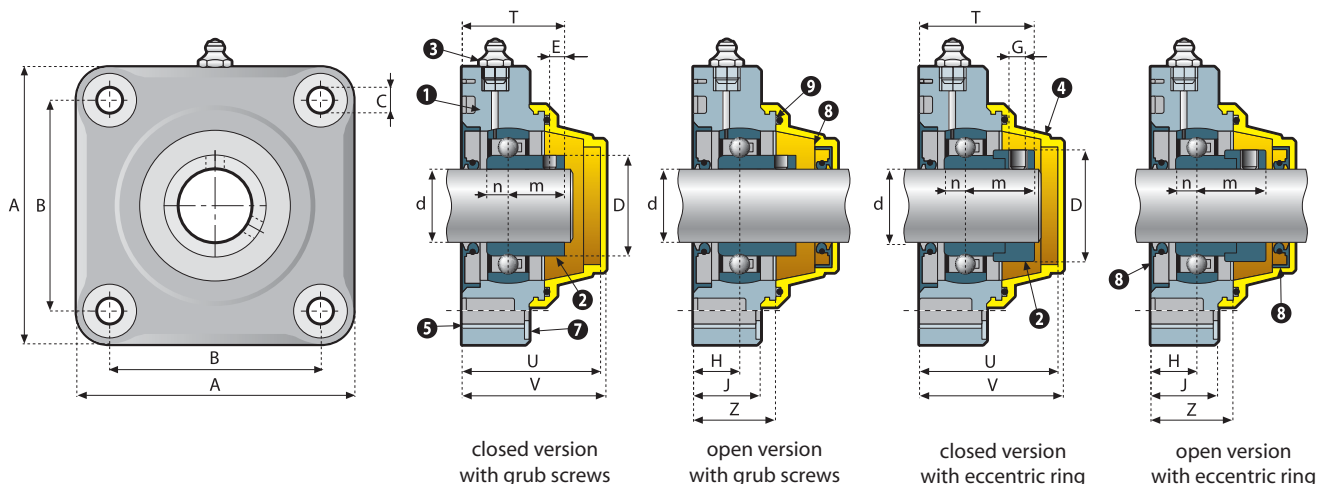
POLYAMIDE HOUSING



UCF-R WATERPROOF

POLYPROPYLENE HOUSING





Preferred types, readily available (codes marked in red)

ø d mm	code version		dimension (mm)												bearing load ratings		housing load rating max.N*	weight (Kg)
	closed	open	A	B	C	D	E	G	H	J	Z	T	m	n	U	V		

CHROME STEEL BEARING WITH GRUB SCREWS (POLYAMIDE)

20	50204SR	55204SR	86	63	11	29	5	M6x0.75	16	19	25	34	18	7	50	52	9850	6580	12000	0.28
20	50204AR	55204AR	98	70	11	29	5	M6x0.75	16	19	25	34	18	7	50	52	9850	6580	12000	0.38
25	50205SR	55205SR	86	63	11	34	5.5	M6x0.75	15	19	25	34.5	19.5	7.5	50	52	10800	7800	12000	0.31
25	50205AR	55205AR	98	70	11	34	5.5	M6x0.75	15	19	25	34.5	19.5	7.5	50	52	10800	7800	13000	0.42
25	50205R	55205R	110	83	11	34	5.5	M6x0.75	19	25	31	38.5	19.5	7.5	53	55	10800	7800	13000	0.46
30	50206SR	55206SR	110	77	11	40.3	6	M6x0.75	22	25	36	44	22	8	68	70	15000	11300	12000	0.63
30	50206R	55206R	110	83	11	40.3	6	M6x0.75	18	25	31	40	22	8	53	55	15000	11300	13000	0.59
35	50207R	55207R	110	83	11	48	6.5	M8x1.00	20	25	35	43.5	23.5	8.5	67	69	19700	15300	12800	0.74
35	50207N	55207N	118	92	14	48	6.5	M8x1.00	20	25	35	43.5	23.5	8.5	67	69	19700	15300	13000	0.90
40	50208SR	55208SR	110	77	11	53	7	M8x1.00	19	25	36	44	25	9	68	70	22400	17900	10000	0.94
40	50208R	55208R	110	83	11	53	7	M8x1.00	20	25	35	45	25	9	67	69	22400	17900	12500	0.90
40	50208N	55208N	118	92	14	53	7	M8x1.00	20	25	35	45	25	9	67	69	22400	17900	12800	1.00
40	50208FR	55208FR	130	101.5	14	53	7	M8x1.00	20	25	35	45	25	9	67	69	22400	17900	12500	0.98

CHROME STEEL BEARING WITH ECCENTRIC RING (POLYAMIDE)

20	50204SRB	55204SRB	86	63	11	33.3	5	M6x0.75	16	19	25	39.9	23.9	7	50	52	9850	6580	12000	0.29
20	50204ARB	55204ARB	98	70	11	33.3	5	M6x0.75	16	19	25	39.9	23.9	7	50	52	9850	6580	12000	0.32
25	50205SRB	55205SRB	86	63	11	38.1	5	M6x0.75	15	19	25	38.4	23.4	7.5	50	52	10800	7800	12000	0.25
25	50205ARB	55205ARB	98	70	11	38.1	5	M6x0.75	15	19	25	38.4	23.4	7.5	50	52	10800	7800	13000	0.45
25	50205RB	55205RB	110	83	11	38.1	5	M6x0.75	19	25	31	42.4	23.4	7.5	53	55	10800	7800	13000	0.50
30	50206/OH	55206/OH	110	77	11	44.5	6	M6x0.75	22	25	36	49.7	27.7	8	68	70	15000	11300	12000	0.73
30	50206RB	55206RB	110	83	11	44.5	6	M6x0.75	18	25	31	45.7	27.7	8	53	55	15000	11300	13000	0.66
35	50207RB	55207RB	110	83	11	55.6	6.5	M8x1.00	20	25	35	50.4	30.4	8.5	67	69	19700	15300	12800	0.80
35	50207NB	55207NB	118	92	14	55.6	6.5	M8x1.00	20	25	35	50.4	30.4	8.5	67	69	19700	15300	13000	0.95
40	50208/OH	55208/OH	110	77	11	60.3	6.5	M8x1.00	19	25	36	53.7	34.7	9	68	70	22400	17900	10000	0.98
40	50208RB	55208RB	110	83	11	60.3	6.5	M8x1.00	20	25	35	54.7	34.7	9	67	69	22400	17900	12500	1.10
40	50208NB	55208NB	118	92	14	60.3	6.5	M8x1.00	20	25	35	54.7	34.7	9	67	69	22400	17900	12800	1.15
40	50208FRB	55208FRB	130	101.5	14	60.3	6.5	M8x1.00	20	25	35	54.7	34.7	9	67	69	22400	17900	12500	1.12

CHROME STEEL BEARING WITH GRUB SCREWS (POLYPROPYLENE)

20	60204SR	65204SR	86	63	11	29	5	M6x0.75	16	19	25	34	18	7	50	52	9850	6580	6100	0.28
25	60205AR	65205AR	98	70	11	34	5.5	M6x0.75	15	19	25	34.5	19.5	7.5	50	52	10800	7800	6100	0.42
30	60206R	65206R	110	83	11	40.3	6	M6x0.75	18	25	31	40	22	8	53	55	15000	11300	6000	0.59
35	60207R	65207R	110	83	11	48	6.5	M8x1.00	20	25	35	43.5	23.5	8.5	67	69	19700	15300	6000	0.74
40	60208R	65208R	110	83	11	53	7	M8x1.00	20	25	35	45	25	9	67	69	22400	17900	5800	0.90

CHROME STEEL BEARING WITH ECCENTRIC RING (POLYPROPYLENE)

20	60204SRB	65204SRB	86	63	11	33.3	5	M6x0.75	16	19	25	39.9	23.9	7	50	52	9850	6580	6100	0.29
25	60205ARB	65205ARB	98	70	11	38.1	5	M6x0.75	15	19	25	38.4	23.4	7.5	50	52	10800	7800	6100	0.45
30	60206RB	65206RB	110	83	11	44.5	6	M6x0.75	18	25	31	45.7	27.7	8	53	55	15000	11300	6000	0.66
35	60207RB	65207RB	110	83	11	55.6	6.5	M8x1.00	20	25	35	50.4	30.4	8.5	67	69	19700	15300	6000	0.80
40	60208RB	65208RB	110	83	11	60.3	6.5	M8x1.00	20	25	35	54.7	34.7	9	67	69	22400	17900	5800	1.10

* MAX. RADIAL LOAD CAPACITY OF HOUSING: Values indicated in the table above, are obtained at 23°C. Strength of housing indicated on [page 115](#).

MAINTENANCE FREE

WATERPROOF



TECHNICAL INFORMATION for UCF-RL

- **Resistance to corrosion:**
 - Polyamide version (PA): good resistance to many corrosive chemicals such as water, oils, greases, petrol, milk, wine, alcoholic beverages.
 - Polypropylene version (PP): excellent resistance to highly corrosive chemicals such as acids, organic liquids, detergents.
- **Load capacity:**
 - Housings in PA have a higher load capacity than housings in PP. See tables.
- **Continuous operating temperature:**
 - All our bearings can be used at temperatures between 0°C and +80°C. For lower or higher temperatures please consult our Engineering Department.
- **Economical operation.**
 - Long life bearing insert.
- **Self-alignment:**
 - Max misalignment between shaft and housing: 2.0°.
- **Concept and design to meet all safety requirements.**
- **Interchangeable with standard cast iron flanged supports.**
- **Maintenance free bearing insert.**
- **Completely sealed units.**
- **Ball bearing pre-lubricated with long-life grease, which is ideal in applications in humid conditions, with water, alkaline or acid solutions.**



WATERPROOF



**MAINTENANCE
FREE**

SEE ALSO...

Accessories: [p. 110](#)

Features, lubrication and maintenance: [p. 112](#)

Mounting instruction: [p. 113 - 114](#)

Calculation of load capacity, bearing life: [p. 115 - 116](#)

Chemical resistance: [p. 120 - 121](#)

COMPONENTS

- 1 Housing in reinforced polyamide (Housing in reinforced polypropylene available on request).
- 2 Adjustable chrome steel or stainless steel ball bearing, pre-lubricated. Can be re-lubricated by means of grease-nipple or a quick coupler.
- 4 Clip-on safety cap.
- 5 Spacers from nickel plated brass to reinforce fixing holes.
- 7 Washer UNI 6592, stainless steel AISI 304-DIN 1.4301.
- 8 Rotary shaft seal ring with extra dust-protection lip in NBR rubber.
- 9 Heavy duty O-Ring in NBR rubber.

UCF-RL

MAINTENANCE FREE - WATERPROOF

POLYAMIDE HOUSING

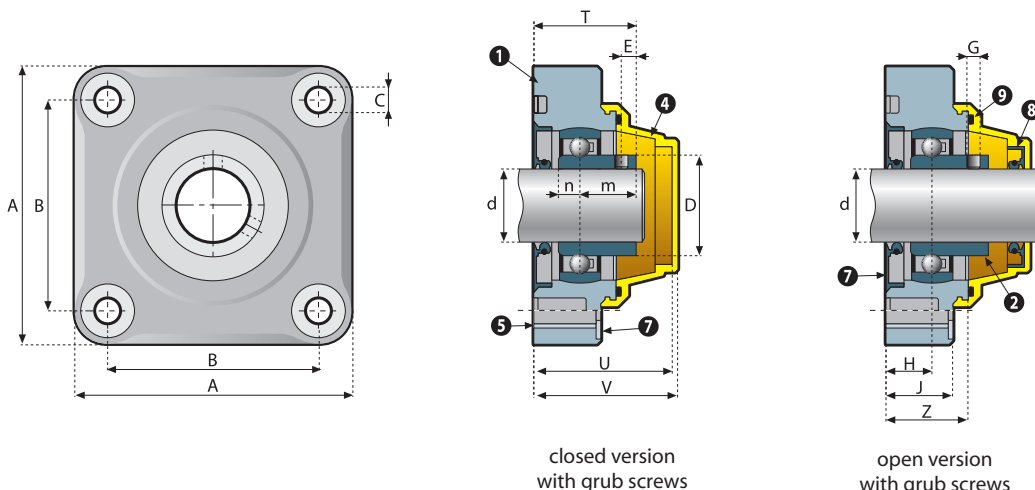


UCF-RL

MAINTENANCE FREE - WATERPROOF

POLYPROPYLENE HOUSING





Preferred types, readily available (codes marked in red)

Ø d mm	code version		dimension (mm)														bearing load ratings		housing load rating max.N*	weight (Kg)
	closed	open	A	B	C	D	E	G	H	J	Z	T	m	n	U	V	dynamic C (N)	static Co (N)		
CHROME STEEL BEARING WITH GRUB SCREWS (POLYAMIDE)																				
20	50204SRL	55204SRL	86	63	11	29	5	M6x0.75	16	19	25	34	18	7	50	52	9850	6580	12000	0.28
25	50205SRL	55205SRL	98	70	11	34	5.5	M6x0.75	15	19	25	34.5	19.5	7.5	50	52	10800	7800	12000	0.42
30	50206SRL	55206SRL	110	77	11	40.3	6	M6x0.75	22	25	36	44	22	8	68	70	15000	11300	12000	0.63
30	50206RL	55206RL	110	83	11	40.3	6	M6x0.75	18	25	31	40	22	8	53	55	15000	11300	13000	0.59
35	50207NL	55207NL	110	83	11	48	6.5	M8x1.00	20	25	35	43.5	23.5	8.5	67	69	19700	15300	13000	0.74
40	50208SRL	55208SRL	110	77	11	53	7	M8x1.00	19	25	36	44	25	9	68	70	22400	17900	10000	0.94
40	50208RL	55208RL	110	83	11	53	7	M8x1.00	20	25	35	45	25	9	67	69	22400	17900	12500	0.90
40	50208NL	55208NL	118	92	14	53	7	M8x1.00	20	25	35	45	25	9	67	69	22400	17900	12800	1.00
40	50208FRL	55208FRL	130	101.5	14	53	7	M8x1.00	20	25	35	45	25	9	67	69	22400	17900	12500	0.98

* **MAX. RADIAL LOAD CAPACITY OF HOUSING:** Values indicated in the table above, are obtained at 23°C. Strength of housing indicated on [page 115](#).

Preferred types, readily available (codes marked in red)

Ø d mm	code version		dimension (mm)														bearing load ratings		housing load rating max.N*	weight (Kg)
	closed	open	A	B	C	D	E	G	H	J	Z	T	m	n	U	V	dynamic C (N)	static Co (N)		
CHROME STEEL BEARING WITH GRUB SCREWS (POLYPROPYLENE)																				
20	60204SRL	65204SRL	86	63	11	29	5	M6x0.75	16	19	25	34	18	7	50	52	9850	6580	6100	0.28
25	60205SRL	65205SRL	98	70	11	34	5.5	M6x0.75	15	19	25	34.5	19.5	7.5	50	52	10800	7800	6100	0.42
30	60206SRL	65206SRL	110	77	11	40.3	6	M6x0.75	22	25	36	44	22	8	68	70	15000	11300	6100	0.63
30	60206RL	65206RL	110	83	11	40.3	6	M6x0.75	18	25	31	40	22	8	53	55	15000	11300	6200	0.59
35	60207RL	65207RL	110	83	11	55.6	6.5	M8x1.00	20	25	35	50.4	30.4	8.5	67	69	19700	15300	6000	0.80
40	60208SRL	65208SRL	110	77	11	53	7	M8x1.00	19	25	36	44	25	9	68	70	22400	17900	5800	0.94
40	60208RL	65208RL	110	83	11	53	7	M8x1.00	20	25	35	45	25	9	67	69	22400	17900	6150	0.90
40	60208NL	65208NL	118	92	14	53	7	M8x1.00	20	25	35	45	25	9	67	69	22400	17900	6180	1.00
40	60208FRL	65208FRL	130	101.5	14	53	7	M8x1.00	20	25	35	45	25	9	67	69	22400	17900	6150	0.98

* **MAX. RADIAL LOAD CAPACITY OF HOUSING:** Values indicated in the table above, are obtained at 23°C. Strength of housing indicated on [page 115](#).

WATERPROOF



TECHNICAL INFORMATION for F

- **For shouldered shafts.**
- **Resistance to corrosion:**
 - Polyamide version (PA): good resistance to many corrosive chemicals such as water, oils, greases, petrol, milk, wine, alcoholic beverages.
 - Polypropylene version (PP): excellent resistance to highly corrosive chemicals such as acids, organic liquids, detergents.
- **Load capacity:**
 - Housings in PA have a higher load capacity than housings in PP. See tables.
- **Continuous operating temperature:**
 - All our bearings can be used at temperatures between 0°C and +80°C. For lower or higher temperatures please consult our Engineering Department.
- **Economical operation.**
- **Concept and design to meet all safety requirements.**
- **Interchangeable with standard cast iron flanged supports.**
- **Ball bearing pre-lubricated with long-life grease, which is ideal in applications in humid conditions, with water, alkaline or acid solutions.**
- **Completely sealed units.**



WATERPROOF

SEE ALSO...

Accessories: [p. 110](#)
 Features, lubrication and maintenance: [p. 112](#)
 Mounting instruction: [p. 113 - 114](#)
 Calculation of load capacity, bearing life: [p. 115 - 116](#)
 Chemical resistance: [p. 120 - 121](#)

COMPONENTS

- ① Housing in reinforced polyamide (Housing in reinforced polypropylene available on request).
- ② Adjustable chrome steel or stainless steel ball bearing, pre-lubricated. Can be re-lubricated by means of grease-nipple or a quick coupler.
- ③ Ball-type grease-nipple or quick coupler from nickel plated brass (available upon request) to take semi-rigid hoses \varnothing 4 mm in Rilsan (see accessories on [page 110](#)). Version with stainless steel bearing has a stainless steel grease nipple.
- ⑤ Spacers from nickel plated brass to reinforce fixing holes.
- ⑦ Washer UNI 6592, stainless steel AISI 304-DIN 1.4301.
- ⑧ Rotary shaft seal with extra dust-protection lip in NBR rubber.
- ⑨ Washer.

F WATERPROOF

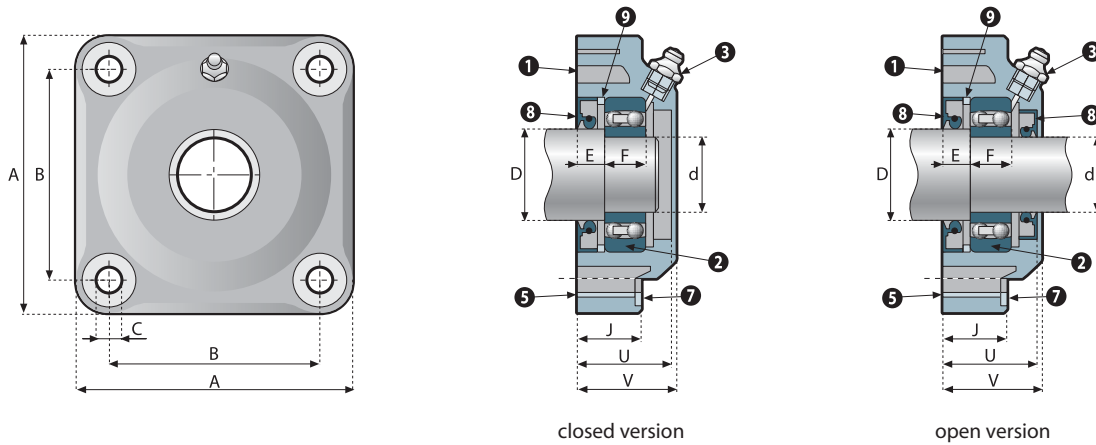
POLYAMIDE HOUSING



F WATERPROOF

POLYPROPYLENE HOUSING





Preferred types, readily available (codes marked in red)

Ø d mm	code version		dimension (mm)									bearing load ratings		housing load rating max. N*	weight (Kg)
	closed	open	A	B	C	D	E	F	J	U	V	dynamic C (N)	static Co (N)		
CHROME STEEL FLANGED BEARING FOR SHOULDERED SHAFTS (POLYAMIDE)															
25	51205A	56205A	98	70	11	30	11	15	25	33	36	12000	4000	12900	0.40
25	51205	56205	110	83	11	30	10	15	25	37	39	12000	4000	13000	0.50
30	51206	56206	110	83	11	35	11	16	25	37	39	15500	5500	12000	0.56
35	51207	56207	110	83	11	40	10	17	25	37	39	15900	6500	11500	0.67
40	51208	56208	110	83	11	45	6	18	25	37	39	19000	8000	11500	0.76

* **MAX. RADIAL LOAD CAPACITY OF HOUSING:** Values indicated in the table above, are obtained at 23°C. Strength of housing indicated on [page 115](#).

Ø d mm	code version		dimension (mm)									bearing load ratings		housing load rating max. N*	weight (Kg)
	closed	open	A	B	C	D	E	F	J	U	V	dynamic C (N)	static Co (N)		
CHROME STEEL FLANGED BEARING FOR SHOULDERED SHAFTS (POLYPROPYLENE)															
25	61205A	66205A	98	70	11	30	11	15	25	33	36	12000	4000	6000	0.40

* **MAX. RADIAL LOAD CAPACITY OF HOUSING:** Values indicated in the table above, are obtained at 23°C. Strength of housing indicated on [page 115](#).

STANDARD



TECHNICAL INFORMATION for UCFQ

- **Resistance to corrosion:**
 - Polyamide version (PA): good resistance to many corrosive chemicals such as water, oils, greases, petrol, milk, wine, alcoholic beverages.
- **High load capacity.**
- **Continuous operating temperature:**
 - All our bearings can be used at temperatures between 0°C and +80°C. For lower or higher temperatures please consult our Engineering Department.
- **Self-alignment:**
 - Max misalignment between shaft and housing: 2.5°.
- **Low maintenance and trouble-free operation.**
- **Easy Cleaning.**
- **Ball bearing pre-lubricated with long-life grease, which is ideal in applications in humid conditions, with water, alkaline or acid solutions.**
- **Concept and design to meet all safety requirements.**
- **Interchangeable with standard cast iron flanged supports.**
- **Application in the food, beverage and pharmaceutical industry.**

SEE ALSO...

Accessories: [p. 110](#)
 Features, lubrication and maintenance: [p. 112](#)
 Mounting instruction: [p. 113 - 114](#)
 Calculation of load capacity, bearing life: [p. 115 - 116](#)
 Chemical resistance: [p. 120 - 121](#)

COMPONENTS

- 1 Housing in reinforced polyamide (Housing in reinforced polypropylene available on request).
- 2 Adjustable chrome steel or stainless steel ball bearing, pre-lubricated. Can be re-lubricated by means of grease-nipple or a quick coupler.
- 3 Ball-type grease-nipple or quick coupler from nickel plated brass (available upon request) to take semi-rigid hoses \varnothing 4 mm in Rilsan (see accessories on [page 110](#)). Version with stainless steel bearing has a stainless steel grease nipple.
- 4 Clip-on safety cap (accessory).
- 5 Spacers from nickel plated brass to reinforce fixing holes.
- 6 Polyethylene washer for grease-nipple.

UCFQ
STANDARD

POLYAMIDE HOUSING



accessory

COLOUR

- Bearing support in black.
- Safety cap in yellow.
- For sufficient quantities parts can be produced in different colours.

UCFQ
STANDARD

NOLU-CLEAN is a new antimicrobial material of improved hygiene. For detailed information refer to [page 7](#).

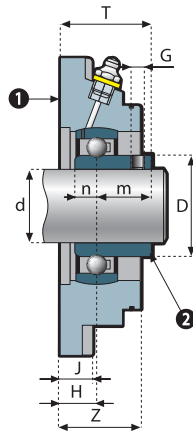
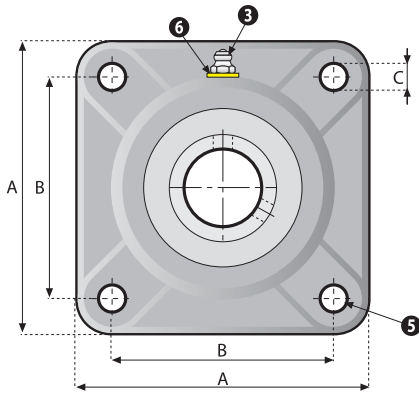
NOLU-CLEAN HOUSING



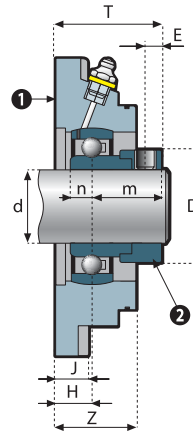
accessory

COLOUR

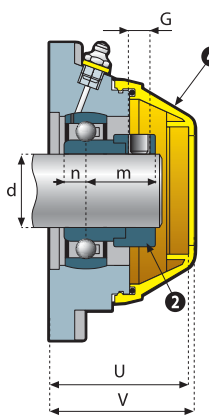
- Bearing support in white.
- Safety cap in white.



version with grub screws



version with eccentric ring



cap with external fit

Preferred types, readily available (codes marked in red)

Accessories



Ø d mm	support code	dimension (mm)														bearing load ratings		housing load rating max. N*	weight (Kg)	closed safety cap code	open safety cap code
		A	B	C	D	E	G	H	J	Z	T	m	n	U	V	dynamic C (N)	static Co (N)				
CHROME STEEL BEARING WITH GRUB SCREWS (POLYAMIDE)																					
12	50201V-EC	76	54	11	24.6	4	M5x0.80	16.5	10	26	32.5	16	6	47	49	7300	4760	9000	0.18	50008	50008.APE
15	50202V-EC	76	54	11	24.6	4	M5x0.80	16.5	10	26	32.5	16	6	47	49	7300	4760	9000	0.18	50008	50008.APE
16	50016V-EC	76	54	11	24.6	4	M5x0.80	16.5	10	26	32.5	16	6	47	49	7300	4760	9000	0.18	50008	50008.APE
17	50203V-EC	76	54	11	24.6	4	M5x0.80	16.5	10	26	32.5	16	6	47	49	7300	4760	9000	0.18	50008	50008.APE
20	50204V-EC	86	63.5	11	29	5	M6x0.75	15.5	10	26	33.5	18	7	47.5	49.5	9850	6580	10000	0.22	50007	50007.APE
25	50205V-EC	95	70	11	34	5.5	M6x0.75	17	12.5	29	36.5	19.5	7.5	52.2	54.2	10800	7800	10800	0.32	50011	50011.APE
30	50206V-EC	108	82.5	11	40.3	6	M6x0.75	14.5	12.5	29	36.5	22	8	50.7	52.7	15000	11300	11500	0.48	50001	50001.APE
35	50207V-EC	118	92	14	48	6.5	M8x1.00	18	16	33	41.5	23.5	8.5	63.7	65.7	19700	15300	12000	0.63	50004	50004.APE
40	50208V-EC	130	101.5	14	53	7	M8x1.00	18	16	35	43	25	9	63.2	65.2	22400	17900	12500	0.80	50002	50002.APE
CHROME STEEL BEARING WITH ECCENTRIC RING (POLYAMIDE)																					
12	50201VB-EC	76	54	11	28.6	5	M6x0.75	16.5	10	26	39.1	22.6	6	47	49	7300	4760	9000	0.21	50008	50008.APE
15	50202VB-EC	76	54	11	28.6	5	M6x0.75	16.5	10	26	39.1	22.6	6	47	49	7300	4760	9000	0.21	50008	50008.APE
16	50016VB-EC	76	54	11	28.6	5	M6x0.75	16.5	10	26	39.1	22.6	6	47	49	7300	4760	9000	0.21	50008	50008.APE
17	50203VB-EC	76	54	11	28.6	5	M6x0.75	16.5	10	26	39.1	22.6	6	47	49	7300	4760	9000	0.21	50008	50008.APE
20	50204VB-EC	86	63.5	11	33.3	5	M6x0.75	15.5	10	26	39.4	23.9	7	47.5	49.5	9850	6580	10000	0.25	50007	50007.APE
25	50205VB-EC	95	70	11	38.1	5	M6x0.75	17	12.5	29	40.4	23.4	7.5	52.2	54.2	10800	7800	10800	0.37	50011	50011.APE
30	50206VB-EC	108	82.5	11	44.5	6	M6x0.75	14.5	12.5	29	42.2	27.7	8	50.7	52.7	15000	11300	11500	0.52	50001	50001.APE
35	50207VB-EC	118	92	14	55.6	6.5	M8x1.00	18	16	33	48.4	30.4	8.5	63.7	65.7	19700	15300	12000	0.69	50004	50004.APE
40	50208VB-EC	130	101.5	14	60.3	6.5	M8x1.00	18	16	35	52.7	34.7	9	63.2	65.2	22400	17900	12500	0.87	50002	50002.APE
STAINLESS STEEL BEARING WITH GRUB SCREWS (POLYAMIDE)																					
20	50204V/SS-EC	86	63.5	11	29	5	M6x0.75	15.5	10	26	34.2	18.7	7	47.5	49.5	7300	4900	9000	0.22	50007	50007.APE
25	50205V/SS-EC	95	70	11	34	5.5	M6x0.75	17	12.5	29	36.5	19.5	7.5	52.2	54.2	8100	5800	10000	0.32	50011	50011.APE
30	50206V/SS-EC	108	82.5	11	40.3	6	M6x0.75	14.5	12.5	29	36.5	22	8	50.7	52.7	11250	8400	10800	0.48	50001	50001.APE
35	50207V/SS-EC	118	92	14	48	6.5	M8x1.00	18	16	33	41.5	23.5	8.5	63.7	65.7	14700	11400	11500	0.63	50004	50004.APE
40	50208V/SS-EC	130	101.5	14	53	7	M8x1.00	18	16	35	43	25	9	63.2	65.2	16800	13400	12500	0.80	50002	50002.APE
CHROME STEEL BEARING WITH GRUB SCREWS (NOLU-CLEAN)																					
25	50205CG-EC	95	70	11	34	5.5	M6x0.75	17	12.5	29	36.5	19.5	7.5	52.2	54.2	10800	7800	10800	0.32	50011CG	50011.APE/CG
30	50206CG-EC	108	82.5	11	40.3	6	M6x0.75	14.5	12.5	29	36.5	22	8	50.7	52.7	15000	11300	11500	0.48	50001CG	50001.APE/CG
40	50208CG-EC	130	101.5	14	53	7	M8x1.00	18	16	35	43	25	9	63.2	65.2	22400	17900	12500	0.80	50002CG	50002.APE/CG
CHROME STEEL BEARING WITH ECCENTRIC RING (NOLU-CLEAN)																					
25	50205CGB-EC	95	70	11	38.1	5	M6x0.75	17	12.5	29	40.4	23.4	7.5	52.2	54.2	10800	7800	10800	0.37	50011CG	50011.APE/CG
30	50206CGB-EC	108	82.5	11	44.5	6	M6x0.75	14.5	12.5	29	42.2	27.7	8	50.7	52.7	15000	11300	11500	0.52	50001CG	50001.APE/CG
40	50208CGB-EC	130	101.5	14	60.3	6.5	M8x1.00	18	16	35	52.7	34.7	9	63.2	65.2	22400	17900	12500	0.87	50002CG	50002.APE/CG
STAINLESS STEEL BEARING WITH GRUB SCREWS (NOLU-CLEAN)																					
25	50205CG/SS-EC	95	70	11	34	5.5	M6x0.75	17	12.5	29	36.5	19.5	7.5	52.2	54.2	8100	5800	10000	0.32	50011CG	50011.APE/CG
30	50206CG/SS-EC	108	82.5	11	40.3	6	M6x0.75	14.5	12.5	29	36.5	22	8	50.7	52.7	11250	8400	10800	0.48	50001CG	50001.APE/CG
40	50208CG/SS-EC	130	101.5	14	53	7	M8x1.00	18	16	35	43	25	9	63.2	65.2	16800	13400	12500	0.80	50002CG	50002.APE/CG

* MAX. RADIAL LOAD CAPACITY OF HOUSING: Values indicated in the table above, are obtained at 23°C. Strength of housing indicated on [page 115](#).

UCFQ-R

WATERPROOF



TECHNICAL INFORMATION for UCFQ-R

- **Resistance to corrosion:**
 - Polyamide version (PA): good resistance to many corrosive chemicals such as water, oils, greases, petrol, milk, wine, alcoholic beverages.
- **High load capacity.**
- **Continuous operating temperature:**
 - All our bearings can be used at temperatures between 0°C and +80°C. For lower or higher temperatures please consult our Engineering Department.
- **Low maintenance and trouble-free operation.**
- **Easy Cleaning.**
- **Ball bearing pre-lubricated with long-life grease, which is ideal in applications in humid conditions, with water, alkaline or acid solutions.**
- **Concept and design to meet all safety requirements.**
- **Interchangeable with standard cast iron flanged supports.**
- **Application in the food, beverage and pharmaceutical industry.**
- **Self-alignment:**
 - Max misalignment between shaft and housing: 2.0°.
- **Completely sealed units.**



WATERPROOF

SEE ALSO...

Accessories: [p. 110](#)
Features, lubrication and maintenance: [p. 112](#)
Mounting instruction: [p. 113 - 114](#)
Calculation of load capacity, bearing life: [p. 115 - 116](#)
Chemical resistance: [p. 120 - 121](#)

COMPONENTS

- 1 Housing in reinforced polyamide (Housing in reinforced polypropylene available on request).
- 2 Adjustable chrome steel or stainless steel ball bearing, pre-lubricated. Can be re-lubricated by means of grease-nipple or a quick coupler.
- 3 Ball-type grease-nipple or quick coupler from nickel plated brass (available upon request) to take semi-rigid hoses \varnothing 4 mm in Rilsan (see accessories on [page 110](#)). Version with stainless steel bearing has a stainless steel grease nipple.
- 4 Clip-on safety cap.
- 5 Spacers from nickel plated brass to reinforce fixing holes.
- 6 Polyethylene washer for grease-nipple.
- 8 Rotary shaft seal ring with extra dust-protection lip in NBR rubber.
- 9 Heavy duty O-Ring in NBR rubber.

UCFQ-R WATERPROOF

POLYAMIDE HOUSING

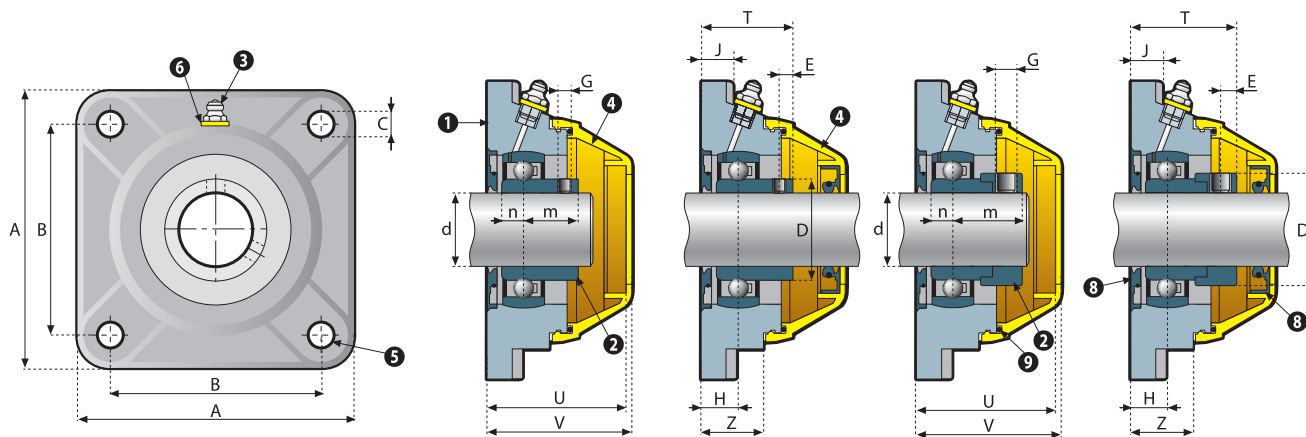


UCFQ-R WATERPROOF

NOLU-CLEAN is a new antimicrobial material of improved hygiene. For detailed information refer to [page 7](#).

NOLU-CLEAN HOUSING





closed version with grub screws open version with grub screws closed version with eccentric ring open version with eccentric ring

Ø d mm	code version		dimension (mm)													bearing load ratings		housing load rating max. N*	weight (Kg)
	closed	open	A	B	C	D	E	G	H	J	Z	T	m	n	U	V	dynamic C (N)		

CHROME STEEL BEARING WITH GRUB SCREWS (POLYAMIDE)

12	50201VR-EC	55201VR-EC	76	54	11	24.6	4	M5x0.80	16.5	10	26	32.5	16	6	47.0	49.0	7300	4760	9000	0.19
15	50202VR-EC	55202VR-EC	76	54	11	24.6	4	M5x0.80	16.5	10	26	32.5	16	6	47.0	49.0	7300	4760	9000	0.19
16	50016VR-EC	55016VR-EC	76	54	11	24.6	4	M5x0.80	16.5	10	26	32.5	16	6	47.0	49.0	7300	4760	9000	0.19
17	50203VR-EC	55203VR-EC	76	54	11	24.6	4	M5x0.80	16.5	10	26	32.5	16	6	47.0	49.0	7300	4760	9000	0.19
20	50204VR-EC	55204VR-EC	86	63.5	11	29	5	M6x0.75	15.5	10	26	33.5	18	7	47.5	49.5	9850	6580	10000	0.23
25	50205VR-EC	55205VR-EC	95	70	11	34	5	M6x0.75	17	12.5	29	36.5	19.5	7.5	52.2	54.2	10800	7800	10800	0.34
30	50206VR-EC	55206VR-EC	108	82.5	11	40.3	6	M6x0.75	14.5	12.5	29	36.5	22	8	50.7	52.7	15000	11300	11500	0.50
35	50207VR-EC	55207VR-EC	118	92	14	48	6.5	M8x1.00	18	16	33	41.5	23.5	8.5	63.7	65.7	19700	15300	12000	0.65
40	50208VR-EC	55208VR-EC	130	101.5	14	53	7	M8x1.00	18	16	35	43	25	9	63.2	65.2	22400	17900	12500	0.82

CHROME STEEL BEARING WITH ECCENTRIC RING (POLYAMIDE)

12	50201VRB-EC	55201VRB-EC	76	54	11	28.6	5	M6x0.75	16.5	10	26	39.1	22.6	6	47.0	49.0	7300	4760	9000	0.22
15	50202VRB-EC	55202VRB-EC	76	54	11	28.6	5	M6x0.75	16.5	10	26	39.1	22.6	6	47.0	49.0	7300	4760	9000	0.22
16	50016VRB-EC	55016VRB-EC	76	54	11	28.6	5	M6x0.75	16.5	10	26	39.1	22.6	6	47.0	49.0	7300	4760	9000	0.22
17	50203VRB-EC	55203VRB-EC	76	54	11	28.6	5	M6x0.75	16.5	10	26	39.1	22.6	6	47.0	49.0	7300	4760	9000	0.22
20	50204VRB-EC	55204VRB-EC	86	63.5	11	33.3	5	M6x0.75	15.5	10	26	39.4	23.9	7	47.5	49.5	9850	6580	10000	0.26
25	50205VRB-EC	55205VRB-EC	95	70	11	38.1	5	M6x0.75	17	12.5	29	40.4	23.4	7.5	52.2	54.2	10800	7800	10800	0.39
30	50206VRB-EC	55206VRB-EC	108	82.5	11	44.5	6	M6x0.75	14.5	12.5	29	42.2	27.7	8	50.7	52.7	15000	11300	11500	0.54
35	50207VRB-EC	55207VRB-EC	118	92	14	55.6	6.5	M8x1.00	18	16	33	48.4	30.4	8.5	63.7	65.7	19700	15300	12000	0.71
40	50208VRB-EC	55208VRB-EC	130	101.5	14	60.3	6.5	M8x1.00	18	16	35	52.7	34.7	9	63.2	65.2	22400	17900	12500	0.89

* MAX. RADIAL LOAD CAPACITY OF HOUSING: Values indicated in the table above, are obtained at 23°C. Strength of housing indicated on [page 115](#).

Ø d mm	code version		dimension (mm)													bearing load ratings		housing load rating max. N*	weight (Kg)
	closed	open	A	B	C	D	E	G	H	J	Z	T	m	n	U	V	dynamic C (N)		

CHROME STEEL BEARING WITH GRUB SCREWS (NOLU-CLEAN)

20	50204CGR-EC	55204CGR-EC	86	63.5	11	29	5	M6x0.75	15.5	10	26	33.5	18	7	47.5	49.5	9850	6580	10000	0.23
25	50205CGR-EC	55205CGR-EC	95	70	11	34	5	M6x0.75	17	12.5	29	36.5	19.5	7.5	52.2	54.2	10800	7800	10800	0.34
30	50206CGR-EC	55206CGR-EC	108	82.5	11	40.3	6	M6x0.75	14.5	12.5	29	36.5	22	8	50.7	52.7	15000	11300	11500	0.50
35	50207CGR-EC	55207CGR-EC	118	92	14	48	6.5	M8x1.00	18	16	33	41.5	23.5	8.5	63.7	65.7	19700	15300	12000	0.65
40	50208CGR-EC	55208CGR-EC	130	101.5	14	53	7	M8x1.00	18	16	35	43	25	9	63.2	65.2	22400	17900	12500	0.82

CHROME STEEL BEARING WITH ECCENTRIC RING (NOLU-CLEAN)

20	50204CGRB-EC	55204CGRB-EC	86	63.5	11	33.3	5	M6x0.75	15.5	10	26	39.4	23.9	7	47.5	49.5	9850	6580	10000	0.26
25	50205CGRB-EC	55205CGRB-EC	95	70	11	38.1	5	M6x0.75	17	12.5	29	40.4	23.4	7.5	52.2	54.2	10800	7800	10800	0.39
30	50206CGRB-EC	55206CGRB-EC	108	82.5	11	44.5	6	M6x0.75	14.5	12.5	29	42.2	27.7	8	50.7	52.7	15000	11300	11500	0.54
35	50207CGRB-EC	55207CGRB-EC	118	92	14	55.6	6.5	M8x1.00	18	16	33	48.4	30.4	8.5	63.7	65.7	19700	15300	12000	0.71
40	50208CGRB-EC	55208CGRB-EC	130	101.5	14	60.3	6.5	M8x1.00	18	16	35	52.7	34.7	9	63.2	65.2	22400	17900	12500	0.89

* MAX. RADIAL LOAD CAPACITY OF HOUSING: Values indicated in the table above, are obtained at 23°C. Strength of housing indicated on [page 115](#).

UCFQ-RL

MAINTENANCE FREE WATERPROOF VERSION



TECHNICAL INFORMATION for UCFQ-RL

- **Resistance to corrosion:**
 - Polyamide version (PA): good resistance to many corrosive chemicals such as water, oils, greases, petrol, milk, wine, alcoholic beverages.
- **High load capacity.**
- **Continuous operating temperature:**
 - All our bearings can be used at temperatures between 0°C and +80°C. For lower or higher temperatures please consult our Engineering Department.
- **Low maintenance and trouble-free operation.**
- **Easy Cleaning.**
- **Ball bearing pre-lubricated with long-life grease, which is ideal in applications in humid conditions, with water, alkaline or acid solutions.**
- **Concept and design to meet all safety requirements.**
- **Interchangeable with standard cast iron flanged supports.**
- **Application in the food, beverage and pharmaceutical industry.**
- **Maintenance free bearing insert.**
- **Self-alignment:**
 - Max misalignment between shaft and housing: 2.0°.
- **Completely sealed units.**



WATERPROOF



**MAINTENANCE
FREE**

SEE ALSO...

Accessories: [p. 110](#)
Features, lubrication and maintenance: [p. 112](#)
Mounting instruction: [p. 113 - 114](#)
Calculation of load capacity, bearing life: [p. 115 - 116](#)
Chemical resistance: [p. 120 - 121](#)

COMPONENTS

- 1 Housing in reinforced polyamide (Housing in reinforced polypropylene available on request).
- 2 Adjustable chrome steel or stainless steel ball bearing, pre-lubricated.
Can be re-lubricated by means of grease-nipple or a quick coupler.
- 4 Clip-on safety cap.
- 5 Spacers from nickel plated brass to reinforce fixing holes.
- 8 Rotary shaft seal ring with extra dust-protection lip in NBR rubber.
- 9 Heavy duty O-Ring in NBR rubber.
- 10 External housing in stainless steel AISI 304-DIN 1.4301.
- 11 Reinforced polypropylene housing.
- 12 Ball type grease nipple in stainless steel.

UCFQ-RL MAINTENANCE FREE - WATERPROOF

POLYAMIDE HOUSING

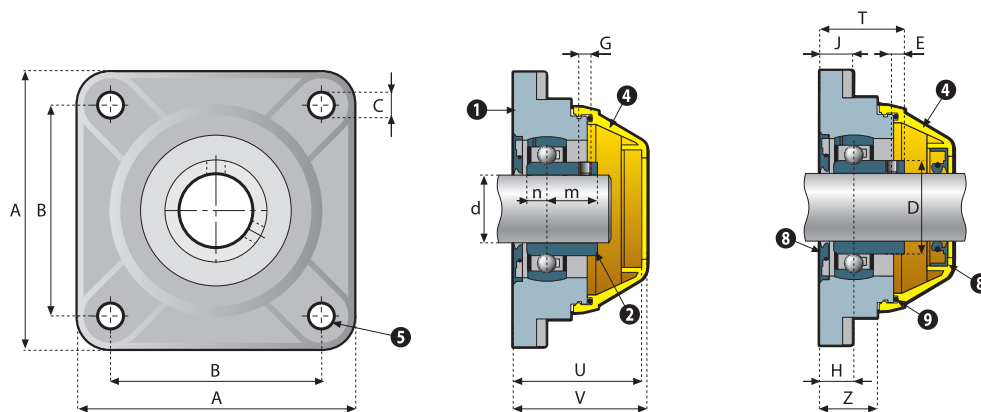


UCFQ-RL MAINTENANCE FREE - WATERPROOF

NOLU-CLEAN is a new antimicrobial material of improved hygiene.
For detailed information refer to [page 7](#).

NOLU-CLEAN HOUSING





closed version
with grub screws
cap with external fit

open version
with grub screws
cap with external fit

Ø d mm	code version		dimension (mm)														bearing load ratings		housing load rating max.N*	weight (Kg)
	closed	open	A	B	C	D	E	G	H	J	Z	T	m	n	U	V	dynamic C (N)	static Co (N)		

CHROME STEEL BEARING WITH GRUB SCREWS (POLYAMIDE)

20	50204VRL-EC	55204VRL-EC	86	63.5	11	29	5	M6x0.75	15.5	10	26	33.5	18	7	47.5	49.5	9850	6580	10000	0.23
25	50205VRL-EC	55205VRL-EC	95	70	11	34	5	M6x0.75	17	12.5	29	36.5	19.5	7.5	52.2	54.2	10800	7800	10800	0.34
30	50206VRL-EC	55206VRL-EC	108	82.5	11	40.3	6	M6x0.75	14.5	12.5	29	36.5	22	8	50.7	52.7	15000	11300	11500	0.50
35	50207VRL-EC	55207VRL-EC	118	92	14	48	6.5	M8x1.00	18	16	33	41.5	23.5	8.5	63.7	65.7	19700	15300	12000	0.65
40	50208VRL-EC	55208VRL-EC	130	101.5	14	53	7	M8x1.00	18	16	35	43	25	9	63.2	65.2	22400	17900	12500	0.82

* **MAX. RADIAL LOAD CAPACITY OF HOUSING:** Values indicated in the table above, are obtained at 23°C. Strength of housing indicated on [page 115](#).

Ø d mm	code version		dimension (mm)														bearing load ratings		housing load rating max.N*	weight (Kg)
	closed	open	A	B	C	D	E	G	H	J	Z	T	m	n	U	V	dynamic C (N)	static Co (N)		

CHROME STEEL BEARING WITH GRUB SCREWS (NOLU - CLEAN)

20	50204CGRL-EC	55204CGRL-EC	86	63.5	11	29	5	M6x0.75	15.5	10	26	33.5	18	7	47.5	49.5	9850	6580	10000	0.23
25	50205CGRL-EC	55205CGRL-EC	95	70	11	34	5	M6x0.75	17	12.5	29	36.5	19.5	7.5	52.2	54.2	10800	7800	10800	0.34
30	50206CGRL-EC	55206CGRL-EC	108	82.5	11	40.3	6	M6x0.75	14.5	12.5	29	36.5	22	8	50.7	52.7	15000	11300	11500	0.50
35	50207CGRL-EC	55207CGRL-EC	118	92	14	48	6.5	M8x1.00	18	16	33	41.5	23.5	8.5	63.7	65.7	19700	15300	12000	0.65
40	50208CGRL-EC	55208CGRL-EC	130	101.5	14	53	7	M8x1.00	18	16	35	43	25	9	63.2	65.2	22400	17900	12500	0.82

* **MAX. RADIAL LOAD CAPACITY OF HOUSING:** Values indicated in the table above, are obtained at 23°C. Strength of housing indicated on [page 115](#).

STANDARD



TECHNICAL INFORMATION for US

- **Resistance to corrosion:**
 - Excellent resistance to highly corrosive chemicals such as acids, organic liquids, detergents.
- **High load capacity.**
- **Continuous operating temperature:**
 - From -20°C to +70°C. This version maintains good dimensional stability at the maximum indicated temperature.
- **Economical operation:**
 - Long life bearing insert.
- **Self-alignment:**
 - Max misalignment between shaft and housing: 0.5°.
- **Concept and design to meet all safety requirements.**
- **Interchangeable with standard cast iron flanged supports.**
- **Ball bearing pre-lubricated with long-life grease, which is ideal in applications in humid conditions, with water, alkaline or acid solutions.**

COMPONENTS

- ① Housing in reinforced polyamide (Housing in reinforced polypropylene available on request).
- ② Adjustable chrome steel or stainless steel ball bearing, pre-lubricated. Can be re-lubricated by means of grease-nipple or a quick coupler.
- ③ Ball-type grease-nipple or quick coupler from nickel plated brass (available upon request) to take semi-rigid hoses \varnothing 4 mm in Rilsan (see accessories on [page 110](#)). Version with stainless steel bearing has a stainless steel grease nipple.
- ④ Clip-on safety cap (accessory).
- ⑥ Polyethylene washer for grease-nipple.
- ⑨ Heavy duty O-Ring.
- ⑩ External housing in stainless steel AISI 304-DIN 1.4301.
- ⑪ Reinforced polypropylene housing.
- ⑫ Ball type grease nipple in stainless steel.

US
STANDARD

POLYAMIDE HOUSING



accessory

COLOUR

- Bearing support in black.
- Safety cap in yellow.
- For sufficient quantities parts can be produced in different colours.

SEE ALSO...

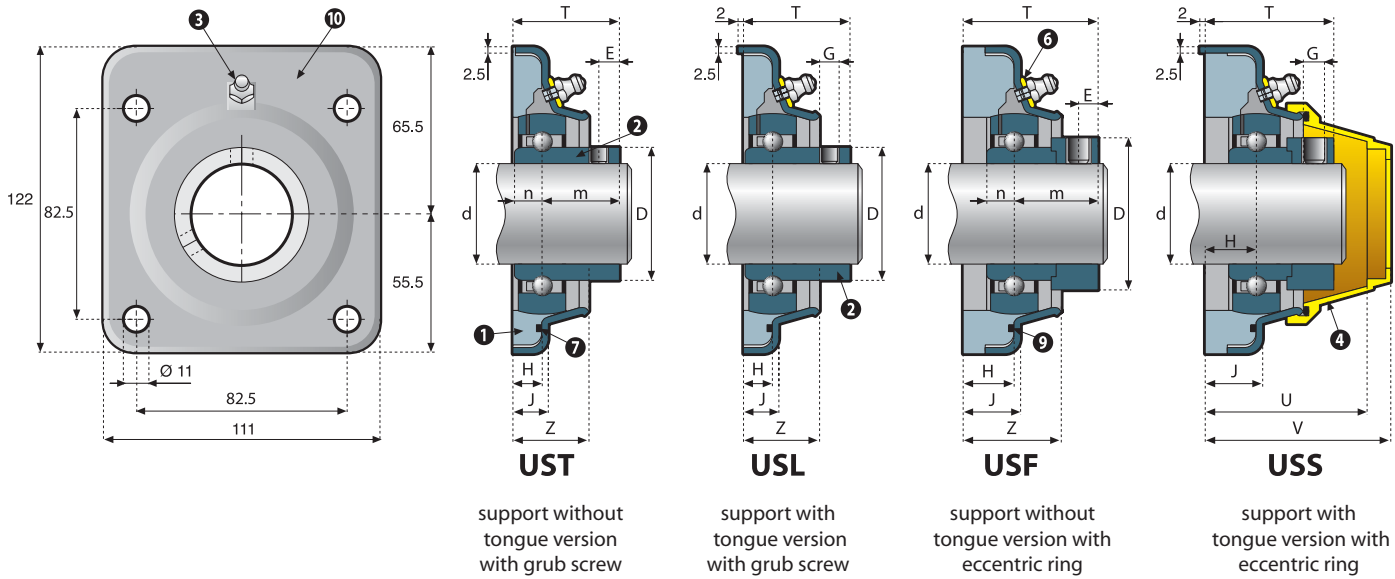
Accessories: [p. 110](#)

Features, lubrication and maintenance: [p. 112](#)

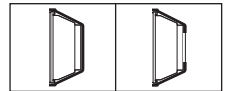
Mounting instruction: [p. 113 - 114](#)

Calculation of load capacity, bearing life: [p. 115 - 116](#)

Chemical resistance: [p. 120 - 121](#)



Accessories



Ø d mm	type	code	dimension (mm)											bearing load ratings		closed safety cap code	open safety cap code	
			D	E	G	H	J	Z	T	m	n	U	V	dynamic C (N)	static Co (N)			
CHROME STEEL BEARING WITH GRUB SCREWS (POLYAMIDE)																		
30	UST	51206T	40.3	6	M6	12	14.5	27	34	22	8	42	52	15000	11300	50011	50011.APE	
30	USL	51206L	40.3	6	M6	12	14.5	27	34	22	8	42	52	15000	11300	50011	50011.APE	
30	USF	51206F	40.3	6	M6	20	22.5	35	42	22	8	50	60	15000	11300	50011	50011.APE	
30	USS	51206S	40.3	6	M6	20	22.5	35	42	22	8	50	60	15000	11300	50011	50011.APE	
40	UST	51208T	53	7	M8	12	14.5	30.6	37	25	9	55.5	64.5	22400	17900	50004	50004.APE	
40	USL	51208L	53	7	M8	12	14.5	30.6	37	25	9	55.5	64.5	22400	17900	50004	50004.APE	
40	USF	51208F	53	7	M8	20	22.5	38.6	45	25	9	63.5	72.5	22400	17900	50004	50004.APE	
40	USS	51208S	53	7	M8	20	22.5	38.6	45	25	9	63.5	72.5	22400	17900	50004	50004.APE	
CHROME STEEL BEARING WITH ECCENTRIC RING (POLYAMIDE)																		
30	UST-B	51206TB	44.5	6	M6	12	14.5	27	39.7	27.7	8	42	52	15000	11300	50011	50011.APE	
30	USL-B	51206LB	44.5	6	M6	12	14.5	27	39.7	27.7	8	42	52	15000	11300	50011	50011.APE	
30	USF-B	51206FB	44.5	6	M6	20	22.5	35	47.7	27.7	8	50	60	15000	11300	50011	50011.APE	
30	USS-B	51206SB	44.5	6	M6	20	22.5	35	47.7	27.7	8	50	60	15000	11300	50011	50011.APE	
40	UST-B	51208TB	60.3	6.5	M8	12	14.5	30.6	46.7	34.7	9	55.5	64.5	22400	17900	50004	50004.APE	
40	USL-B	51208LB	60.3	6.5	M8	12	14.5	30.6	46.7	34.7	9	55.5	64.5	22400	17900	50004	50004.APE	
40	USF-B	51208FB	60.3	6.5	M8	20	22.5	38.6	54.7	34.7	9	63.5	72.5	22400	17900	50004	50004.APE	
40	USS-B	51208SB	60.3	6.5	M8	20	22.5	38.6	54.7	34.7	9	63.5	72.5	22400	17900	50004	50004.APE	

* **MAX. RADIAL LOAD CAPACITY OF HOUSING:** Values indicated in the table above, are obtained at 23°C. Strength of housing indicated on [page 115](#).

WATERPROOF



TECHNICAL INFORMATION for US-R

- **Resistance to corrosion:**
 - Excellent resistance to highly corrosive chemicals such as acids, organic liquids, detergents.
- **High load capacity.**
- **Continuous operating temperature:**
 - From -20°C to +70°C. This version maintains good dimensional stability at the maximum indicated temperature.
- **Economical operation:**
 - Long life bearing insert.
- **Self-alignment:**
 - Max misalignment between shaft and housing: 0.5°.
- **Concept and design to meet all safety requirements.**
- **Interchangeable with standard cast iron flanged supports.**
- **Completely sealed units.**
- **Ball bearing pre-lubricated with long-life grease, which is ideal in applications in humid conditions, with water, alkaline or acid solutions.**

COMPONENTS

- ❶ Housing in reinforced polyamide (Housing in reinforced polypropylene available on request).
- ❷ Adjustable chrome steel or stainless steel ball bearing, pre-lubricated. Can be re-lubricated by means of grease-nipple or a quick coupler.
- ❸ Ball-type grease-nipple or quick coupler from nickel plated brass (available upon request) to take semi-rigid hoses ø 4 mm in Rilsan (see accessories on [page 110](#)). Version with stainless steel bearing has a stainless steel grease nipple.
- ❹ Clip-on safety cap.
- ❺ Polyethylene washer for grease-nipple.
- ❽ Rotary shaft seal ring with extra dust-protection lip in NBR rubber.
- ❾ Heavy duty O-Ring in NBR rubber.
- ❿ External housing in stainless steel AISI 304-DIN 1.4301.

US-R WATERPROOF

POLYAMIDE HOUSING



accessory

COLOUR

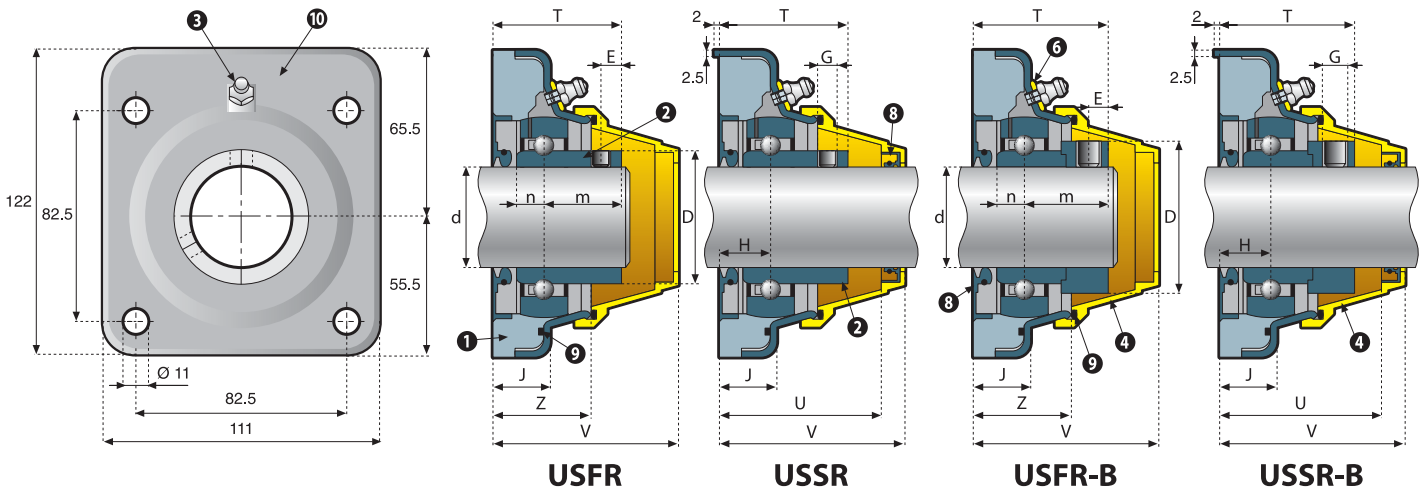
- Bearing support in black.
- Safety cap in yellow.
- For sufficient quantities parts can be produced in different colours.



WATERPROOF

SEE ALSO...

Accessories: [p. 110](#)
 Features, lubrication and maintenance: [p. 112](#)
 Mounting instruction: [p. 113 - 114](#)
 Calculation of load capacity, bearing life: [p. 115 - 116](#)
 Chemical resistance: [p. 120 - 121](#)



USFR
support without
tongue version
with grub screw

USSR
support with
tongue version
with grub screw

USFR-B
support without
tongue version with
eccentric ring

USSR-B
support with
tongue version with
eccentric ring

Ø d mm	type	code version		dimension (mm)											bearing load ratings	
		closed	open	D	E	G	H	J	Z	T	m	n	U	V	dynamic C (N)	static Co (N)
CHROME STEEL BEARING WITH GRUB SCREWS (POLYAMIDE)																
30	USFR	51206FR	56206FR	40.3	6	M6	20	22.5	35	42	22	8	50	60	15000	11300
30	USSR	51206SR	56206SR	40.3	6	M6	20	22.5	35	42	22	8	50	60	15000	11300
40	USFR	51208FR	56208FR	53	7	M8	20	22.5	38.6	45	25	9	63.5	72.5	22400	17900
40	USSR	51208SR	56208SR	53	7	M8	20	22.5	38.6	45	25	9	63.5	72.5	22400	17900
CHROME STEEL BEARING WITH ECCENTRIC RING (POLYAMIDE)																
30	USFR-B	51206FRB	56206FRB	44.5	6	M8	20	22.5	35	47.7	27.7	8	50	60	15000	11300
30	USSR-B	51206SRB	56206SRB	44.5	6	M8	20	22.5	35	47.7	27.7	8	50	60	15000	11300
40	USFR-B	51208FRB	56208FRB	60.3	6.5	M10	20	22.5	38.6	54.7	34.7	9	63.5	72.5	22400	17900
40	USSR-B	51208SRB	56208SRB	60.3	6.5	M10	20	22.5	38.6	54.7	34.7	9	63.5	72.5	22400	17900

* **MAX. RADIAL LOAD CAPACITY OF HOUSING:** Values indicated in the table above, are obtained at 23°C. Strength of housing indicated on [page 115](#).

STANDARD



TECHNICAL INFORMATION for CS

- **Total protection with stainless steel polished surface.**
- **Solid cross-section base housing.**
- **No core cavities to trap contaminants.**
- **Resistance to corrosion:**
 - Good resistance to highly corrosive chemicals such as acid, organic liquids, detergents.
- **High load capacity.**
- **Continuous operating temperature:**
 - From -20° to +80°C. This version maintains good dimensional stability at the maximum indicated temperature.
- **Economical operation:**
 - Long life bearing insert.
- **Self-alignment:**
 - Max misalignment between shaft and housing: 2.5°.
- **Concept and design to meet all safety requirements.**
- **Interchangeable with standard cast iron flanged supports.**
- **Ball bearing pre-lubricated with long-life grease, which is ideal in applications in humid conditions, with water, alkaline or acid solutions.**

COMPONENTS

- ① Housing in reinforced polyamide (Housing in reinforced polypropylene available on request).
- ② Adjustable chrome steel or stainless steel ball bearing, pre-lubricated. Can be re-lubricated by means of grease-nipple or a quick coupler.
- ③ Ball-type grease-nipple or quick coupler from nickel plated brass (available upon request) to take semi-rigid hoses ø 4 mm in Rilsan (see accessories on [page 110](#)). Version with stainless steel bearing has a stainless steel grease nipple.
- ④ Clip-on safety cap (accessory).
- ⑤ Spacers from nickel plated brass to reinforce fixing holes.
- ⑥ Polyethylene washer for grease-nipple.
- ⑩ External housing in stainless steel AISI 304-DIN 1.4301.

CS
STANDARD

POLYAMIDE HOUSING



accessory

COLOUR

- Safety cap in yellow.
- Internal housing in black.
- For sufficient quantities parts can be produced in different colours.

SEE ALSO...

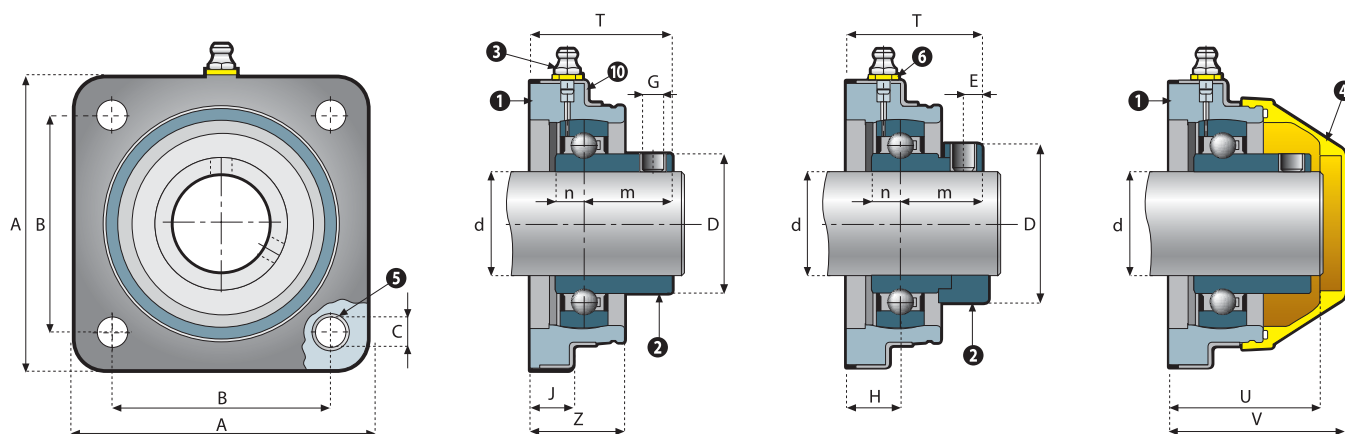
Accessories: [p. 110](#)

Features, lubrication and maintenance: [p. 112](#)

Mounting instruction: [p. 113 - 114](#)

Calculation of load capacity, bearing life: [p. 115 - 116](#)

Chemical resistance: [p. 120 - 121](#)



closed version with grub screws

closed version with eccentric ring

cover "accessory"

Accessories



Ø d mm	code version	dimension (mm)														bearing load ratings		housing load rating max.N*	weight (Kg)	closed safety cap code	open safety cap code
		A	B	C	D	E	G	H	J	Z	T	m	n	U	V	dynamic C (N)	static Co (N)				
CHROME STEEL BEARING WITH GRUB SCREWS (POLYAMIDE)																					
30	50206CS	111	82.5	11	40.3	6	M6x0.75	21	16.5	35.5	43	22	8	55	66	15000	11300	13000	0.70	50002	50002.APE
35	50207CS	111	82.5	11	48	6.5	M8x1.00	19	16.5	35.5	42.5	23.5	8.5	55	66	19700	15300	12800	0.80	50002	50002.APE
40	50208CS	111	82.5	11	53	7	M8x1.00	18.25	16.5	35.5	43.25	25	9	55	66	22400	17900	12500	0.90	50002	50002.APE
CHROME STEEL BEARING WITH ECCENTRIC RING (POLYAMIDE)																					
30	50206CSB	111	82.5	11	44.5	6	M6x0.75	21	16.5	35.5	48.7	27.7	8	55	66	15000	11300	13000	0.80	50002	50002.APE
35	50207CSB	111	82.5	11	55.6	6.5	M8x1.00	19	16.5	35.5	49.4	30.4	8.5	55	66	19700	15300	12800	0.90	50002	50002.APE
40	50208CSB	111	82.5	11	60.3	6.5	M8x1.00	18.25	16.5	35.5	52.95	34.7	9	55	66	22400	17900	12500	1.00	50002	50002.APE

* **MAX. RADIAL LOAD CAPACITY OF HOUSING:** Values indicated in the table above, are obtained at 23°C. Strength of housing indicated on [page 115](#).

WATERPROOF



TECHNICAL INFORMATION for CS-R

- **Total protection with stainless steel polished surface.**
- **Solid cross-section base housing.**
- **No core cavities to trap contaminants.**
- **Resistance to corrosion:**
 - Good resistance to highly corrosive chemicals such as acid, organic liquids, detergents.
- **High load capacity.**
- **Continuous operating temperature:**
 - From -20° to +80°C. This version maintains good dimensional stability at the maximum indicated temperature.
- **Economical operation:**
 - Long life bearing insert.
- **Self-alignment:**
 - Max misalignment between shaft and housing: 2.5°.
- **Concept and design to meet all safety requirements.**
- **Interchangeable with standard cast iron flanged supports.**
- **Completely sealed units.**
- **Ball bearing pre-lubricated with long-life grease, which is ideal in applications in humid conditions, with water, alkaline or acid solutions.**

COMPONENTS

- ① Housing in reinforced polyamide (Housing in reinforced polypropylene available on request).
- ② Adjustable chrome steel or stainless steel ball bearing, pre-lubricated. Can be re-lubricated by means of grease-nipple or a quick coupler.
- ③ Ball-type grease-nipple or quick coupler from nickel plated brass (available upon request) to take semi-rigid hoses ø 4 mm in Rilsan (see accessories on [page 110](#)). Version with stainless steel bearing has a stainless steel grease nipple.
- ④ Clip-on safety cap.
- ⑤ Spacers from nickel plated brass to reinforce fixing holes.
- ⑥ Polyethylene washer for grease-nipple.
- ⑧ Rotary shaft seal ring with extra dust-protection lip in NBR rubber.
- ⑨ Heavy duty O-Ring in NBR rubber.
- ⑩ External housing in stainless steel AISI 304-DIN 1.4301.

CS-R
WATERPROOF

POLYAMIDE HOUSING



WATERPROOF

SEE ALSO...

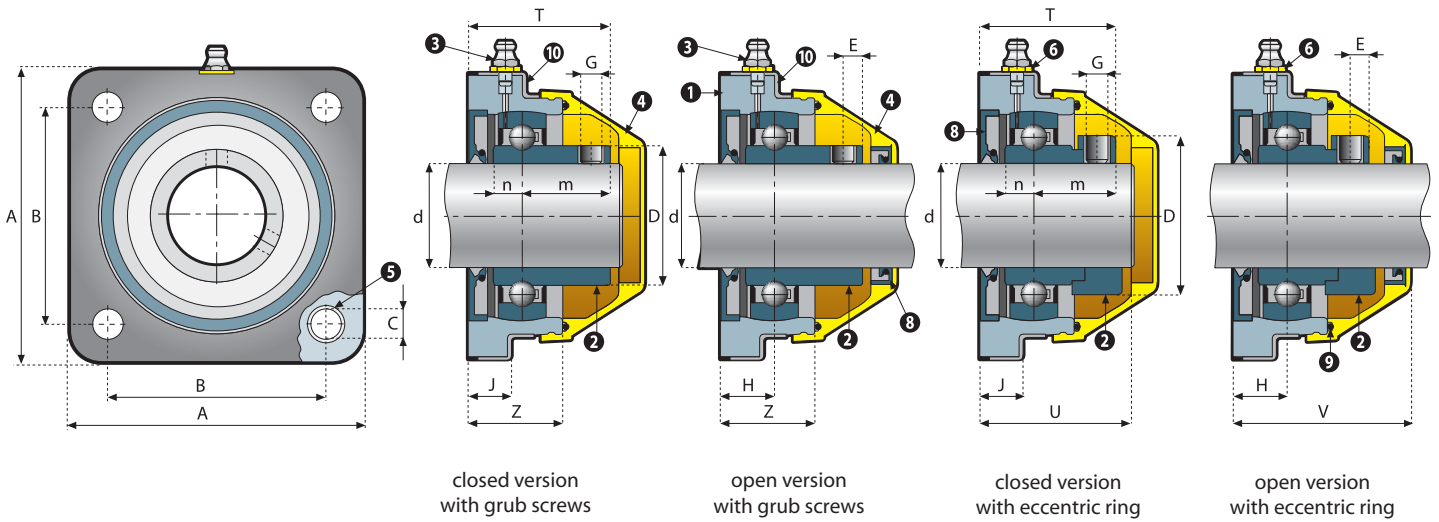
Accessories: [p. 110](#)

Features, lubrication and maintenance: [p. 112](#)

Mounting instruction: [p. 113 - 114](#)

Calculation of load capacity, bearing life: [p. 115 - 116](#)

Chemical resistance: [p. 120 - 121](#)



Ø d mm	code version		dimension (mm)														bearing load ratings		housing load rating max. N*	weight (Kg)
	closed	open	A	B	C	D	E	G	H	J	Z	T	m	n	U	V	dynamic C (N)	static Co (N)		
CHROME STEEL BEARING WITH GRUB SCREWS (POLYAMIDE)																				
30	50206CSR	55206CSR	111	82.5	11	40.3	6	M6x0.75	21	16.5	35.5	43	22	8	55	66	15000	11300	13000	0.70
35	50207CSR	55207CSR	111	82.5	11	48	6.5	M8x1.00	19	16.5	35.5	42.5	23.5	8.5	55	66	19700	15300	12800	0.80
40	50208CSR	55208CSR	111	82.5	11	53	7	M8x1.00	18.25	16.5	35.5	43.25	25	9	55	66	22400	17900	12500	0.90
CHROME STEEL BEARING WITH ECCENTRIC RING (POLYAMIDE)																				
30	50206CSBR	55206CSBR	111	82.5	11	44.5	6	M6x0.75	21	16.5	35.5	48.7	27.7	8	55	66	15000	11300	13000	0.80
35	50207CSBR	55207CSBR	111	82.5	11	55.6	6.5	M8x1.00	19	16.5	35.5	49.4	30.4	8.5	55	66	19700	15300	12800	0.90
40	50208CSBR	55208CSBR	111	82.5	11	60.3	6.7	M8x1.00	18.25	16.5	35.5	52.95	34.7	9	55	66	22400	17900	12500	1.00
STAINLESS STEEL BEARING WITH GRUB SCREWS (POLYAMIDE)																				
30	50206CSRS	55206CSRS	111	82.5	11	40.3	6	M6x0.75	21	16.5	35.5	43	22	8	55	66	11250	8400	13000	0.70
35	50207CSRS	55207CSRS	111	82.5	11	48	6.5	M8x1.00	19	16.5	35.5	42.5	23.5	8.5	55	66	14700	11400	13000	0.90
40	50208CSRS	55208CSRS	111	82.5	11	53	7	M8x1.00	18.25	16.5	35.5	43.25	25	9	55	66	16800	13400	14000	1.00

* **MAX. RADIAL LOAD CAPACITY OF HOUSING:** Values indicated in the table above, are obtained at 23°C. Strength of housing indicated on [page 115](#).

MAINTENANCE FREE

WATERPROOF



COMPONENTS

- ① Housing in reinforced polyamide (Housing in reinforced polypropylene available on request).
- ② Adjustable chrome steel or stainless steel ball bearing, pre-lubricated.
Can be re-lubricated by means of grease-nipple or a quick coupler.
- ④ Clip-on safety cap.
- ⑤ Spacers from nickel plated brass to reinforce fixing holes.
- ⑧ Rotary shaft seal ring with extra dust-protection lip in NBR rubber.
- ⑨ Heavy duty O-Ring in NBR rubber.
- ⑩ External housing in stainless steel AISI 304-DIN 1.4301.
- ⑫ Plastic plug.

TECHNICAL INFORMATION for CS-RL

- **Total protection with stainless steel polished surface.**
- **Solid cross-section base housing.**
- **No core cavities to trap contaminants.**
- **Resistance to corrosion:**
 - Good resistance to highly corrosive chemicals such as acid, organic liquids, detergents.
- **High load capacity.**
- **Continuous operating temperature:**
 - From -20° to +80°C. This version maintains good dimensional stability at the maximum indicated temperature.
- **Economical operation:**
 - Long life bearing insert.
- **Self-alignment:**
 - Max misalignment between shaft and housing: 2.5°.
- **Concept and design to meet all safety requirements.**
- **Interchangeable with standard cast iron flanged supports.**
- **Completely sealed units.**
- **Ball bearing pre-lubricated with long-life grease, which is ideal in applications in humid conditions, with water, alkaline or acid solutions.**

CS-RL

MAINTENANCE FREE - WATERPROOF

POLYAMIDE HOUSING



WATERPROOF



**MAINTENANCE
FREE**

SEE ALSO...

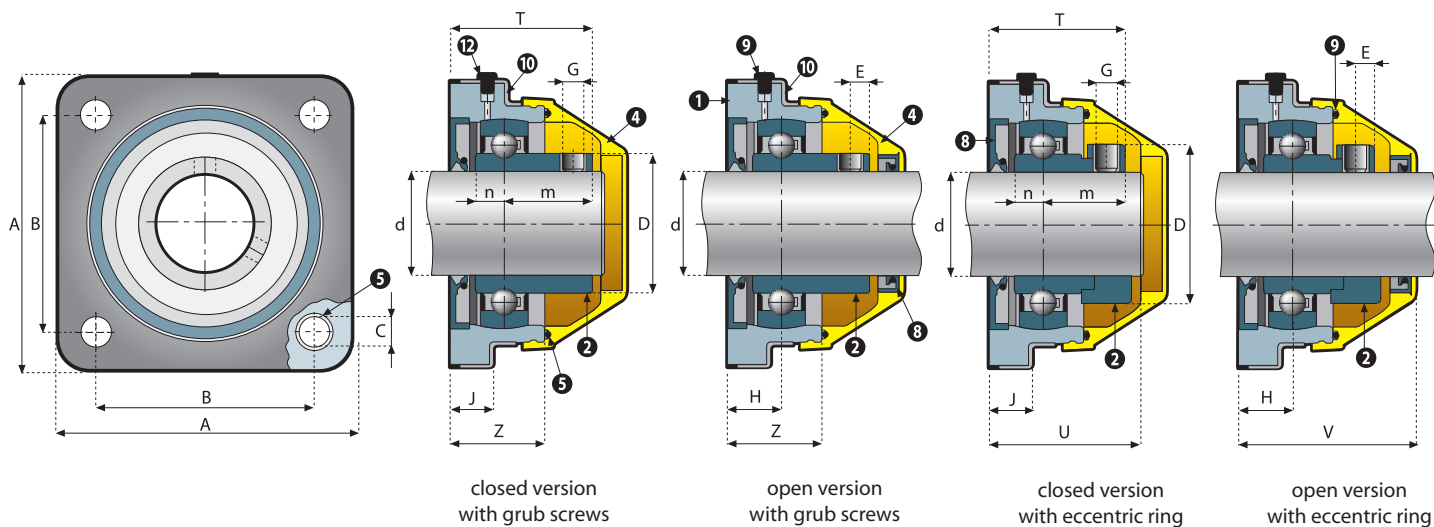
Accessories: [p. 110](#)

Features, lubrication and maintenance: [p. 112](#)

Mounting instruction: [p. 113 - 114](#)

Calculation of load capacity, bearing life: [p. 115 - 116](#)

Chemical resistance: [p. 120 - 121](#)



Ø d mm	code version		dimension (mm)														bearing load ratings		housing load rating max. N*	weight (Kg)
	closed	open	A	B	C	D	E	G	H	J	Z	T	m	n	U	V	dynamic C (N)	static Co (N)		
CHROME STEEL BEARING WITH GRUB SCREWS (POLYAMIDE)																				
30	50206CSRL	55206CSRL	111	82.5	11	40.3	6	M6x0.75	21	16.5	35.5	43	22	8	55	66	15000	11300	13000	0.70
35	50207CSRL	55207CSRL	111	82.5	11	48	6.5	M8x1.00	19	16.5	35.5	42.5	23.5	8.5	55	66	19700	15300	12800	0.80
40	50208CSRL	55208CSRL	111	82.5	11	53	7	M8x1.00	18.25	16.5	35.5	43.25	25	9	55	66	22400	17900	12500	0.90
CHROME STEEL BEARING WITH ECCENTRIC RING (POLYAMIDE)																				
40	50208CSBRL	55208CSBRL	111	82.5	11	60.3	6.5	M8x1.00	18.25	16.5	35.5	52.95	34.7	9	55	66	22400	17900	12500	1.00

* **MAX. RADIAL LOAD CAPACITY OF HOUSING:** Values indicated in the table above, are obtained at 23°C. Strength of housing indicated on [page 115](#).

STANDARD



TECHNICAL INFORMATION for UCFL

- **Resistance to corrosion:**
 - Polyamide version (PA): good resistance to many corrosive chemicals such as water, oils, greases, petrol, milk, wine, alcoholic beverages.
 - Polypropylene version (PP): excellent resistance to highly corrosive chemicals such as acids, organic liquids, detergents.
- **Load capacity:**
 - Housings in PA have a higher load capacity than housings in PP. See tables.
- **Continuous operating temperature:**
 - All our bearings can be used at temperatures between 0°C and +80°C. For lower or higher temperatures please consult our Engineering Department.
- **Economical operation.**
 - Long life bearing insert.
- **Self-alignment:**
 - Max misalignment between shaft and housing: 2.5°.
- **Concept and design to meet all safety requirements.**
- **Interchangeable with standard cast iron flanged supports.**
- **Ball bearing pre-lubricated with long-life grease, which is ideal in applications in humid conditions, with water, alkaline or acid solutions.**

SEE ALSO...

Accessories: [p. 110](#)
 Features, lubrication and maintenance: [p. 112](#)
 Mounting instruction: [p. 113 - 114](#)
 Calculation of load capacity, bearing life: [p. 115 - 116](#)
 Chemical resistance: [p. 120 - 121](#)

COMPONENTS

- 1 Housing in reinforced polyamide (Housing in reinforced polypropylene available on request).
- 2 Adjustable chrome steel or stainless steel ball bearing, pre-lubricated. Can be re-lubricated by means of grease-nipple or a quick coupler.
- 3 Ball-type grease-nipple or quick coupler from nickel plated brass (available upon request) to take semi-rigid hoses \varnothing 4 mm in Rilsan (see accessories on [page 110](#)). Version with stainless steel bearing has a stainless steel grease nipple.
- 4 Clip-on safety cap (accessory).
- 5 Spacers from nickel plated brass to reinforce fixing holes.
- 7 Washer UNI 6592, stainless steel AISI 304-DIN 1.4301.

UCFL
STANDARD

POLYAMIDE HOUSING



accessory

COLOUR

- Bearing support in black.
- Safety cap in yellow.
- For sufficient quantities parts can be produced in different colours.

UCFL
STANDARD

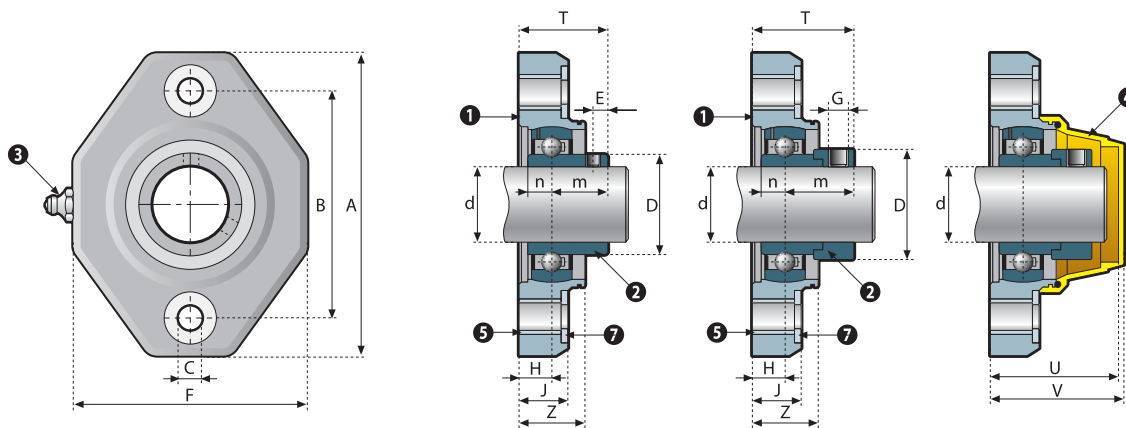
POLYPROPYLENE HOUSING



accessory

COLOUR

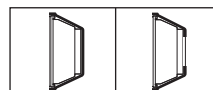
- Bearing support in black.
- Safety cap in yellow.
- For sufficient quantities parts can be produced in different colours.



version with grub screws

version with eccentric ring

Accessories



Preferred types, readily available (codes marked in red)

Ø d mm	code version	dimension (mm)														bearing load ratings		housing load rating max. N*	weight (Kg)	closed safety cap code	open safety cap code	
		A	B	C	D	E	F	G	H	J	Z	T	m	n	U	V	dynamic C (N)					static Co (N)
CHROME STEEL BEARING WITH GRUB SCREWS (POLYAMIDE)																						
20	50204L	120	90	11	29	5	85	M6x0.75	15	19	25	33	18	7	52	54	9800	6500	7500	0.34	50003A	50003A.APE
25	50205L	120	90	11	34	5.5	85	M6x0.75	15	19	25	34.5	19.5	7.5	52	54	10800	7800	7200	0.37	50003A	50003A.APE
25	50205LA	130	99	11	34	5.5	90	M6x0.75	15	19	25	34.5	19.5	7.5	52	54	10800	7800	7600	0.46	50003A	50003A.APE
30	50206L	120	90	11	40.3	6	85	M6x0.75	13	19	25	35	22	8	52	54	15000	11300	7000	0.45	50003A	50003A.APE
30	50206LA	130	99	11	40.3	6	90	M6x0.75	13	19	25	35	22	8	52	54	15000	11300	7600	0.53	50003A	50003A.APE
30	50206K	146	117	11	40.3	6	98	M6x0.75	20	25	35	42	22	8	67	69	15000	11300	13000	0.56	50002	50002.APE
35	50207K	146	117	11	48	6.5	98	M8x1.00	19	25	35	42.5	23.5	8.5	67	69	19700	15300	12800	0.68	50002	50002.APE
35	50207D	159	130	14	48	6.5	105	M8x1.00	20	25	35	43.5	23.5	8.5	67	69	19700	15300	12900	0.70	50002	50002.APE
40	50208K	146	117	11	53	7	98	M8x1.00	19	25	35	44	25	9	67	69	22400	17900	12500	0.84	50002	50002.APE
40	50208D	159	130	14	53	7	105	M8x1.00	20	25	35	45	25	9	67	69	22400	17900	12700	0.87	50002	50002.APE
CHROME STEEL BEARING WITH ECCENTRIC RING (POLYAMIDE)																						
20	50204LB	120	90	11	33.3	5	85	M6x0.75	15	19	25	38.9	23.9	7	52	54	9800	6500	7500	0.37	50003A	50003A.APE
25	50205LB	120	90	11	38	5	85	M6x0.75	15	19	25	38.4	23.4	7.5	52	54	10800	7800	7200	0.42	50003A	50003A.APE
25	50205LAB	130	99	11	38	5	90	M6x0.75	15	19	25	38.4	23.4	7.5	52	54	10800	7800	7600	0.48	50003A	50003A.APE
30	50206LB	120	90	11	44.5	6	85	M6x0.75	13	19	25	40.7	27.7	8	52	54	15000	11300	7000	0.50	50003A	50003A.APE
30	50206LAB	130	99	11	44.5	6	90	M6x0.75	13	19	25	40.7	27.7	8	52	54	15000	11300	7600	0.53	50003A	50003A.APE
30	50206KB	146	117	11	44.5	6	98	M6x0.75	20	25	35	47.7	27.7	8	67	69	15000	11300	13000	0.60	50002	50002.APE
35	50207KB	146	117	11	55.6	6.5	98	M8x1.00	19	25	35	49.4	30.4	8.5	67	69	19700	15300	12800	0.76	50002	50002.APE
35	50207DB	159	130	14	55.6	6.5	105	M8x1.00	20	25	35	50.4	30.4	8.5	67	69	19700	15300	12900	0.79	50002	50002.APE
40	50208KB	146	117	11	60.3	6.5	98	M8x1.00	19	25	35	53.7	34.7	9	67	69	22400	17900	12500	0.93	50002	50002.APE
40	50208DB	159	130	14	60.3	6.5	105	M8x1.00	20	25	35	54.7	34.7	9	67	69	22400	17900	12700	0.99	50002	50002.APE
STAINLESS STEEL BEARING WITH GRUB SCREWS (POLYAMIDE)																						
20	50204L/SS	120	90	11	29	5	85	M6x0.75	15	19	25	33.7	18.7	7	52	54	7300	4900	7500	0.34	50003A	50003A.APE
25	50205L/SS	120	90	11	34	5.5	85	M6x0.75	15	19	25	34.5	19.5	7.5	52	54	8100	5800	7200	0.37	50003A	50003A.APE
25	50205LA/SS	130	99	11	34	5.5	90	M6x0.75	15	19	25	34.5	19.5	7.5	52	54	8100	5800	7600	0.46	50003A	50003A.APE
30	50206L/SS	120	90	11	40.3	6	85	M6x0.75	13	19	25	35	22	8	52	54	11250	8400	7000	0.45	50003A	50003A.APE
30	50206LA/SS	130	99	11	40.3	6	90	M6x0.75	13	19	25	35	22	8	52	54	11250	8400	7600	0.53	50003A	50003A.APE
30	50206K/SS	146	117	11	40.3	6	98	M6x0.75	20	25	35	42	22	8	67	69	11250	8400	13000	0.56	50002	50002.APE
35	50207K/SS	146	117	11	48	6.5	98	M8x1.00	19	25	35	42.5	23.5	8.5	67	69	14700	11400	12800	0.68	50002	50002.APE
35	50207D/SS	159	130	14	48	6.5	105	M8x1.00	20	25	35	43.5	23.5	8.5	67	69	14700	11400	12900	0.70	50002	50002.APE
40	50208K/SS	146	117	11	53	7	98	M8x1.00	19	25	35	44	25	9	67	69	16850	13400	12500	0.84	50002	50002.APE
40	50208D/SS	159	130	14	53	7	105	M8x1.00	20	25	35	45	25	9	67	69	16850	13400	12700	0.87	50002	50002.APE
STAINLESS STEEL BEARING WITH GRUB SCREWS (POLYPROPYLENE)																						
20	60204L	120	90	11	29	5	85	M6x0.75	15	19	25	33.7	18.7	7	52	54	7300	4900	3500	0.34	50003A	50003A.APE
25	60205L	120	90	11	34	5.5	85	M6x0.75	15	19	25	34.5	19.5	7.5	52	54	8100	5800	3000	0.37	50003A	50003A.APE
25	60205LA	130	99	11	34	5.5	90	M6x0.75	15	19	25	34.5	19.5	7.5	52	54	8100	5800	3600	0.46	50003A	50003A.APE
30	60206K	146	117	11	40.3	6	98	M6x0.75	20	25	35	42	22	8	67	69	11250	8400	6000	0.56	50002	50002.APE
35	60207D	159	130	14	48	6.5	105	M8x1.00	20	25	35	43.5	23.5	8.5	67	69	14700	11400	6100	0.70	50002	50002.APE

* MAX. RADIAL LOAD CAPACITY OF HOUSING: Values indicated in the table above, are obtained at 23°C. Strength of housing indicated on [page 115](#).

UCFL-W

WATERPROOF



TECHNICAL INFORMATION for UCFL-W

- **Resistance to corrosion:**
 - Polyamide version (PA): good resistance to many corrosive chemicals such as water, oils, greases, petrol, milk, wine, alcoholic beverages.
 - Polypropylene version (PP): excellent resistance to highly corrosive chemicals such as acids, organic liquids, detergents.
- **Load capacity:**
 - Housings in PA have a higher load capacity than housings in PP. See tables.
- **Continuous operating temperature:**
 - All our bearings can be used at temperatures between 0°C and +80°C. For lower or higher temperatures please consult our Engineering Department.
- **Economical operation.**
 - Long life bearing insert.
- **Self-alignment:**
 - Max misalignment between shaft and housing: 2.0°.
- **Concept and design to meet all safety requirements.**
- **Interchangeable with standard cast iron flanged supports.**
- **Completely sealed units.**
- **Ball bearing pre-lubricated with long-life grease, which is ideal in applications in humid conditions, with water, alkaline or acid solutions.**



WATERPROOF

SEE ALSO...

Accessories: [p. 110](#)
Features, lubrication and maintenance: [p. 112](#)
Mounting instruction: [p. 113 - 114](#)
Calculation of load capacity, bearing life: [p. 115 - 116](#)
Chemical resistance: [p. 120 - 121](#)

COMPONENTS

- ① Housing in reinforced polyamide (Housing in reinforced polypropylene available on request).
- ② Adjustable chrome steel or stainless steel ball bearing, pre-lubricated. Can be re-lubricated by means of grease-nipple or a quick coupler.
- ③ Ball-type grease-nipple or quick coupler from nickel plated brass (available upon request) to take semi-rigid hoses \varnothing 4 mm in Rilsan (see accessories on [page 110](#)). Version with stainless steel bearing has a stainless steel grease nipple.
- ④ Clip-on safety cap.
- ⑤ Spacers from nickel plated brass to reinforce fixing holes.
- ⑦ Washer UNI 6592, stainless steel AISI 304-DIN 1.4301.
- ⑧ Rotary shaft seal ring with extra dust-protection lip in NBR rubber.
- ⑨ Heavy duty O-Ring in NBR rubber.

UCFL-W WATERPROOF

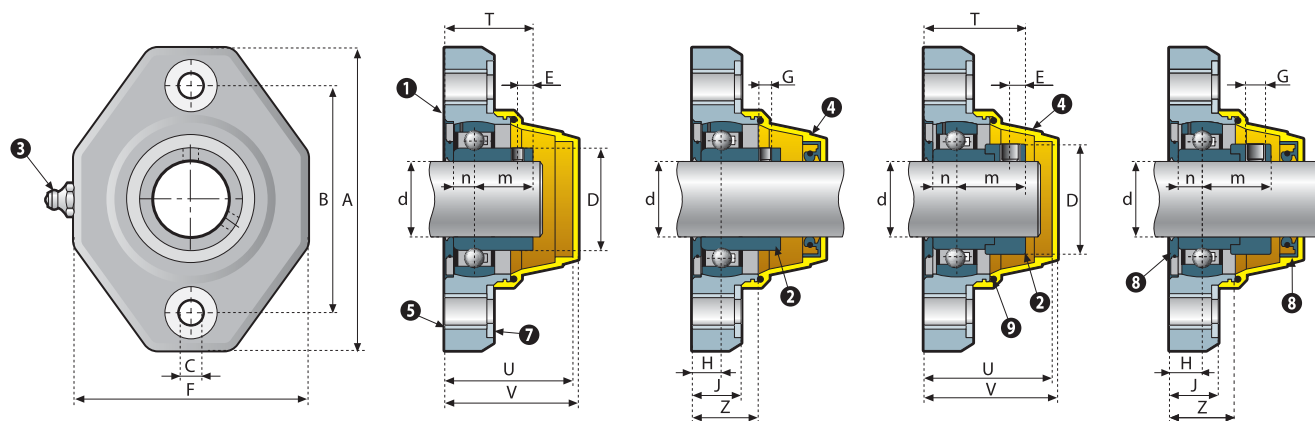
POLYAMIDE HOUSING



UCFL-W WATERPROOF

POLYPROPYLENE HOUSING





closed version with grub screws

open version with grub screws

closed version with eccentric ring

open version with eccentric ring

Preferred types, readily available (codes marked in red)

ø d mm	code version		dimension (mm)														bearing load ratings		housing load rating max. N*	weight (Kg)
	closed	open	A	B	C	D	E	F	G	H	J	Z	T	m	n	U	V	dynamic C (N)		

CHROME STEEL BEARING WITH GRUB SCREWS (POLYAMIDE)

20	50204W	55204W	120	90	11	29	5	85	M6x0.75	15	19	25	33	18	7	52	54	9800	6500	7500	0.31
25	50205W	55205W	120	90	11	34	5.5	85	M6x0.75	15	19	25	34.5	19.5	7.5	52	54	10800	7800	7200	0.33
25	50205AW	55205AW	130	99	11	34	5.5	90	M6x0.75	15	19	25	34.5	19.5	7.5	52	54	10800	7800	7600	0.51
30	50206W	55206W	120	90	11	40.3	6	85	M6x0.75	13	19	25	35	22	8	52	54	15000	11300	7000	0.40
30	50206AW	55206AW	130	99	11	40.3	6	90	M6x0.75	13	19	25	35	22	8	52	54	15000	11300	7600	0.63
30	50206X	55206X	146	117	11	40.3	6	98	M6x0.75	20	25	35	42	22	8	67	69	15000	11300	13000	0.58
35	50207X	55207X	146	117	11	48	6.5	98	M8x1.00	19	25	35	42.5	23.5	8.5	67	69	19700	15300	12800	0.72
35	50207M	55207M	159	130	14	48	6.5	105	M8x1.00	20	25	35	43.5	23.5	8.5	67	69	19700	15300	12900	0.75
40	50208X	55208X	146	117	11	53	7	98	M8x1.00	19	25	35	44	25	9	67	69	22400	17900	12500	0.87
40	50208M	55208M	159	130	14	53	7	105	M8x1.00	20	25	35	45	25	9	67	69	22400	17900	12700	0.92

CHROME STEEL BEARING WITH ECCENTRIC RING (POLYAMIDE)

20	50204WB	55204WB	120	90	11	33.3	5	85	M6x0.75	15	19	25	38.9	23.9	7	52	54	9800	6500	7500	0.34
25	50205WB	55205WB	120	90	11	38	5	85	M6x0.75	15	19	25	38.4	23.4	7.5	52	54	10800	7800	7200	0.37
25	50205AWB	55205AWB	130	99	11	38	5	90	M6x0.75	15	19	25	38.4	23.4	7.5	52	54	10800	7800	7600	0.51
30	50206WB	55206WB	120	90	11	44.5	6	85	M6x0.75	13	19	25	40.7	27.7	8	52	54	15000	7800	7000	0.44
30	50206AWB	55206AWB	130	99	11	44.5	6	90	M6x0.75	13	19	25	40.7	27.7	8	52	54	15000	11300	7600	0.63
30	50206XB	55206XB	146	117	11	44.5	6	98	M6x0.75	20	25	35	47.7	27.7	8	67	69	15000	11300	13000	0.65
35	50207XB	55207XB	146	117	11	55.6	6.5	98	M8x1.00	19	25	35	49.4	30.4	8.5	67	69	19700	15300	12800	0.78
35	50207MB	55207MB	159	130	14	55.6	6.5	105	M8x1.00	20	25	35	50.4	30.4	8.5	67	69	19700	15300	12900	0.83
40	50208XB	55208XB	146	117	11	60.3	6.5	98	M8x1.00	19	25	35	53.7	34.7	9	67	69	22400	17900	12500	0.98
40	50208MB	55208MB	159	130	14	60.3	6.5	105	M8x1.00	20	25	35	54.7	34.7	9	67	69	22400	17900	12700	1.05

* **MAX. RADIAL LOAD CAPACITY OF HOUSING:** Values indicated in the table above, are obtained at 23°C. Strength of housing indicated on [page 115](#).

ø d mm	code version		dimension (mm)														bearing load ratings		housing load rating max. N*	weight (Kg)
	closed	open	A	B	C	D	E	F	G	H	J	Z	T	m	n	U	V	dynamic C (N)		

CHROME STEEL BEARING WITH GRUB SCREWS (POLYPROPYLENE)

20	60204W	65204W	120	90	11	29	5	85	M6x0.75	15	19	25	33	18	7	52	54	9800	6500	3500	0.31
25	60205W	65205W	120	90	11	34	5.5	85	M6x0.75	15	19	25	34.5	19.5	7.5	52	54	10800	7800	3000	0.33
25	60205AW	65205AW	130	99	11	34	5.5	90	M6x0.75	15	19	25	34.5	19.5	7.5	52	54	10800	7800	3600	0.51
30	60206X	65206X	146	117	11	40.3	6	98	M6x0.75	20	25	35	42	22	8	67	69	15000	11300	6000	0.58
35	60207M	65207M	159	130	14	48	6.5	105	M8x1.00	20	25	35	43.5	23.5	8.5	67	69	19700	15300	6000	0.75

CHROME STEEL BEARING WITH ECCENTRIC RING (POLYPROPYLENE)

20	60204WB	65204WB	120	90	11	33.3	5	85	M6x0.75	15	19	25	38.9	23.9	7	52	54	9800	6500	3500	0.34
25	60205WB	65205WB	120	90	11	38	5	85	M6x0.75	15	19	25	38.4	23.4	7.5	52	54	10800	7800	3000	0.37
25	60205AWB	65205AWB	130	99	11	38	5	90	M6x0.75	15	19	25	38.4	23.4	7.5	52	54	10800	7800	3600	0.51
30	60206XB	65206XB	146	117	11	40.3	6	98	M6x0.75	20	25	35	42	22	8	67	69	15000	11300	6000	0.58
35	60207MB	65207MB	159	130	14	55.6	6.5	105	M8x1.00	20	25	35	50.4	30.4	8.5	67	69	19700	15300	6000	0.83

* **MAX. RADIAL LOAD CAPACITY OF HOUSING:** Values indicated in the table above, are obtained at 23°C. Strength of housing indicated on [page 115](#).

STANDARD



TECHNICAL INFORMATION for UFL

- **Resistance to corrosion:**
 - Polyamide version (PA): good resistance to many corrosive chemicals such as water, oils, greases, petrol, milk, wine, alcoholic beverages.
 - Polypropylene version (PP): excellent resistance to highly corrosive chemicals such as acids, organic liquids, detergents.
- **Load capacity:**
 - Housings in PA have a higher load capacity than housings in PP. See tables.
- **Continuous operating temperature:**
 - All our bearings can be used at temperatures between 0°C and +80°C. For lower or higher temperatures please consult our Engineering Department.
- **Economical operation.**
 - Long life bearing insert.
- **Self-alignment:**
 - Max misalignment between shaft and housing: 2.5°.
- **Concept and design to meet all safety requirements.**
- **Interchangeable with standard cast iron flanged supports.**
- **Ball bearing pre-lubricated with long-life grease, which is ideal in applications in humid conditions, with water, alkaline or acid solutions.**

COMPONENTS

- 1 Housing in reinforced polyamide (Housing in reinforced polypropylene available on request).
- 2 Adjustable chrome steel or stainless steel ball bearing, pre-lubricated. Can be re-lubricated by means of grease-nipple or a quick coupler.
- 3 Ball-type grease-nipple or quick coupler from nickel plated brass (available upon request) to take semi-rigid hoses \varnothing 4 mm in Rilsan (see accessories on [page 110](#)). Version with stainless steel bearing has a stainless steel grease nipple.
- 4 Clip-on safety cap.
- 5 Spacers from nickel plated brass to reinforce fixing holes.
- 7 Washer UNI 6592, stainless steel AISI 304-DIN 1.4301.

UFL STANDARD

POLYAMIDE HOUSING



accessory

COLOUR

- Bearing support in black.
- Safety cap in yellow.
- For sufficient quantities parts can be produced in different colours.

UFL STANDARD

POLYPROPYLENE HOUSING



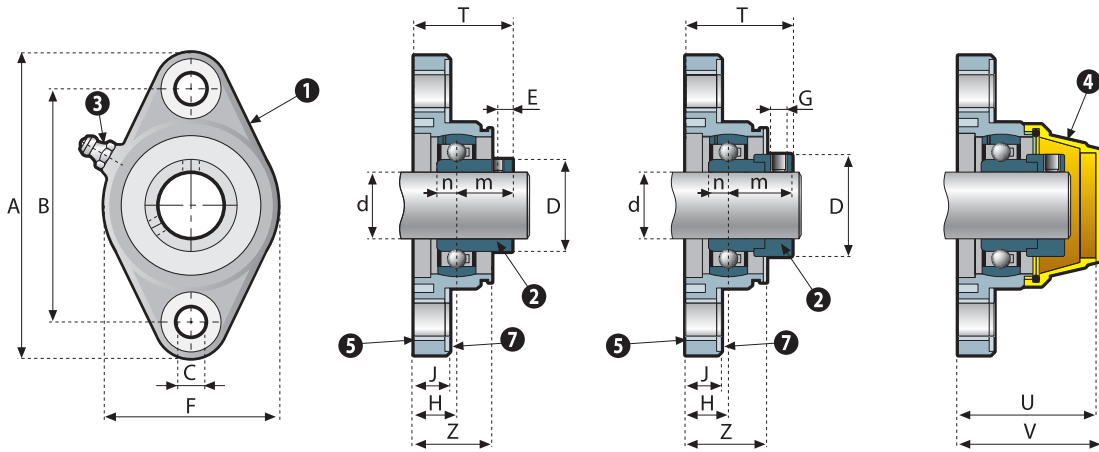
accessory

COLOUR

- Bearing support in black.
- Safety cap in yellow.
- For sufficient quantities parts can be produced in different colours.

SEE ALSO...

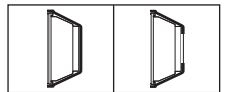
Accessories: [p. 110](#)
 Features, lubrication and maintenance: [p. 112](#)
 Mounting instruction: [p. 113 - 114](#)
 Calculation of load capacity, bearing life: [p. 115 - 116](#)
 Chemical resistance: [p. 120 - 121](#)



version with grub screws

version with eccentric ring

Accessories



Preferred types, readily available (codes marked in red)

Ø d mm	code version	dimension (mm)														bearing load ratings		housing load rating max. N*	weight (Kg)	closed safety cap code	open safety cap code	
		A	B	C	D	E	F	G	H	J	Z	T	m	n	U	V	dynamic C (N)					static Co (N)
CHROME STEEL BEARING WITH GRUB SCREWS (POLYAMIDE)																						
12	54201	100	76.5	11	24.6	4	56	M5x0.80	17.5	12	26	33.5	16	6	47	49	7300	4760	6500	0.25	50008	50008.APE
15	54202	100	76.5	11	24.6	4	56	M5x0.80	17.5	12	26	33.5	16	6	47	49	7300	4760	6500	0.25	50008	50008.APE
16	54016	100	76.5	11	24.6	4	56	M5x0.80	17.5	12	26	33.5	16	6	47	49	7300	4760	6500	0.25	50008	50008.APE
17	54203	100	76.5	11	24.6	4	56	M5x0.80	17.5	12	26	33.5	16	6	47	49	7300	4760	6500	0.25	50008	50008.APE
20	54204	100	76.5	11	29	5	56	M6x0.75	15.5	12	26	33.5	18	7	47	49	9850	6580	6200	0.30	50008	50008.APE
CHROME STEEL BEARING WITH ECCENTRIC RING (POLYAMIDE)																						
12	54201B	100	76.5	11	28.6	5	56	M6x0.75	17.5	12	26	40.1	22.6	6	47	49	7300	4760	6500	0.28	50008	50008.APE
15	54202B	100	76.5	11	28.6	5	56	M6x0.75	17.5	12	26	40.1	22.6	6	47	49	7300	4760	6500	0.28	50008	50008.APE
16	54016B	100	76.5	11	28.6	5	56	M6x0.75	17.5	12	26	40.1	22.6	6	47	49	7300	4760	6500	0.28	50008	50008.APE
17	54203B	100	76.5	11	28.6	5	56	M6x0.75	17.5	12	26	40.1	22.6	6	47	49	7300	4760	6500	0.28	50008	50008.APE
20	54204B	100	76.5	11	33.3	5	56	M6x0.75	15.5	12	26	39.4	23.9	7	47	49	9850	6580	6200	0.35	50008	50008.APE
STAINLESS STEEL BEARING WITH GRUB SCREWS (POLYAMIDE)																						
20	54204/SS	100	76.5	11	29	5	56	M6x0.75	15.5	12	26	34.2	18.7	7	47	49	7300	4900	6200	0.30	50008	50008.APE

* MAX. RADIAL LOAD CAPACITY OF HOUSING: Values indicated in the table above, are obtained at 23°C. Strength of housing indicated on [page 115](#).

Ø d mm	code version	dimension (mm)														bearing load ratings		housing load rating max. N*	weight (Kg)	closed safety cap code	open safety cap code	
		A	B	C	D	E	F	G	H	J	Z	T	m	n	U	V	dynamic C (N)					static Co (N)
CHROME STEEL BEARING WITH GRUB SCREWS (POLYPROPYLENE)																						
20	64204/SS	100	76.5	11	29	5	56	M6x0.75	15.5	12	26	34.2	18.7	7	47	49	7300	4900	3000	0.30	50008	50008.APE

* MAX. RADIAL LOAD CAPACITY OF HOUSING: Values indicated in the table above, are obtained at 23°C. Strength of housing indicated on [page 115](#).

UFL-Z

WATERPROOF



TECHNICAL INFORMATION for UFL-Z

- **Resistance to corrosion:**
 - Polyamide version (PA): good resistance to many corrosive chemicals such as water, oils, greases, petrol, milk, wine, alcoholic beverages.
 - Polypropylene version (PP): excellent resistance to highly corrosive chemicals such as acids, organic liquids, detergents.
- **Load capacity:**
 - Housings in PA have a higher load capacity than housings in PP. See tables.
- **Continuous operating temperature:**
 - All our bearings can be used at temperatures between 0°C and +80°C. For lower or higher temperatures please consult our Engineering Department.
- **Economical operation.**
 - Long life bearing insert.
- **Self-alignment:**
 - Max misalignment between shaft and housing: 2.0°.
- **Concept and design to meet all safety requirements.**
- **Interchangeable with standard cast iron flanged supports.**
- **Completely sealed units.**
- **Ball bearing pre-lubricated with long-life grease, which is ideal in applications in humid conditions, with water, alkaline or acid solutions.**



WATERPROOF

SEE ALSO...

Accessories: [p. 110](#)
Features, lubrication and maintenance: [p. 112](#)
Mounting instruction: [p. 113 - 114](#)
Calculation of load capacity, bearing life: [p. 115 - 116](#)
Chemical resistance: [p. 120 - 121](#)

COMPONENTS

- 1 Housing in reinforced polyamide (Housing in reinforced polypropylene available on request).
- 2 Adjustable chrome steel or stainless steel ball bearing, pre-lubricated. Can be re-lubricated by means of grease-nipple or a quick coupler.
- 3 Ball-type grease-nipple or quick coupler from nickel plated brass (available upon request) to take semi-rigid hoses \varnothing 4 mm in Rilsan (see accessories on [page 110](#)). Version with stainless steel bearing has a stainless steel grease nipple.
- 4 Clip-on safety cap.
- 5 Spacers from nickel plated brass to reinforce fixing holes.
- 7 Washer UNI 6592, stainless steel AISI 304-DIN 1.4301.
- 8 Rotary shaft seal ring with extra dust-protection lip in NBR rubber.
- 9 Heavy duty O-Ring in NBR rubber.

UFL-Z WATERPROOF

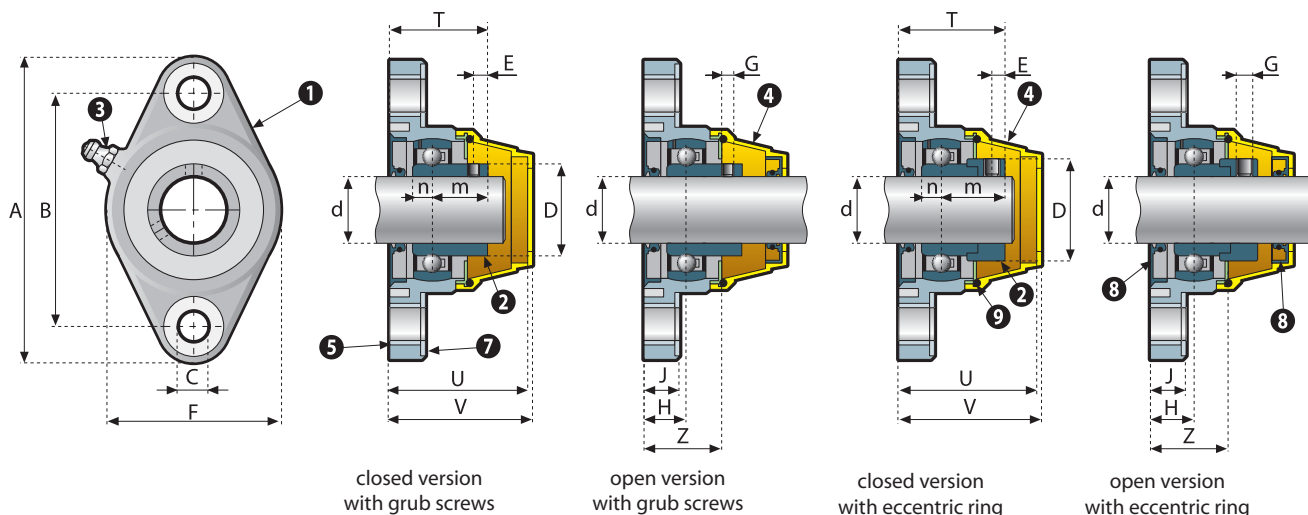
POLYAMIDE HOUSING



UFL-Z WATERPROOF

POLYPROPYLENE HOUSING





closed version with grub screws

open version with grub screws

closed version with eccentric ring

open version with eccentric ring

Preferred types, readily available (codes marked in red)

ø d mm	code version		dimension (mm)														bearing load ratings		housing load rating max. N*	weight (Kg)
	closed	open	A	B	C	D	E	F	G	H	J	Z	T	m	n	U	V	dynamic C (N)		

CHROME STEEL BEARING WITH GRUB SCREWS (POLYAMIDE)

12	54201Z	59201Z	100	76.5	11	24.6	4	56	M5x0.80	17.5	12	26	33.5	16	6	47	49	7300	4760	6500	0.25
15	54202Z	59202Z	100	76.5	11	24.6	4	56	M5x0.80	17.5	12	26	33.5	16	6	47	49	7300	4760	6500	0.25
16	54016Z	59016Z	100	76.5	11	24.6	4	56	M5x0.80	17.5	12	26	33.5	16	6	47	49	7300	4760	6500	0.25
17	54203Z	59203Z	100	76.5	11	24.6	4	56	M5x0.80	17.5	12	26	33.5	16	6	47	49	7300	4760	6500	0.25
20	54204Z	59204Z	100	76.5	11	29	5	56	M6x0.75	15.5	12	26	33.5	18	7	47	49	9850	6580	6200	0.30

CHROME STEEL BEARING WITH ECCENTRIC RING (POLYAMIDE)

12	54201ZB	59201ZB	100	76.5	11	28.6	5	56	M6x0.75	17.5	12	26	40.1	22.6	6	47	49	7300	4760	6500	0.28
15	54202ZB	59202ZB	100	76.5	11	28.6	5	56	M6x0.75	17.5	12	26	40.1	22.6	6	47	49	7300	4760	6500	0.28
16	54016ZB	59016ZB	100	76.5	11	28.6	5	56	M6x0.75	17.5	12	26	40.1	22.6	6	47	49	7300	4760	6500	0.28
17	54203ZB	59203ZB	100	76.5	11	28.6	5	56	M6x0.75	17.5	12	26	40.1	22.6	6	47	49	7300	4760	6500	0.28
20	54204ZB	59204ZB	100	76.5	11	33.3	5	56	M6x0.75	15.5	12	26	39.4	23.9	7	47	49	9850	6580	6200	0.35

* **MAX. RADIAL LOAD CAPACITY OF HOUSING:** Values indicated in the table above, are obtained at 23°C. Strength of housing indicated on [page 115](#).

Preferred types, readily available (codes marked in red)

ø d mm	code version		dimension (mm)														bearing load ratings		housing load rating max. N*	weight (Kg)
	closed	open	A	B	C	D	E	F	G	H	J	Z	T	m	n	U	V	dynamic C (N)		

CHROME STEEL BEARING WITH GRUB SCREWS (POLYPROPYLENE)

12	64201Z	69201Z	100	76.5	11	24.6	4	56	M5x0.80	17.5	12	26	33.5	16	6	47	49	7300	4760	3100	0.25
15	64202Z	69202Z	100	76.5	11	24.6	4	56	M5x0.80	17.5	12	26	33.5	16	6	47	49	7300	4760	3100	0.25
16	64016Z	69016Z	100	76.5	11	24.6	4	56	M5x0.80	17.5	12	26	33.5	16	6	47	49	7300	4760	3100	0.25
17	64203Z	69203Z	100	76.5	11	24.6	4	56	M5x0.80	17.5	12	26	33.5	16	6	47	49	7300	4760	3100	0.25
20	64204Z	69204Z	100	76.5	11	29	5	56	M6x0.75	15.5	12	26	33.5	18	7	47	49	9850	6580	3000	0.30

CHROME STEEL BEARING WITH ECCENTRIC RING (POLYPROPYLENE)

12	64201ZB	69201ZB	100	76.5	11	28.6	5	56	M6x0.75	17.5	12	26	40.1	22.6	6	47	49	7300	4760	3100	0.28
15	64202ZB	69202ZB	100	76.5	11	28.6	5	56	M6x0.75	17.5	12	26	40.1	22.6	6	47	49	7300	4760	3100	0.28
16	64016ZB	69016ZB	100	76.5	11	28.6	5	56	M6x0.75	17.5	12	26	40.1	22.6	6	47	49	7300	4760	3100	0.28
17	64203ZB	69203ZB	100	76.5	11	28.6	5	56	M6x0.75	17.5	12	26	40.1	22.6	6	47	49	7300	4760	3100	0.28
20	64204ZB	69204ZB	100	76.5	11	33.3	5	56	M6x0.75	15.5	12	26	39.4	23.9	7	47	49	9850	6580	3000	0.35

* **MAX. RADIAL LOAD CAPACITY OF HOUSING:** Values indicated in the table above, are obtained at 23°C. Strength of housing indicated on [page 115](#).

STANDARD



TECHNICAL INFORMATION for UCFH

- **Resistance to corrosion:**
 - Polyamide version (PA): good resistance to many corrosive chemicals such as water, oils, greases, petrol, milk, wine, alcoholic beverages.
- **High load capacity.**
- **Continuous operating temperature:**
 - All our bearings can be used at temperatures between 0°C and +80°C. For lower or higher temperatures please consult our Engineering Department.
- **Self-alignment:**
 - Max misalignment between shaft and housing: 2.5°.
- **Low maintenance and trouble-free operation.**
- **Easy Cleaning.**
- **Ball bearing pre-lubricated with long-life grease, which is ideal in applications in humid conditions, with water, alkaline or acid solutions.**
- **Concept and design to meet all safety requirements.**
- **Interchangeable with standard cast iron flanged supports.**
- **Application in the food, beverage and pharmaceutical industry.**

COMPONENTS

- 1 Housing in reinforced polyamide (Housing in reinforced polypropylene available on request).
- 2 Adjustable chrome steel or stainless steel ball bearing, pre-lubricated. Can be re-lubricated by means of grease-nipple or a quick coupler.
- 3 Ball-type grease-nipple or quick coupler from nickel plated brass (available upon request) to take semi-rigid hoses ø 4 mm in Rilsan (see accessories on [page 110](#)). Version with stainless steel bearing has a stainless steel grease nipple.
- 4 Clip-on safety cap (accessory).
- 5 Spacers from nickel plated brass to reinforce fixing holes.
- 6 Polyethylene washer for grease-nipple.

UCFH STANDARD

POLYAMIDE HOUSING



accessory

COLOUR

- Bearing support in black.
- Safety cap in yellow.
- For sufficient quantities parts can be produced in different colours.

UCFH STANDARD

NOLU-CLEAN is a new antimicrobial material of improved hygiene. For detailed information refer to [page 7](#).

NOLU-CLEAN HOUSING



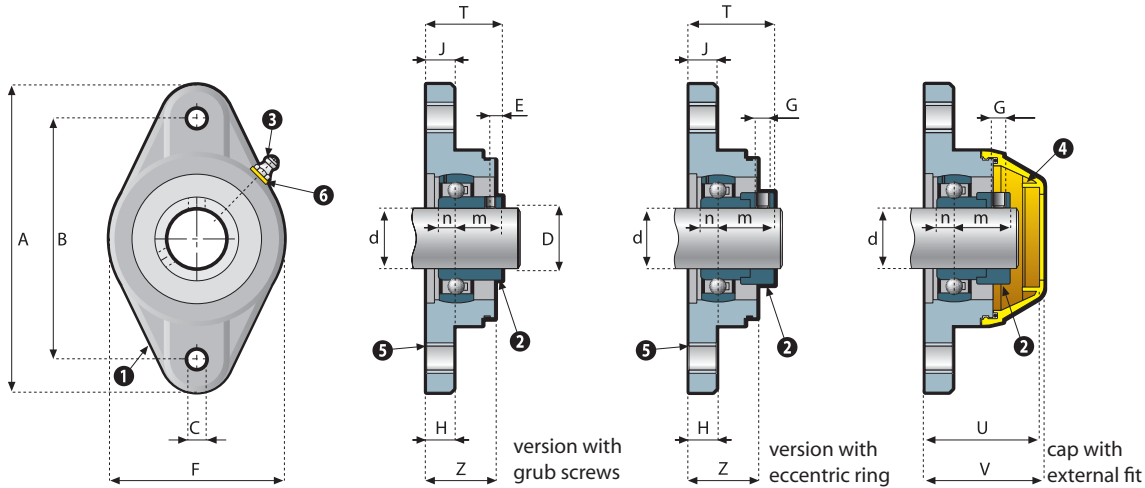
accessory

COLOUR

- Bearing support in white.
- Safety cap in white.

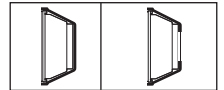
SEE ALSO...

Accessories: [p. 110](#)
 Features, lubrication and maintenance: [p. 112](#)
 Mounting instruction: [p. 113 - 114](#)
 Calculation of load capacity, bearing life: [p. 115 - 116](#)
 Chemical resistance: [p. 120 - 121](#)



Preferred types, readily available (codes marked in red)

Accessories



Ø d mm	support code	dimension (mm)														bearing load ratings		housing load rating max.N*	weight (Kg)	closed safety cap code	open safety cap code	
		A	B	C	D	E	F	G	H	J	Z	T	m	n	U	V	dynamic C (N)					static Co (N)
CHROME STEEL BEARING WITH GRUB SCREWS (POLYAMIDE)																						
12	54201N-EC	99	76.5	11	24.6	4	56	M5x0.80	16.5	10	26	32.5	16	6	46.5	48.5	7300	4760	6500	0.18	50008	50008.APE
15	54202N-EC	99	76.5	11	24.6	4	56	M5x0.80	16.5	10	26	32.5	16	6	46.5	48.5	7300	4760	6500	0.18	50008	50008.APE
16	54016N-EC	99	76.5	11	24.6	4	56	M5x0.80	16.5	10	26	32.5	16	6	46.5	48.5	7300	4760	6500	0.18	50008	50008.APE
17	54203N-EC	99	76.5	11	24.6	4	56	M5x0.80	16.5	10	26	32.5	16	6	46.5	48.5	7300	4760	6500	0.18	50008	50008.APE
20	54204N-EC	114	90	11	29	5	64	M6x0.75	15.5	10	26	33.5	18	7	47.5	49.5	9850	6580	7500	0.20	50007	50007.APE
25	54205N-EC	130	99	11	34	5.5	70	M6x0.75	17	12.5	29	36.5	19.5	7.5	52.2	54.2	10800	7800	8000	0.30	50011	50011.APE
30	54206N-EC	148	117	11	40.3	6	84	M6x0.75	14.5	12.5	29	36.5	22	8	50.7	52.7	15000	11300	8800	0.45	50001	50001.APE
35	54207N-EC	163	130	14	48	6.5	90	M8x1.00	18	16	33	41.5	23.5	8.5	63.7	65.7	19700	15300	9000	0.60	50004	50004.APE
40	54208N-EC	175	144	14	53	7	100	M8x1.00	18	20	35	43	25	9	63.2	65.2	22400	17900	12500	0.80	50002	50002.APE
CHROME STEEL BEARING WITH ECCENTRIC RING (POLYAMIDE)																						
12	54201NB-EC	99	76.5	11	28.6	5	56	M6x0.75	16.5	10	26	39.1	22.6	6	46.5	48.5	7300	4760	6500	0.20	50008	50008.APE
15	54202NB-EC	99	76.5	11	28.6	5	56	M6x0.75	16.5	10	26	39.1	22.6	6	46.5	48.5	7300	4760	6500	0.20	50008	50008.APE
16	54016NB-EC	99	76.5	11	28.6	5	56	M6x0.75	16.5	10	26	39.1	22.6	6	46.5	48.5	7300	4760	6500	0.20	50008	50008.APE
17	54203NB-EC	99	76.5	11	28.6	5	56	M6x0.75	16.5	10	26	39.1	22.6	6	46.5	48.5	7300	4760	6500	0.20	50008	50008.APE
20	54204NB-EC	114	90	11	33.3	5	64	M6x0.75	15.5	10	26	39.4	23.9	7	47.5	49.5	9850	6580	7500	0.23	50007	50007.APE
25	54205NB-EC	130	99	11	38.1	5	70	M6x0.75	17	12.5	29	40.4	23.4	7.5	52.2	54.2	10800	7800	8000	0.33	50011	50011.APE
30	54206NB-EC	148	117	11	44.5	6	84	M6x0.75	14.5	12.5	29	42.2	27.7	8	50.7	52.7	15000	11300	8800	0.49	50001	50001.APE
35	54207NB-EC	163	130	14	55.6	6.5	90	M8x1.00	18	16	33	48.4	30.4	8.5	63.7	65.7	19700	15300	9000	0.66	50004	50004.APE
40	54208NB-EC	175	144	14	60.3	6.5	100	M8x1.00	18	20	35	52.7	34.7	9	63.2	65.2	22400	17900	12500	0.87	50002	50002.APE
STAINLESS STEEL BEARING WITH GRUB SCREWS (POLYAMIDE)																						
20	54204N/SS-EC	114	90	11	29	5	64	M6x0.75	15.5	10	26	34.2	18.7	7	47.5	49.5	7300	4900	7500	0.20	50007	50007.APE
25	54205N/SS-EC	130	99	11	34	5.5	70	M6x0.75	17	12.5	29	36.7	19.5	7.5	52.2	54.2	8100	5800	8000	0.30	50011	50011.APE
30	54206N/SS-EC	148	117	11	40.3	6	84	M6x0.75	14.5	12.5	29	36.5	22	8	50.7	52.7	11250	8400	8800	0.45	50001	50001.APE
35	54207N/SS-EC	163	130	14	48	6.5	90	M8x1.00	18	16	33	41.5	23.5	8.5	63.7	65.7	14700	11400	9000	0.60	50004	50004.APE
40	54208N/SS-EC	175	144	14	53	7	100	M8x1.00	18	20	35	43	25	9	63.2	65.2	16800	13400	12500	0.80	50002	50002.APE
CHROME STEEL BEARING WITH GRUB SCREWS (NOLU-CLEAN)																						
20	54204CG-EC	114	90	11	29	5	64	M6x0.75	15.5	10	26	33.5	18	7	47.5	49.5	9850	6580	7500	0.20	50007CG	50007.APE/CG
25	54205CG-EC	130	99	11	34	5.5	70	M6x0.75	17	12.5	29	36.5	19.5	7.5	52.2	54.2	10800	7800	8000	0.30	50011CG	50011.APE/CG
30	54206CG-EC	148	117	11	40.3	6	84	M6x0.75	14.5	12.5	29	36.5	22	8	50.7	52.7	15000	11300	8800	0.45	50001CG	50001.APE/CG
35	54207CG-EC	163	130	14	48	6.5	90	M8x1.00	18	16	33	41.5	23.5	8.5	63.7	65.7	19700	15300	9000	0.60	50004CG	50004.APE/CG
40	54208CG-EC	175	144	14	53	7	100	M8x1.00	18	20	35	43	25	9	63.2	65.2	22400	17900	12500	0.80	50002CG	50002.APE/CG
CHROME STEEL BEARING WITH ECCENTRIC RING (NOLU-CLEAN)																						
20	54204CGB-EC	114	90	11	33.3	5	64	M6x0.75	15.5	10	26	39.4	23.9	7	47.5	49.5	9850	6580	7500	0.23	50007CG	50007.APE/CG
25	54205CGB-EC	130	99	11	38.1	5	70	M6x0.75	17	12.5	29	40.4	23.4	7.5	52.2	54.2	10800	7800	8000	0.33	50011CG	50011.APE/CG
30	54206CGB-EC	148	117	11	44.5	6	84	M6x0.75	14.5	12.5	29	42.2	27.7	8	50.7	52.7	15000	11300	8800	0.49	50001CG	50001.APE/CG
35	54207CGB-EC	163	130	14	55.6	6.5	90	M8x1.00	18	16	33	48.4	30.4	8.5	63.7	65.7	19700	15300	9000	0.66	50004CG	50004.APE/CG
40	54208CGB-EC	175	144	14	60.3	6.5	100	M8x1.00	18	20	35	52.7	34.7	9	63.2	65.2	22400	17900	12500	0.87	50002CG	50002.APE/CG
STAINLESS STEEL BEARING WITH GRUB SCREWS (NOLU-CLEAN)																						
20	54204CG/SS-EC	114	90	11	29	5	64	M6x0.75	15.5	10	26	34.2	18.7	7	47.5	49.5	7300	4900	7500	0.20	50007CG	50007.APE/CG
25	54205CG/SS-EC	130	99	11	34	5.5	70	M6x0.75	17	12.5	29	36.7	19.5	7.5	52.2	54.2	8100	5800	8000	0.30	50011CG	50011.APE/CG
30	54206CG/SS-EC	148	117	11	40.3	6	84	M6x0.75	14.5	12.5	29	36.5	22	8	50.7	52.7	11250	8400	8800	0.45	50001CG	50001.APE/CG
35	54207CG/SS-EC	163	130	14	48	6.5	90	M8x1.00	18	16	33	41.5	23.5	8.5	63.7	65.7	14700	11400	9000	0.60	50004CG	50004.APE/CG
40	54208CG/SS-EC	175	144	14	53	7	100	M8x1.00	18	20	35	43	25	9	63.2	65.2	16800	13400	12500	0.80	50002CG	50002.APE/CG

* MAX. RADIAL LOAD CAPACITY OF HOUSING: Values indicated in the table above, are obtained at 23°C. Strength of housing indicated on [page 115](#).

UCFH-R

WATERPROOF



TECHNICAL INFORMATION for UCFH-R

- **Resistance to corrosion:**
 - Polyamide version (PA): good resistance to many corrosive chemicals such as water, oils, greases, petrol, milk, wine, alcoholic beverages.
- **High load capacity.**
- **Continuous operating temperature:**
 - All our bearings can be used at temperatures between 0°C and +80°C. For lower or higher temperatures please consult our Engineering Department.
- **Self-alignment:**
 - Max misalignment between shaft and housing: 2.0°.
- **Low maintenance and trouble-free operation.**
- **Easy Cleaning.**
- **Ball bearing pre-lubricated with long-life grease, which is ideal in applications in humid conditions, with water, alkaline or acid solutions.**
- **Concept and design to meet all safety requirements.**
- **Interchangeable with standard cast iron flanged supports.**
- **Application in the food, beverage and pharmaceutical industry.**
- **Completely sealed units.**



WATERPROOF

SEE ALSO...

Accessories: [p. 110](#)
Features, lubrication and maintenance: [p. 112](#)
Mounting instruction: [p. 113 - 114](#)
Calculation of load capacity, bearing life: [p. 115 - 116](#)
Chemical resistance: [p. 120 - 121](#)

COMPONENTS

- ① Housing in reinforced polyamide (Housing in reinforced polypropylene available on request).
- ② Adjustable chrome steel or stainless steel ball bearing, pre-lubricated. Can be re-lubricated by means of grease-nipple or a quick coupler.
- ③ Ball-type grease-nipple or quick coupler from nickel plated brass (available upon request) to take semi-rigid hoses \varnothing 4 mm in Rilsan (see accessories on [page 110](#)). Version with stainless steel bearing has a stainless steel grease nipple.
- ④ Clip-on safety cap.
- ⑤ Spacers from nickel plated brass to reinforce fixing holes.
- ⑥ Polyethylene washer for grease-nipple.
- ⑧ Rotary shaft seal ring with extra dust-protection lip in NBR rubber.
- ⑨ Heavy duty O-Ring in NBR rubber.

UCFH-R WATERPROOF

POLYAMIDE HOUSING

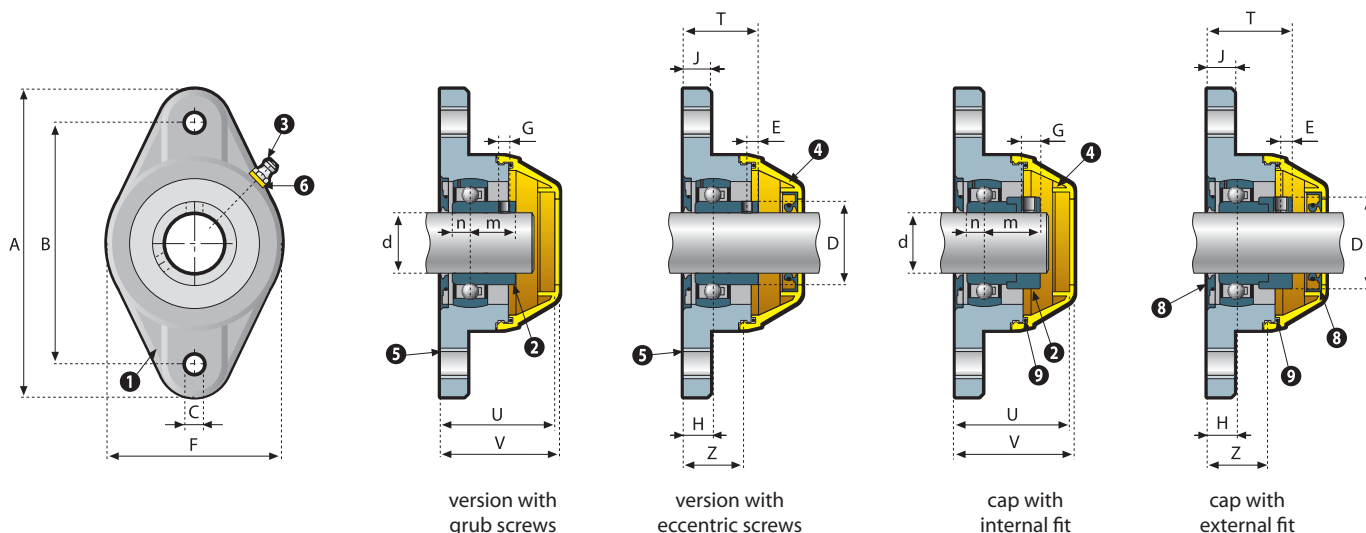


UCFH-R WATERPROOF

NOLU-CLEAN is a new antimicrobial material of improved hygiene. For detailed information refer to [page 7](#).

NOLU-CLEAN HOUSING





Preferred types, readily available (codes marked in red)

ø d mm	cap with external fit		dimension (mm)														bearing load ratings		housing load rating max. N*	weight (Kg)
	closed	open	A	B	C	D	E	F	G	H	J	Z	T	m	n	U	V	dynamic C (N)		

CHROME STEEL BEARING WITH GRUB SCREWS (POLYAMIDE)

12	54201NR-EC	59201NR-EC	99	76.5	11	24.6	4	56	M5x0.80	16.5	10	26	32.5	16	6	46.5	48.5	7300	4760	6500	0.19
15	54202NR-EC	59202NR-EC	99	76.5	11	24.6	4	56	M5x0.80	16.5	10	26	32.5	16	6	46.5	48.5	7300	4760	6500	0.19
16	54016NR-EC	59016NR-EC	99	76.5	11	24.6	4	56	M5x0.80	16.5	10	26	32.5	16	6	46.5	48.5	7300	4760	6500	0.19
17	54203NR-EC	59203NR-EC	99	76.5	11	24.6	4	56	M5x0.80	16.5	10	26	32.5	16	6	46.5	48.5	7300	4760	6500	0.19
20	54204NR-EC	59204NR-EC	114	90	11	29	5	64	M6x0.75	15.5	10	26	33.5	18	7	47.5	49.5	9850	6580	7500	0.21
25	54205NR-EC	59205NR-EC	130	99	11	34	5.5	70	M6x0.75	17	12.5	29	36.5	19.5	7.5	52.2	54.2	10800	7800	8000	0.32
30	54206NR-EC	59206NR-EC	148	117	11	40.3	6	84	M6x0.75	14.5	12.5	29	36.5	22	8	50.7	52.7	15000	11300	8800	0.45
35	54207NR-EC	59207NR-EC	163	130	14	48	6.5	90	M8x1.00	18	16	33	41.5	23.5	8.5	63.7	65.7	19700	15300	9000	0.60
40	54208NR-EC	59208NR-EC	175	144	14	53	7	100	M8x1.00	18	20	35	43	25	9	63.2	65.2	22400	17900	12500	0.80

CHROME STEEL BEARING WITH ECCENTRIC RING (POLYAMIDE)

12	54201NRB-EC	59201NRB-EC	99	76.5	11	28.6	5	56	M6x0.75	16.5	10	26	39.1	22.6	6	46.5	48.5	7300	4760	6500	0.24
15	54202NRB-EC	59202NRB-EC	99	76.5	11	28.6	5	56	M6x0.75	16.5	10	26	39.1	22.6	6	46.5	48.5	7300	4760	6500	0.24
16	54016NRB-EC	59016NRB-EC	99	76.5	11	28.6	5	56	M6x0.75	16.5	10	26	39.1	22.6	6	46.5	48.5	7300	4760	6500	0.24
17	54203NRB-EC	59203NRB-EC	99	76.5	11	28.6	5	56	M6x0.75	16.5	10	26	39.1	22.6	6	46.5	48.5	7300	4760	6500	0.24
20	54204NRB-EC	59204NRB-EC	114	90	11	33.3	5	64	M6x0.75	15.5	10	26	39.4	23.9	7	47.5	49.5	9850	6580	7500	0.28
25	54205NRB-EC	59205NRB-EC	130	99	11	38.1	5	70	M6x0.75	17	12.5	29	40.4	23.4	7.5	52.2	54.2	10800	7800	8000	0.37
30	54206NRB-EC	59206NRB-EC	148	117	11	44.5	6	84	M6x0.75	14.5	12.5	29	42.2	27.7	8	50.7	52.7	15000	11300	8800	0.50
35	54207NRB-EC	59207NRB-EC	163	130	14	55.6	6.5	90	M8x1.00	18	16	33	48.4	30.4	8.5	63.7	65.7	19700	15300	9000	0.68
40	54208NRB-EC	59208NRB-EC	175	144	14	60.3	6.5	100	M8x1.00	18	20	35	52.7	34.7	9	63.2	65.2	22400	17900	12500	0.80

ø d mm	cap with external fit		dimension (mm)														bearing load ratings		housing load rating max. N*	weight (Kg)
	closed	open	A	B	C	D	E	F	G	H	J	Z	T	m	n	U	V	dynamic C (N)		

CHROME STEEL BEARING WITH GRUB SCREWS (NOLU-CLEAN)

20	54204CGRB-EC	59204CGRB-EC	114	90	11	29	5	64	M6x0.75	15.5	10	26	33.5	18	7	47.5	49.5	9850	6580	7500	0.21
25	54205CGRB-EC	59205CGRB-EC	130	99	11	34	5.5	70	M6x0.75	17	12.5	29	36.5	19.5	7.5	52.2	54.2	10800	7800	8000	0.32
30	54206CGRB-EC	59206CGRB-EC	148	117	11	40.3	6	84	M6x0.75	14.5	12.5	29	36.5	22	8	50.7	52.7	15000	11300	8800	0.45
35	54207CGRB-EC	59207CGRB-EC	163	130	14	48	6.5	90	M8x1.00	18	16	33	41.5	23.5	8.5	63.7	65.7	19700	15300	9000	0.60
40	54208CGRB-EC	59208CGRB-EC	175	144	14	53	7	100	M8x1.00	18	20	35	43	25	9	63.2	65.2	22400	17900	12500	0.80

CHROME STEEL BEARING WITH ECCENTRIC RING (NOLU-CLEAN)

20	54204CGRB-EC	59204CGRB-EC	114	90	11	33.3	5	64	M6x0.75	15.5	10	26	39.4	23.9	7	47.5	49.5	9850	6580	7500	0.28
25	54205CGRB-EC	59205CGRB-EC	130	99	11	38.1	5	70	M6x0.75	17	12.5	29	40.4	23.4	7.5	52.2	54.2	10800	7800	8000	0.37
30	54206CGRB-EC	59206CGRB-EC	148	117	11	44.5	6	84	M6x0.75	14.5	12.5	29	42.2	27.7	8	50.7	52.7	15000	11300	8800	0.50
35	54207CGRB-EC	59207CGRB-EC	163	130	14	55.6	6.5	90	M8x1.00	18	16	33	48.4	30.4	8.5	63.7	65.7	19700	15300	9000	0.68
40	54208CGRB-EC	59208CGRB-EC	175	144	14	60.3	6.5	100	M8x1.00	18	20	35	52.7	34.7	9	63.2	65.2	22400	17900	12500	0.80

* MAX. RADIAL LOAD CAPACITY OF HOUSING: Values indicated in the table above, are obtained at 23°C. Strength of housing indicated on [page 115](#).

UCFH-RL

MAINTENANCE FREE

WATERPROOF



TECHNICAL INFORMATION for UCFH-RL

- **Resistance to corrosion:**
 - Polyamide version (PA): good resistance to many corrosive chemicals such as water, oils, greases, petrol, milk, wine, alcoholic beverages.
- **High load capacity.**
- **Continuous operating temperature:**
 - All our bearings can be used at temperatures between 0°C and +80°C. For lower or higher temperatures please consult our Engineering Department.
- **Self-alignment:**
 - Max misalignment between shaft and housing: 2.0°.
- **Low maintenance and trouble-free operation.**
- **Easy Cleaning.**
- **Ball bearing pre-lubricated with long-life grease, which is ideal in applications in humid conditions, with water, alkaline or acid solutions.**
- **Concept and design to meet all safety requirements.**
- **Interchangeable with standard cast iron flanged supports.**
- **Application in the food, beverage and pharmaceutical industry.**
- **Completely sealed units.**



WATERPROOF



**MAINTENANCE
FREE**

SEE ALSO...

Accessories: [p. 110](#)

Features, lubrication and maintenance: [p. 112](#)

Mounting instruction: [p. 113 - 114](#)

Calculation of load capacity, bearing life: [p. 115 - 116](#)

Chemical resistance: [p. 120 - 121](#)

COMPONENTS

- ① Housing in reinforced polyamide (Housing in reinforced polypropylene available on request).
- ② Adjustable chrome steel or stainless steel ball bearing, pre-lubricated. Can be re-lubricated by means of grease-nipple or a quick coupler.
- ④ Clip-on safety cap.
- ⑤ Spacers from nickel plated brass to reinforce fixing holes.
- ⑧ Rotary shaft seal ring with extra dust-protection lip in NBR rubber.
- ⑨ Heavy duty O-Ring in NBR rubber.

UCFH-RL

MAINTENANCE FREE - WATERPROOF

POLYAMIDE HOUSING



UCFH-RL

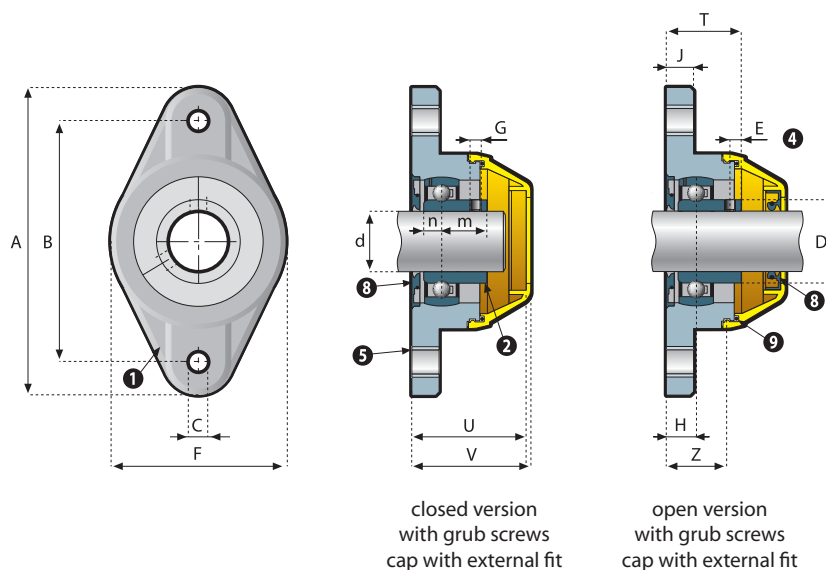
MAINTENANCE FREE - WATERPROOF

NOLU-CLEAN is a new antimicrobial material of improved hygiene.

For detailed information refer to [page 7](#).

NOLU-CLEAN HOUSING





closed version with grub screws cap with external fit

open version with grub screws cap with external fit

Preferred types, readily available (codes marked in red)

Ø d mm	cap with external fit		dimension (mm)														bearing load ratings		housing load rating max. N*	weight (Kg)	
	closed	open	A	B	C	D	E	F	G	H	J	Z	T	m	n	U	V	dynamic C (N)			static Co (N)
CHROME STEEL BEARING WITH GRUB SCREWS (POLYAMIDE)																					
20	54204NRL-EC	59204NRL-EC	114	90	11	29	5	64	M6x0.75	15.5	10	26	34.2	18.7	7	47.5	49.5	9850	6580	7500	0.20
25	54205NRL-EC	59205NRL-EC	130	99	11	34	5.5	70	M6x0.75	17	12.5	29	36.7	19.5	7.5	52.2	54.2	10800	7800	8000	0.30
30	54206NRL-EC	59206NRL-EC	148	117	11	40.3	6	84	M6x0.75	14.5	12.5	29	36.5	22	8	50.7	52.7	15000	11300	8800	0.45
35	54207NRL-EC	59207NRL-EC	163	130	14	48	6.5	90	M8x1.00	18	16	33	41.5	23.5	8.5	63.7	65.7	19700	15300	9000	0.60
40	54208NRL-EC	59208NRL-EC	175	144	14	53	7	100	M8x1.00	18	20	35	43	25	9	63.2	65.2	22400	17900	12500	0.80

* **MAX. RADIAL LOAD CAPACITY OF HOUSING:** Values indicated in the table above, are obtained at 23°C. Strength of housing indicated on [page 115](#).

Preferred types, readily available (codes marked in red)

Ø d mm	cap with external fit		dimension (mm)														bearing load ratings		housing load rating max. N*	weight (Kg)	
	closed	open	A	B	C	D	E	F	G	H	J	Z	T	m	n	U	V	dynamic C (N)			static Co (N)
CHROME STEEL BEARING WITH GRUB SCREWS (POLYAMIDE)																					
20	54204CGRL-EC	59204CGRL-EC	114	90	11	29	5	64	M6x0.75	15.5	10	26	34.2	18.7	7	47.5	49.5	9850	6580	7500	0.20
25	54205CGRL-EC	59205CGRL-EC	130	99	11	34	5.5	70	M6x0.75	17	12.5	29	36.7	19.5	7.5	52.2	54.2	10800	7800	8000	0.30
30	54206CGRL-EC	59206CGRL-EC	148	117	11	40.3	6	84	M6x0.75	14.5	12.5	29	36.5	22	8	50.7	52.7	15000	11300	8800	0.45
35	54207CGRL-EC	59207CGRL-EC	163	130	14	48	6.5	90	M8x1.00	18	16	33	41.5	23.5	8.5	63.7	65.7	19700	15300	9000	0.60
40	54208CGRL-EC	59208CGRL-EC	175	144	14	53	7	100	M8x1.00	18	20	35	43	25	9	63.2	65.2	22400	17900	12500	0.80

* **MAX. RADIAL LOAD CAPACITY OF HOUSING:** Values indicated in the table above, are obtained at 23°C. Strength of housing indicated on [page 115](#).

STANDARD



TECHNICAL INFORMATION for CL

- **Total protection with stainless steel polished surface.**
- **Solid cross-section base housing.**
- **No core cavities to trap contaminants.**
- **Resistance to corrosion:**
 - Good resistance to highly corrosive chemicals such as acid, organic liquids, detergents.
- **High load capacity.**
- **Continuous operating temperature:**
 - From -20° to +80°C. This version maintains good dimensional stability at the maximum indicated temperature.
- **Economical operation:**
 - Long life bearing insert.
- **Self-alignment:**
 - Max misalignment between shaft and housing: 2.5°.
- **Concept and design to meet all safety requirements.**
- **Interchangeable with standard cast iron flanged supports.**
- **Ball bearing pre-lubricated with long-life grease, which is ideal in applications in humid conditions, with water, alkaline or acid solutions.**

COMPONENTS

- ① Housing in reinforced polyamide (Housing in reinforced polypropylene available on request).
- ② Adjustable chrome steel or stainless steel ball bearing, pre-lubricated. Can be re-lubricated by means of grease-nipple or a quick coupler.
- ③ Ball-type grease-nipple or quick coupler from nickel plated brass (available upon request) to take semi-rigid hoses ø 4 mm in Rilsan (see accessories on [page 110](#)). Version with stainless steel bearing has a stainless steel grease nipple.
- ④ Clip-on safety cap (accessory).
- ⑤ Spacers from nickel plated brass to reinforce fixing holes.
- ⑥ Polyethylene washer for grease-nipple.
- ⑩ External housing in stainless steel AISI 304-DIN 1.4301.

CL
STANDARD

POLYAMIDE HOUSING



accessory

COLOUR

- Safety cap in yellow.
- Internal housing in black.
- For sufficient quantities parts can be produced in different colours.

SEE ALSO...

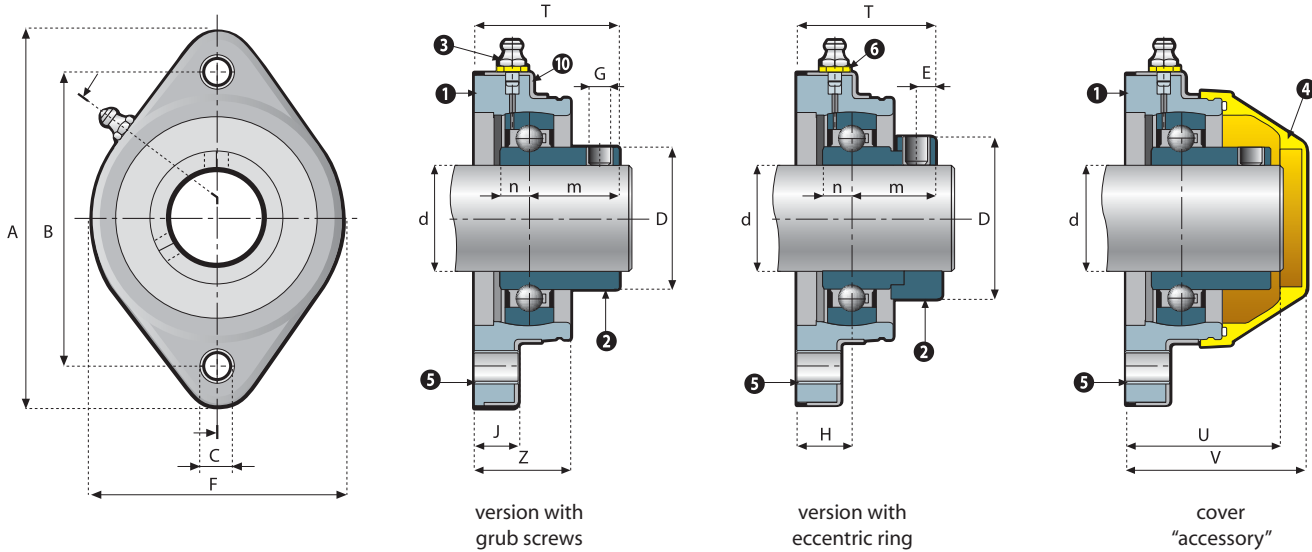
Accessories: [p. 110](#)

Features, lubrication and maintenance: [p. 112](#)

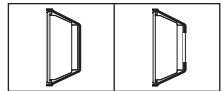
Mounting instruction: [p. 113 - 114](#)

Calculation of load capacity, bearing life: [p. 115 - 116](#)

Chemical resistance: [p. 120 - 121](#)



Accessories



Preferred types, readily available (codes marked in red)

Ø d mm	code version	dimension (mm)														bearing load ratings		housing load rating max. N*	weight (Kg)	closed safety cap code	open safety cap code									
		A	B	C	D	E	F	G	H	J	Z	T	m	n	U	V	dynamic C (N)					static Co (N)								
CHROME STEEL BEARING WITH GRUB SCREWS (POLYAMIDE)																														
30	50206CL	147	117	11	40.3	6	99	M6x0.75	21	16.5	35.5	43	22	8	55	66	15000	11300	13000	0.75	50002	50002.APE								
35	50207CL	147	117	11	48	6.5	99	M8x1.00	19	16.5	35.5	42.5	23.5	8.5	55	66	19700	15300	12800	0.80	50002	50002.APE								
40	50208CL	147	117	11	53	7	99	M8x1.00	18.25	16.5	35.5	43.25	25	9	55	66	22400	17900	12500	0.90	50002	50002.APE								
CHROME STEEL BEARING WITH ECCENTRIC RING (POLYAMIDE)																														
30	50206CLB	147	117	11	44.5	6	99	M6x0.75	21	16.5	35.5	48.7	27.7	8	55	66	15000	11300	13000	0.85	50002	50002.APE								
35	50207CLB	147	117	11	55.6	6.5	99	M8x1.00	19	16.5	35.5	49.4	30.4	8.5	55	66	19700	15300	12800	0.95	50002	50002.APE								
40	50208CLB	147	117	11	60.3	6.5	99	M8x1.00	18.25	16.5	35.5	52.95	34.7	9	55	66	22400	17900	12500	1.00	50002	50002.APE								

* **MAX. RADIAL LOAD CAPACITY OF HOUSING:** Values indicated in the table above, are obtained at 23°C. Strength of housing indicated on [page 115](#).

WATERPROOF



TECHNICAL INFORMATION for CL-R

- **Total protection with stainless steel polished surface.**
- **Solid cross-section base housing.**
- **No core cavities to trap contaminants.**
- **Resistance to corrosion:**
 - Good resistance to highly corrosive chemicals such as acid, organic liquids, detergents.
- **High load capacity.**
- **Continuous operating temperature:**
 - From -20° to +80°C. This version maintains good dimensional stability at the maximum indicated temperature.
- **Economical operation:**
 - Long life bearing insert.
- **Self-alignment:**
 - Max misalignment between shaft and housing: 2.5°.
- **Concept and design to meet all safety requirements.**
- **Interchangeable with standard cast iron flanged supports.**
- **Completely Sealed units.**
- **Ball bearing pre-lubricated with long-life grease, which is ideal in applications in humid conditions, with water, alkaline or acid solutions.**



WATERPROOF

SEE ALSO...

Accessories: [p. 110](#)Features, lubrication and maintenance: [p. 112](#)Mounting instruction: [p. 113 - 114](#)Calculation of load capacity, bearing life: [p. 115 - 116](#)Chemical resistance: [p. 120 - 121](#)

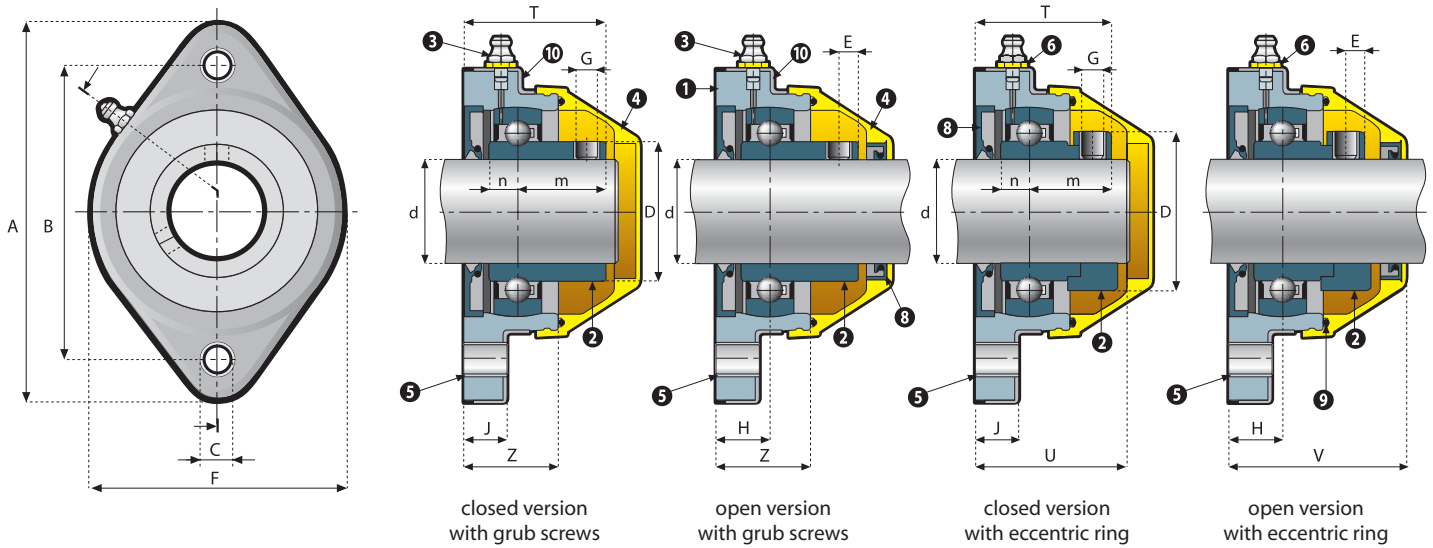
COMPONENTS

- ❶ Housing in reinforced polyamide (Housing in reinforced polypropylene available on request).
- ❷ Adjustable chrome steel or stainless steel ball bearing, pre-lubricated. Can be re-lubricated by means of grease-nipple or a quick coupler.
- ❸ Ball-type grease-nipple or quick coupler from nickel plated brass (available upon request) to take semi-rigid hoses ø 4 mm in Rilsan (see accessories on [page 110](#)). Version with stainless steel bearing has a stainless steel grease nipple.
- ❹ Clip-on safety cap.
- ❺ Spacers from nickel plated brass to reinforce fixing holes.
- ❻ Polyethylene washer for grease-nipple.
- ❼ Rotary shaft seal ring with extra dust-protection lip in NBR rubber.
- ❽ Heavy duty O-Ring in NBR rubber.
- ❾ External housing in stainless steel AISI 304-DIN 1.4301.

CL-R
WATERPROOF

POLYAMIDE HOUSING





Preferred types, readily available (codes marked in red)

∅ d mm	code version		dimension (mm)														bearing load ratings		housing load rating max. N*	weight (Kg)
	closed	open	A	B	C	D	E	F	G	H	J	Z	T	m	n	U	V	dynamic C (N)		

CHROME STEEL BEARING WITH GRUB SCREWS (POLYAMIDE)

30	50206CLR	55206CLR	147	117	11	40.3	6	99	M6x0.75	21	16.5	35.5	43	22	8	55	66	15000	11300	13000	0.75
35	50207CLR	55207CLR	147	117	11	48	6.5	99	M8x1.00	19	16.5	35.5	42.5	23.5	8.5	55	66	19700	15300	12800	0.80
40	50208CLR	55208CLR	147	117	11	53	7	99	M8x1.00	18.25	16.5	35.5	43.25	25	9	55	66	22400	17900	12500	0.90

CHROME STEEL BEARING WITH ECCENTRIC RING (POLYAMIDE)

30	50206CLBR	55206CLBR	147	117	11	44.5	6	99	M6x0.75	21	16.5	35.5	48.7	27.7	8	55	66	15000	11300	13000	0.85
35	50207CLBR	55207CLBR	147	117	11	55.6	6.5	99	M8x1.00	19	16.5	35.5	49.4	30.4	8.5	55	66	19700	15300	12800	0.95
40	50208CLBR	55208CLBR	147	117	11	60.3	6.5	99	M8x1.00	18.25	16.5	35.5	52.95	34.7	9	55	66	22400	17900	12500	1.00

STAINLESS STEEL BEARING WITH GRUB SCREWS (POLYAMIDE)

30	50206CLRS	55206CLRS	147	117	11	40.3	6	99	M6x0.75	21	16.5	35.5	43	22	8	55	66	11250	8400	13000	0.75
35	50207CLRS	55207CLRS	147	117	11	48	6.5	99	M8x1.00	19	16.5	35.5	42.5	23.5	8.5	55	66	14700	11400	12800	0.80
40	50208CLRS	55208CLRS	147	117	11	53	7	99	M8x1.00	18.25	16.5	35.5	43.25	25	9	55	66	16800	13400	12500	0.90

* **MAX. RADIAL LOAD CAPACITY OF HOUSING:** Values indicated in the table above, are obtained at 23°C. Strength of housing indicated on [page 115](#).

CL-RL

MAINTENANCE FREE

WATERPROOF



TECHNICAL INFORMATION for CL-RL

- **Total protection with stainless steel polished surface.**
- **Solid cross-section base housing.**
- **No core cavities to trap contaminants.**
- **Resistance to corrosion:**
 - Good resistance to highly corrosive chemicals such as acid, organic liquids, detergents.
- **High load capacity.**
- **Continuous operating temperature:**
 - From -20° to +80°C. This version maintains good dimensional stability at the maximum indicated temperature.
- **Economical operation:**
 - Long life bearing insert.
- **Self-alignment:**
 - Max misalignment between shaft and housing: 2.5°.
- **Concept and design to meet all safety requirements.**
- **Interchangeable with standard cast iron flanged supports.**
- **Completely Sealed units.**
- **Ball bearing pre-lubricated with long-life grease, which is ideal in applications in humid conditions, with water, alkaline or acid solutions.**

COMPONENTS

- ① Housing in reinforced polyamide (Housing in reinforced polypropylene available on request).
- ② Adjustable chrome steel or stainless steel ball bearing, pre-lubricated. Can be re-lubricated by means of grease-nipple or a quick coupler.
- ④ Clip-on safety cap.
- ⑤ Spacers from nickel plated brass to reinforce fixing holes.
- ⑧ Rotary shaft seal ring with extra dust-protection lip in NBR rubber.
- ⑨ Heavy duty O-Ring in NBR rubber.
- ⑩ External housing in stainless steel AISI 304-DIN 1.4301.
- ⑫ Plastic plug.

CL-RL

MAINTENANCE FREE - WATERPROOF

POLYAMIDE HOUSING



WATERPROOF



MAINTENANCE
FREE

SEE ALSO...

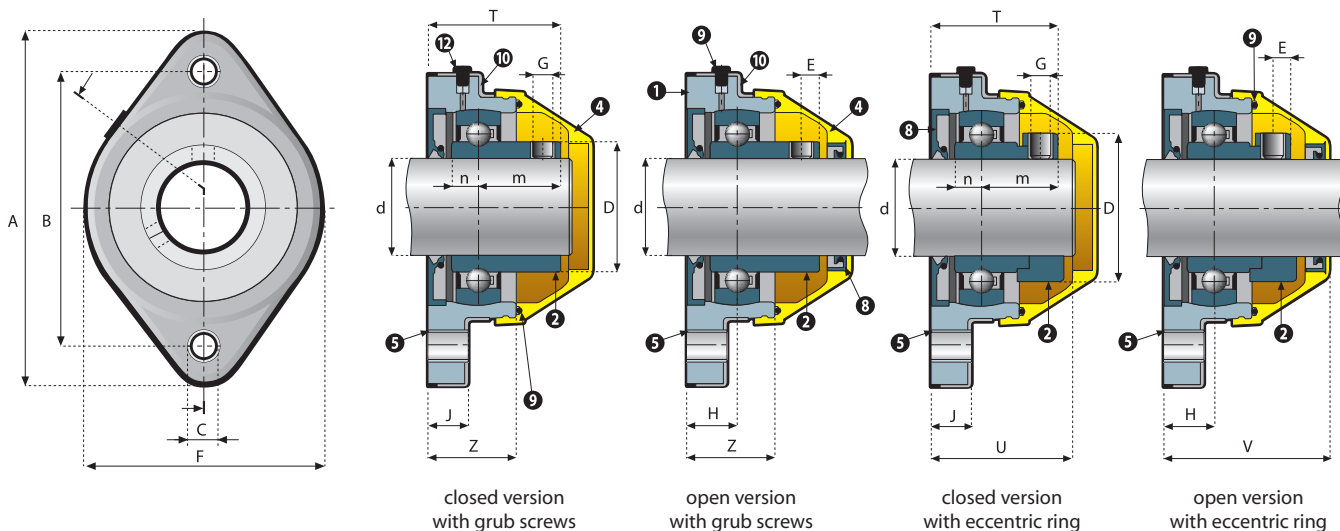
Accessories: [p. 110](#)

Features, lubrication and maintenance: [p. 112](#)

Mounting instruction: [p. 113 - 114](#)

Calculation of load capacity, bearing life: [p. 115 - 116](#)

Chemical resistance: [p. 120 - 121](#)



Preferred types, readily available (codes marked in red)

ø d mm	code version		dimension (mm)														bearing load ratings		housing load rating max. N*	weight (Kg)	
	closed	open	A	B	C	D	E	F	G	H	J	Z	T	m	n	U	V	dynamic C (N)			static Co (N)
CHROME STEEL BEARING WITH GRUB SCREWS (POLYAMIDE)																					
30	50206CLRL	55206CLRL	147	117	11	40.3	6	99	M6x0.75	21	16.5	35.5	43	22	8	55	66	15000	11300	13000	0.75
35	50207CLRL	55207CLRL	147	117	11	48	6.5	99	M8x1.00	19	16.5	35.5	42.5	23.5	8.5	55	66	19700	15300	12800	0.80
40	50208CLRL	55208CLRL	147	117	11	53	7	99	M8x1.00	18.25	16.5	35.5	43.25	25	9	55	66	22400	17900	12500	0.90
CHROME STEEL BEARING WITH ECCENTRIC RING (POLYAMIDE)																					
40	50208CLBRL	55208CLBRL	147	117	11	60.3	6.5	99	M8x1.00	18.25	16.5	35.5	52.95	34.7	9	55	66	22400	17900	12500	1.00

* MAX. RADIAL LOAD CAPACITY OF HOUSING: Values indicated in the table above, are obtained at 23°C. Strength of housing indicated on [page 115](#).

STANDARD



TECHNICAL INFORMATION for UCFT

- **Resistance to corrosion:**
 - Polyamide version (PA): good resistance to many corrosive chemicals such as water, oils, greases, petrol, milk, wine, alcoholic beverages.
- **High load capacity.**
- **Continuous operating temperature:**
 - All our bearings can be used at temperatures between 0°C and +80°C. For lower or higher temperatures please consult our Engineering Department.
- **Self-alignment:**
 - Max misalignment between shaft and housing: 2.5°.
- **Low maintenance and trouble-free operation.**
- **Easy Cleaning.**
- **Ball bearing pre-lubricated with long-life grease, which is ideal in applications in humid conditions, with water, alkaline or acid solutions.**
- **Concept and design to meet all safety requirements.**
- **Interchangeable with standard cast iron flanged supports.**
- **Application in the food, beverage and pharmaceutical industry.**

COMPONENTS

- ❶ Housing in reinforced polyamide (Housing in reinforced polypropylene available on request).
- ❷ Adjustable chrome steel or stainless steel ball bearing, pre-lubricated. Can be re-lubricated by means of grease-nipple or a quick coupler.
- ❸ Ball-type grease-nipple or quick coupler from nickel plated brass (available upon request) to take semi-rigid hoses ø 4 mm in Rilsan (see accessories on [page 110](#)). Version with stainless steel bearing has a stainless steel grease nipple.
- ❹ Clip-on safety cap (accessory).
- ❺ Washer UNI 6592, stainless steel AISI 304-DIN 1.4301.

UCFT STANDARD

POLYAMIDE HOUSING



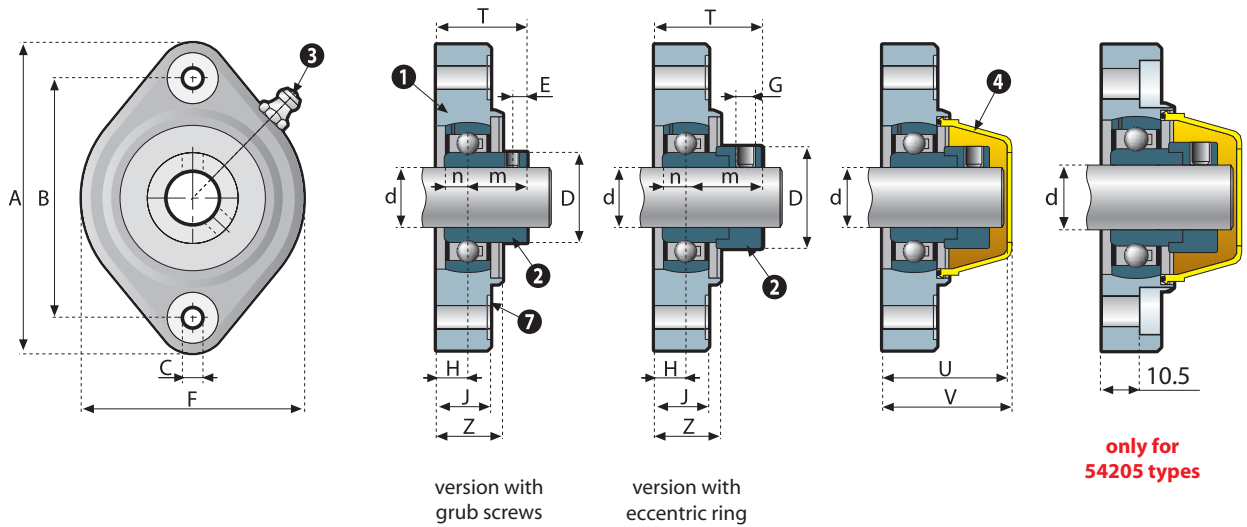
accessory

COLOUR

- Safety cap in yellow.
- Internal housing in black.
- For sufficient quantities parts can be produced in different colours.

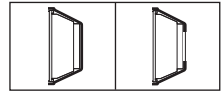
SEE ALSO...

Accessories: [p. 110](#)
 Features, lubrication and maintenance: [p. 112](#)
 Mounting instruction: [p. 113 - 114](#)
 Calculation of load capacity, bearing life: [p. 115 - 116](#)
 Chemical resistance: [p. 120 - 121](#)



Preferred types, readily available (codes marked in red)

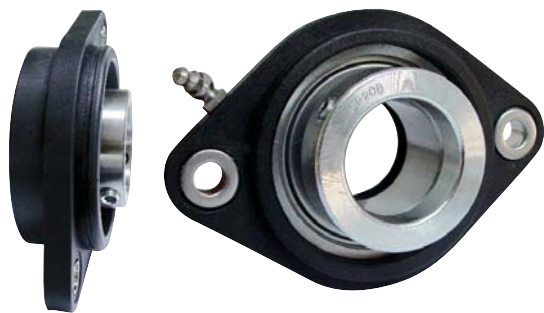
Accessories



Ø d mm	code version	dimension (mm)														bearing load ratings		housing load rating max. N*	weight (Kg)	closed safety cap code	open safety cap code	
		A	B	C	D	E	F	G	H	J	Z	T	m	n	U	V	dynamic C (N)					static Co (N)
CHROME STEEL BEARING WITH GRUB SCREWS (POLYAMIDE)																						
12	54201TN	81	63.5	6.5	24.6	4	58.5	M5x0.80	8.5	16	19	24.5	16	6	33	35	7300	4760	6500	0.20	50024	50024.APE
15	54202TN	81	63.5	6.5	24.6	4	58.5	M5x0.80	8.5	16	19	24.5	16	6	33	35	7300	4760	6500	0.20	50024	50024.APE
16	54016TN	81	63.5	6.5	24.6	4	58.5	M5x0.80	8.5	16	19	24.5	16	6	33	35	7300	4760	6500	0.20	50024	50024.APE
17	54203TN	81	63.5	6.5	24.6	4	58.5	M5x0.80	8.5	16	19	24.5	16	6	33	35	7300	4760	6500	0.20	50024	50024.APE
25	54205TN	96	76	8.5	34	5.5	71	M6x0.75	10.5	18.5	21.5	30	19.5	7.5	44.5	46.5	10800	7800	10000	0.32	50009	50009.APE
CHROME STEEL BEARING WITH ECCENTRIC RING (POLYAMIDE)																						
12	54201TNB	81	63.5	6.5	28.6	5	58.5	M6x0.75	8.5	16	19	31.1	22.6	6	33	35	7300	4760	6500	0.23	50024	50024.APE
15	54202TNB	81	63.5	6.5	28.6	5	58.5	M6x0.75	8.5	16	19	31.1	22.6	6	33	35	7300	4760	6500	0.23	50024	50024.APE
16	54016TNB	81	63.5	6.5	28.6	5	58.5	M6x0.75	8.5	16	19	31.1	22.6	6	33	35	7300	4760	6500	0.23	50024	50024.APE
17	54203TNB	81	63.5	6.5	28.6	5	58.5	M6x0.75	8.5	16	19	31.1	22.6	6	33	35	7300	4760	6500	0.23	50024	50024.APE
25	54205TNB	96	76	8.5	38.1	5	71	M6x0.75	10.5	18.5	21.5	33.9	23.4	7.5	44.5	46.5	10800	7800	10000	0.35	50009	50009.APE
STAINLESS STEEL BEARING WITH GRUB SCREWS (POLYAMIDE)																						
25	54205TN/SS	96	76	8.5	34	5.5	71	M6x0.75	10.5	18.5	21.5	30	19.5	7.5	44.5	46.5	8100	5800	10000	0.32	50009	50009.APE

* **MAX. RADIAL LOAD CAPACITY OF HOUSING:** Values indicated in the table above, are obtained at 23°C. Strength of housing indicated on [page 115](#).

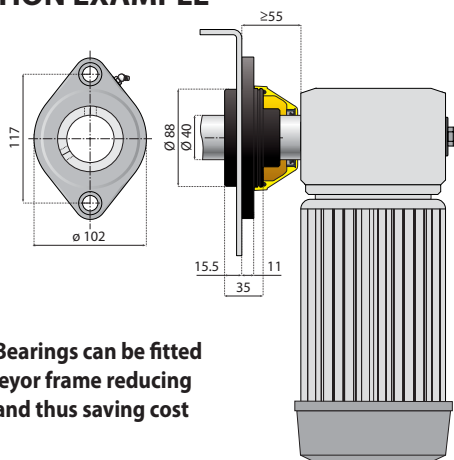
STANDARD



TECHNICAL INFORMATION for CB

- **Resistance to corrosion:**
 - Polyamide version (PA): good resistance to many corrosive chemicals such as water, oils, greases, petrol, milk, wine, alcoholic beverages.
 - Polypropylene version (PP): excellent resistance to highly corrosive chemicals such as acids, organic liquids, detergents.
- **Load capacity:**
 - Housings in PA have a higher load capacity than housings in PP. See tables.
- **Continuous operating temperature:**
 - All our bearings can be used at temperatures between 0°C and +80°C. For lower or higher temperatures please consult our Engineering Department.
- **Economical operation.**
 - Long life bearing insert.
- **Self-alignment:**
 - Max misalignment between shaft and housing: 2.5°.
- **Concept and design to meet all safety requirements.**
- **Interchangeable with standard cast iron flanged supports.**
- **Ball bearing pre-lubricated with long-life grease, which is ideal in applications in humid conditions, with water, alkaline or acid solutions.**

APPLICATION EXAMPLE



CB Compact Bearings can be fitted into the conveyor frame reducing shaft length and thus saving cost and space.

SEE ALSO...

- Accessories: [p. 110](#)
- Features, lubrication and maintenance: [p. 112](#)
- Mounting instruction: [p. 113 - 114](#)
- Calculation of load capacity, bearing life: [p. 115 - 116](#)
- Chemical resistance: [p. 120 - 121](#)

COMPONENTS

- 1 Housing in reinforced polyamide (Housing in reinforced polypropylene available on request).
- 2 Adjustable chrome steel or stainless steel ball bearing, pre-lubricated. Can be re-lubricated by means of grease-nipple or a quick coupler.
- 3 Ball-type grease-nipple or quick coupler from nickel plated brass (available upon request) to take semi-rigid hoses \varnothing 4 mm in Rilsan (see accessories on [page 110](#)). Version with stainless steel bearing has a stainless steel grease nipple.
- 4 Clip-on safety cap (accessory).
- 5 Spacers from nickel plated brass to reinforce fixing holes.
- 6 Polyethylene washer for grease-nipple.
- 7 Washer UNI 6592, stainless steel AISI 304-DIN 1.4301.

CB STANDARD

POLYAMIDE HOUSING



COLOUR

- Safety cap in yellow.
- **Transparent caps are also available:**
Code closed cap: 50002T
Code open cap: 50002T.APE.
- For sufficient quantities parts can be produced in different colours.

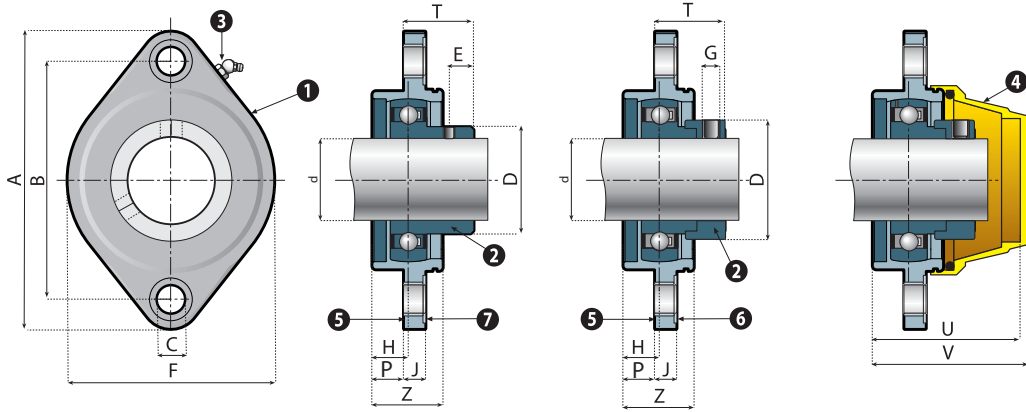
CB STANDARD

POLYPROPYLENE HOUSING



COLOUR

- Safety cap in yellow.
- **Transparent caps are also available:**
Code closed cap: 50002T
Code open cap: 50002T.APE.
- For sufficient quantities parts can be produced in different colours.

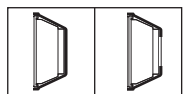


version with grub screws

version with eccentric ring

cap with external fit

Accessories



Preferred types, readily available (codes marked in red)

Ø d mm	code version	dimension (mm)															bearing load ratings		housing load rating max. N*	weight (Kg)	closed safety cap code	open safety cap code	
		A	B	C	D	E	F	G	H	J	P	Z	T	m	n	U	V	dynamic C (N)					static Co (N)
CHROME STEEL BEARING WITH GRUB SCREWS (POLYAMIDE)																							
30	54206CB	146.5	117	11	40.3	6	102	M6x0.75	21	11	15.5	35	27.5	22	8	65	67	15000	11300	13000	0.4	50002	50002.APE
40	54208CB	146.5	117	11	53	7	102	M8x1.00	18	11	15.5	35	27.5	25	9	65	67	22400	17900	12500	0.6	50002	50002.APE
CHROME STEEL BEARING WITH ECCENTRIC RING (POLYAMIDE)																							
30	54206CBB	146.5	117	11	44.5	6	102	M6x0.75	21	11	15.5	35	33.2	27.7	8	65	67	15000	11300	13000	0.55	50002	50002.APE
40	54208CBB	146.5	117	11	60.3	6.5	102	M8x1.00	18	11	15.5	35	37.2	34.7	9	65	67	22400	17900	12500	0.75	50002	50002.APE
STAINLESS STEEL BEARING WITH GRUB SCREWS (POLYAMIDE)																							
30	54206CB/SS	146.5	117	11	40.3	6	102	M6x0.75	21	11	15.5	35	27.5	22	8	65	67	11250	8400	13000	0.45	50002	50002.APE
40	54208CB/SS	146.5	117	11	53	7	102	M8x1.00	18	11	15.5	35	27.5	25	9	65	67	16800	13400	12500	0.65	50002	50002.APE

* **MAX. RADIAL LOAD CAPACITY OF HOUSING:** Values indicated in the table above, are obtained at 23°C. Strength of housing indicated on [page 115](#).

Preferred types, readily available (codes marked in red)

Ø d mm	code version	dimension (mm)															bearing load ratings		housing load rating max. N*	weight (Kg)	closed safety cap code	open safety cap code	
		A	B	C	D	E	F	G	H	J	P	Z	T	m	n	U	V	dynamic C (N)					static Co (N)
STAINLESS STEEL BEARING WITH GRUB SCREWS (POLYPROPYLENE)																							
30	64206CB/SS	146.5	117	11	40.3	6	102	M6x0.75	21	11	15.5	35	27.5	22	8	65	67	11250	8400	7200	0.45	50002	50002.APE
40	64208CB/SS	146.5	117	11	53	7	102	M8x1.00	18	11	15.5	35	27.5	25	9	65	67	16800	13400	7000	0.65	50002	50002.APE

* **MAX. RADIAL LOAD CAPACITY OF HOUSING:** Values indicated in the table above, are obtained at 23°C. Strength of housing indicated on [page 115](#).

WATERPROOF



TECHNICAL INFORMATION for CB-R

- **Resistance to corrosion:**
 - Polyamide version (PA): good resistance to many corrosive chemicals such as water, oils, greases, petrol, milk, wine, alcoholic beverages.
 - Polypropylene version (PP): excellent resistance to highly corrosive chemicals such as acids, organic liquids, detergents.
- **Load capacity:**
 - Housings in PA have a higher load capacity than housings in PP. See tables.
- **Continuous operating temperature:**
 - All our bearings can be used at temperatures between 0°C and +80°C. For lower or higher temperatures please consult our Engineering Department.
- **Economical operation.**
 - Long life bearing insert.
- **Self-alignment:**
 - Max misalignment between shaft and housing: 2.5°.
- **Concept and design to meet all safety requirements.**
- **Interchangeable with standard cast iron flanged supports.**
- **Ball bearing pre-lubricated with long-life grease, which is ideal in applications in humid conditions, with water, alkaline or acid solutions.**
- **Completely Sealed units.**



WATERPROOF

SEE ALSO...

- Accessories: [p. 110](#)
 Features, lubrication and maintenance: [p. 112](#)
 Mounting instruction: [p. 113 - 114](#)
 Calculation of load capacity, bearing life: [p. 115 - 116](#)
 Chemical resistance: [p. 120 - 121](#)

COMPONENTS

- ❶ Housing in reinforced polyamide (Housing in reinforced polypropylene available on request).
- ❷ Adjustable chrome steel or stainless steel ball bearing, pre-lubricated. Can be re-lubricated by means of grease-nipple or a quick coupler.
- ❸ Ball-type grease-nipple or quick coupler from nickel plated brass (available upon request) to take semi-rigid hoses ø 4 mm in Rilsan (see accessories on [page 110](#)). Version with stainless steel bearing has a stainless steel grease nipple.
- ❹ Clip-on safety cap.
- ❺ Spacers from nickel plated brass to reinforce fixing holes.
- ❻ Washer UNI 6592, stainless steel AISI 304-DIN 1.4301.
- ❼ Rotary shaft seal ring with extra dust-protection lip in NBR rubber.
- ❽ Heavy duty O-Ring in NBR rubber.

CB-R WATERPROOF

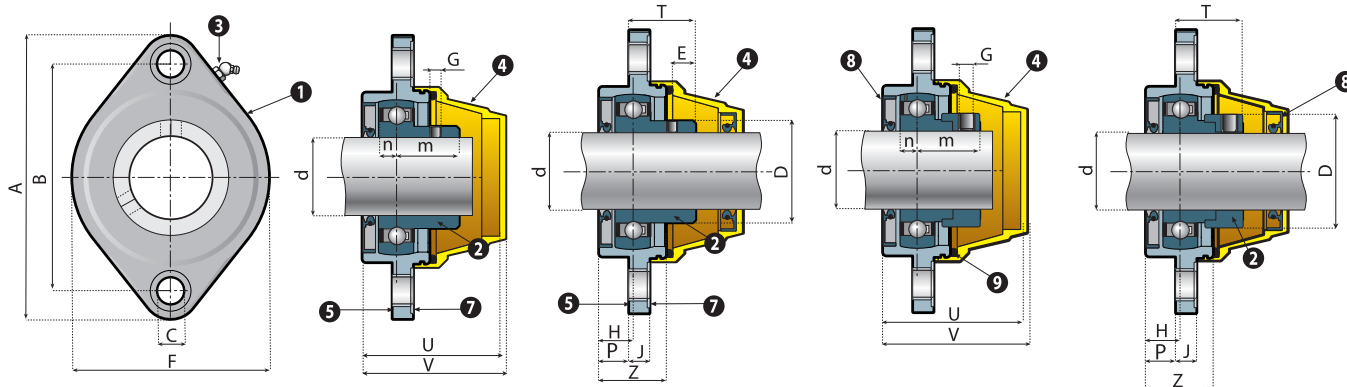
POLYAMIDE HOUSING



CB-R WATERPROOF

POLYPROPYLENE HOUSING





closed version with grub screws

open version with grub screws

closed version with eccentric ring

open version with eccentric ring

Preferred types, readily available (codes marked in red)

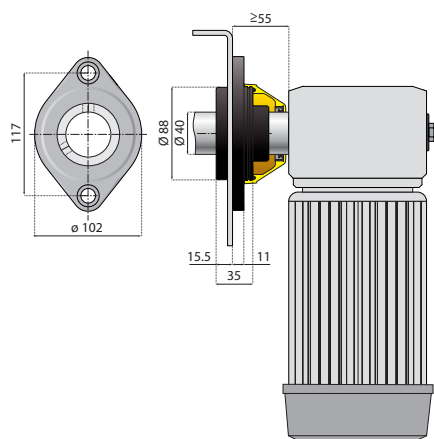
Ø d mm	code version		safety cap code	dimension (mm)																bearing load ratings		housing load rating max. N*	weight (Kg)
	closed	open		A	B	C	D	E	F	G	H	J	P	Z	T	m	n	U	V	dynamic C (N)	static Co (N)		
CHROME STEEL BEARING WITH GRUB SCREWS (POLYAMIDE)																							
30	54206CBR	59206CBR	50002	146.5	117	11	40.3	6	102	M6x0.75	21	11	15.5	35	27.5	22	8	65	67	15000	11300	13000	0.4
40	54208CBR	59208CBR	50002	146.5	117	11	53	7	102	M8x1.00	18	11	15.5	35	27.5	25	9	65	67	22400	17900	12500	0.6
CHROME STEEL BEARING WITH ECCENTRIC RING (POLYAMIDE)																							
30	54206CBBR	59206CBBR	50002	146.5	117	11	44.5	6	102	M6x0.75	21	11	15.5	35	33.2	27.7	8	65	67	15000	11300	13000	0.55
40	54208CBBR	59208CBBR	50002	146.5	117	11	60.3	6.5	102	M8x1.00	18	11	15.5	35	37.2	34.7	9	65	67	22400	17900	12500	0.75
STAINLESS STEEL BEARING WITH GRUB SCREWS (POLYAMIDE)																							
30	54206CBR/SS	59206CBR/SS	50002	146.5	117	11	40.3	6	102	M6x0.75	21	11	15.5	35	27.5	22	8	65	67	11250	8400	13000	0.45
40	54208CBR/SS	59208CBR/SS	50002	146.5	117	11	53	7	102	M8x1.00	18	11	15.5	35	27.5	25	9	65	67	16800	13400	12500	0.65

* **MAX. RADIAL LOAD CAPACITY OF HOUSING:** Values indicated in the table above, are obtained at 23°C. Strength of housing indicated on [page 115](#).

Ø d mm	code version		safety cap code	dimension (mm)																bearing load ratings		housing load rating max. N*	weight (Kg)
	closed	open		A	B	C	D	E	F	G	H	J	P	Z	T	m	n	U	V	dynamic C (N)	static Co (N)		
STAINLESS STEEL BEARING WITH GRUB SCREWS (POLYPROPYLENE)																							
30	64206CBR/SS	69206CBR/SS	50002	146.5	117	11	40.3	6	102	M6x0.75	21	11	15.5	35	27.5	22	8	65	67	11250	8400	7200	0.45
40	64208CBR/SS	69208CBR/SS	50002	146.5	117	11	53	7	102	M8x1.00	18	11	15.5	35	27.5	25	9	65	67	16800	13400	7000	0.65

* **MAX. RADIAL LOAD CAPACITY OF HOUSING:** Values indicated in the table above, are obtained at 23°C. Strength of housing indicated on [page 115](#).

APPLICATION EXAMPLE



CB Compact Bearings can be fitted into the conveyor frame reducing shaft length and thus saving cost and space.

CB-RL

MAINTENANCE FREE

WATERPROOF



TECHNICAL INFORMATION for CB-RL

- **Resistance to corrosion:**
 - Polyamide version (PA): good resistance to many corrosive chemicals such as water, oils, greases, petrol, milk, wine, alcoholic beverages.
 - Polypropylene version (PP): excellent resistance to highly corrosive chemicals such as acids, organic liquids, detergents.
- **Load capacity:**
 - Housings in PA have a higher load capacity than housings in PP. See tables.
- **Continuous operating temperature:**
 - All our bearings can be used at temperatures between 0°C and +80°C. For lower or higher temperatures please consult our Engineering Department.
- **Economical operation.**
 - Long life bearing insert.
- **Self-alignment:**
 - Max misalignment between shaft and housing: 2.5°.
- **Concept and design to meet all safety requirements.**
- **Interchangeable with standard cast iron flanged supports.**
- **Ball bearing pre-lubricated with long-life grease, which is ideal in applications in humid conditions, with water, alkaline or acid solutions.**
- **Completely Sealed units.**



WATERPROOF



MAINTENANCE
FREE

SEE ALSO...

Accessories: [p. 110](#)

Features, lubrication and maintenance: [p. 112](#)

Mounting instruction: [p. 113 - 114](#)

Calculation of load capacity, bearing life: [p. 115 - 116](#)

Chemical resistance: [p. 120 - 121](#)

COMPONENTS

- 1 Housing in reinforced polyamide (Housing in reinforced polypropylene available on request).
- 2 Adjustable chrome steel or stainless steel ball bearing, pre-lubricated. Can be re-lubricated by means of grease-nipple or a quick coupler.
- 4 Clip-on safety cap.
- 5 Spacers from nickel plated brass to reinforce fixing holes.
- 7 Washer UNI 6592, stainless steel AISI 304-DIN 1.4301.
- 8 Rotary shaft seal ring with extra dust-protection lip in NBR rubber.
- 9 Heavy duty O-Ring in NBR rubber.
- 12 Plastic plug.

CB-RL

MAINTENANCE FREE - WATERPROOF

POLYAMIDE HOUSING

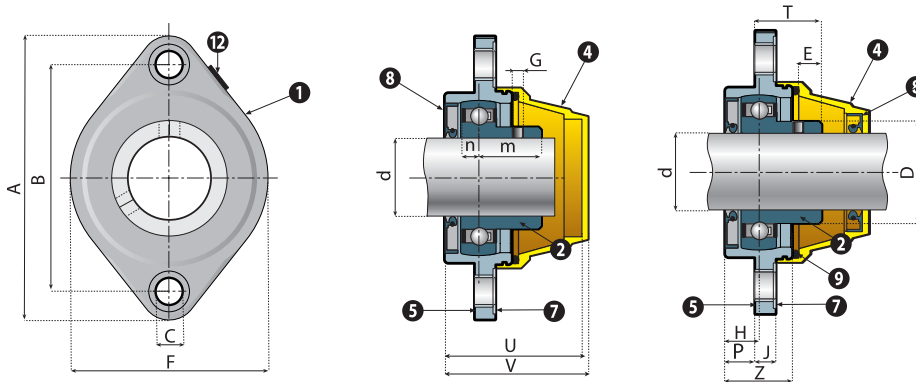


CB-RL

MAINTENANCE FREE - WATERPROOF

POLYPROPYLENE HOUSING





closed version with grub screws

open version with grub screws

Preferred types, readily available (codes marked in red)

Ø d mm	code version		safety cap code	dimension (mm)																bearing load ratings		housing load rating max. N*	weight (Kg)
	closed	open		A	B	C	D	E	F	G	H	J	P	Z	T	m	n	U	V	dynamic C (N)	static Co (N)		

CHROME STEEL BEARING WITH GRUB SCREWS (POLYAMIDE)

30	54206CBRL	59206CBRL	50002	146.5	117	11	40.3	6	102	M6x0.75	21	11	15.5	35	27.5	22	8	65	67	15000	11300	13000	0.4
40	54208CBRL	59208CBRL	50002	146.5	117	11	53	7	102	M8x1.00	18	11	15.5	35	27.5	25	9	65	67	22400	17900	12500	0.6

* **MAX. RADIAL LOAD CAPACITY OF HOUSING:** Values indicated in the table above, are obtained at 23°C. Strength of housing indicated on [page 115](#).

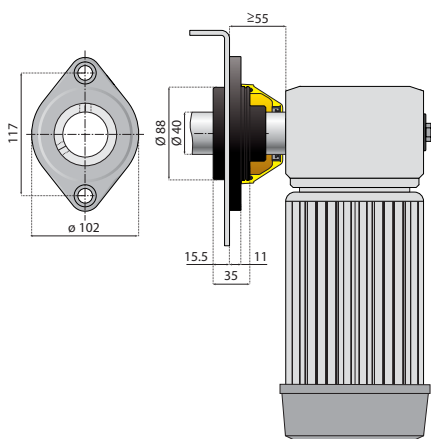
Ø d mm	code version		safety cap code	dimension (mm)																bearing load ratings		housing load rating max. N*	weight (Kg)
	closed	open		A	B	C	D	E	F	G	H	J	P	Z	T	m	n	U	V	dynamic C (N)	static Co (N)		

CHROME STEEL BEARING WITH GRUB SCREWS (POLYPROPYLENE)

30	64206CBRL	69206CBRL	50002	146.5	117	11	40.3	6	102	M6x0.75	21	11	15.5	35	27.5	22	8	65	67	15000	11300	7200	0.4
40	64208CBRL	69208CBRL	50002	146.5	117	11	53	7	102	M8x1.00	18	11	15.5	35	27.5	25	9	65	67	22400	17900	7000	0.6

* **MAX. RADIAL LOAD CAPACITY OF HOUSING:** Values indicated in the table above, are obtained at 23°C. Strength of housing indicated on [page 115](#).

APPLICATION EXAMPLE



CB Compact Bearings can be fitted into the conveyor frame reducing shaft length and thus saving cost and space.

STANDARD



TECHNICAL INFORMATION for UCFC

- **Resistance to corrosion:**

- Polyamide version (PA): good resistance to many corrosive chemicals such as water, oils, greases, petrol, milk, wine, alcoholic beverages.
- Polypropylene version (PP): excellent resistance to highly corrosive chemicals such as acids, organic liquids, detergents.

- **Load capacity:**

- Housings in PA have a higher load capacity than housings in PP. See tables.

- **Continuous operating temperature:**

- All our bearings can be used at temperatures between 0°C and +80°C. For lower or higher temperatures please consult our Engineering Department.

- **Economical operation.**

- Long life bearing insert.

- **Self-alignment:**

- Max misalignment between shaft and housing: 2.5°.

- **Concept and design to meet all safety requirements.**

- **Interchangeable with standard cast iron flanged supports.**

- **Ball bearing pre-lubricated with long-life grease, which is ideal in applications in humid conditions, with water, alkaline or acid solutions.**

COMPONENTS

- 1 Housing in reinforced polyamide (Housing in reinforced polypropylene available on request).
- 2 Adjustable chrome steel or stainless steel ball bearing, pre-lubricated. Can be re-lubricated by means of grease-nipple or a quick coupler.
- 3 Ball-type grease-nipple or quick coupler from nickel plated brass (available upon request) to take semi-rigid hoses \varnothing 4 mm in Rilsan (see accessories on [page 110](#)). Version with stainless steel bearing has a stainless steel grease nipple.
- 4 Clip-on safety cap (accessory).
- 5 Spacers from nickel plated brass to reinforce fixing holes.
- 7 Washer UNI 6592, stainless steel AISI 304-DIN 1.4301.

UCFC
STANDARD

POLYAMIDE HOUSING



accessory

COLOUR

- Safety cap in yellow.
- Internal housing in black.
- For sufficient quantities parts can be produced in different colours.

UCFC
STANDARD

POLYPROPYLENE HOUSING



accessory

COLOUR

- Safety cap in yellow.
- Internal housing in black.
- For sufficient quantities parts can be produced in different colours.

SEE ALSO...

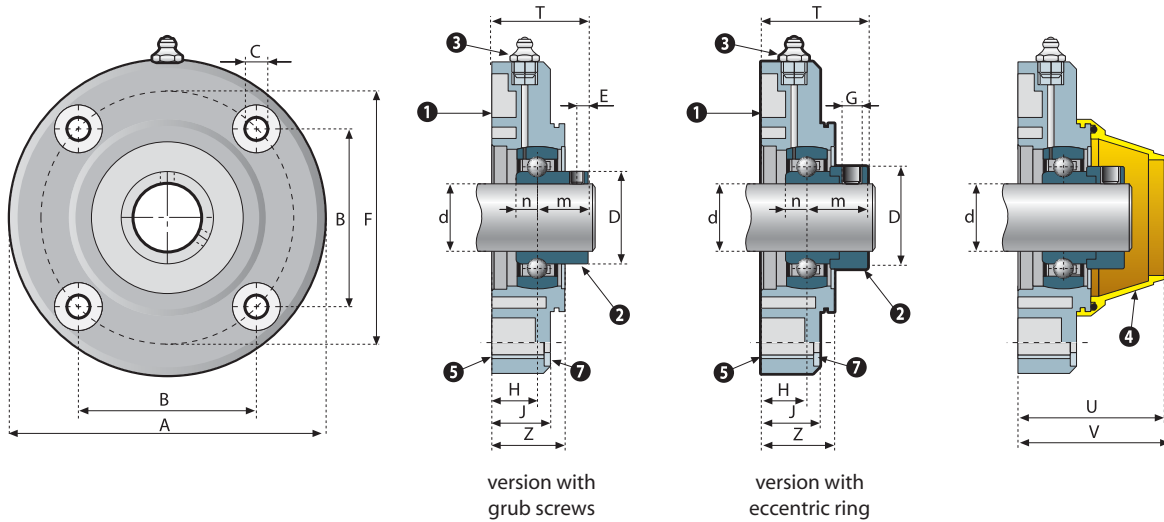
Accessories: [p. 110](#)

Features, lubrication and maintenance: [p. 112](#)

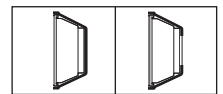
Mounting instruction: [p. 113 - 114](#)

Calculation of load capacity, bearing life: [p. 115 - 116](#)

Chemical resistance: [p. 120 - 121](#)



Accessories



Preferred types, readily available (codes marked in red)

Ø d mm	code version	dimension (mm)														bearing load ratings		housing load rating max. N*	weight (Kg)	closed safety cap code	open safety cap code		
		A	B	C	D	E	F	G	H	J	Z	T	m	n	U	V	dynamic C (N)					static Co (N)	
CHROME STEEL BEARING WITH GRUB SCREWS (POLYAMIDE)																							
25	50205C	122	70	8.5	34	5.5	99	M6x0.75	10.5	22.6	22.6	30	19.5	7.5	45.6	47.6	10800	7800	9500	0.45	50009	50009.APE	
30	50206CA	122	70	8.5	40.3	6	99	M6x0.75	11.5	22.6	22.6	33.5	22	8	49.6	51.6	15000	11300	9300	0.50	50010	50010.APE	
30	50206C	137	78	11	40.3	6	110	M6x0.75	20	25	32	42	22	8	63	65	15000	11300	13000	0.70	50004	50004.APE	
35	50207C	137	78	11	48	6.5	110	M8x1.00	19	25	32	42.5	23.5	8.5	63	65	19700	15300	12800	0.80	50004	50004.APE	
CHROME STEEL BEARING WITH ECCENTRIC RING (POLYAMIDE)																							
25	50205CB	122	70	8.5	38.1	5	99	M6x0.75	10.5	22.6	22.6	33.9	23.4	7.5	45.6	47.6	10800	7800	9500	0.50	50009	50009.APE	
30	50206CAB	122	70	8.5	44.5	6	99	M6x0.75	11.5	22.6	22.6	39.2	27.7	8	49.6	51.6	15000	11300	9300	0.55	50010	50010.APE	
30	50206CB	137	78	11	44.5	6	110	M6x0.75	20	25	32	47.7	27.7	8	63	65	15000	11300	13000	0.75	50004	50004.APE	
35	50207CB	137	78	11	55.6	6.5	110	M8x1.00	19	25	32	49.4	30.4	8.5	63	65	19700	15300	12800	0.87	50004	50004.APE	
STAINLESS STEEL BEARING WITH GRUB SCREWS (POLYAMIDE)																							
25	50205C/SS	122	70	8.5	34	5.5	99	M6x0.75	10.5	22.6	22.6	30	19.5	7.5	45.6	47.6	8100	5800	9500	0.45	50009	50009.APE	
30	50206CA/SS	122	70	8.5	40.3	6	99	M6x0.75	11.5	22.6	22.6	33.5	22	8	49.6	51.6	11250	8400	9300	0.50	50010	50010.APE	
30	50206C/SS	137	78	11	40.3	6	110	M6x0.75	20	25	32	42	22	8	63	65	11250	8400	13000	0.70	50004	50004.APE	
35	50207C/SS	137	78	11	48	6.5	110	M8x1.00	19	25	32	42.5	23.5	8.5	63	65	14750	11400	12800	0.80	50004	50004.APE	

* **MAX. RADIAL LOAD CAPACITY OF HOUSING:** Values indicated in the table above, are obtained at 23°C. Strength of housing indicated on [page 115](#).

Ø d mm	code version	dimension (mm)														bearing load ratings		housing load rating max. N*	weight (Kg)	closed safety cap code	open safety cap code		
		A	B	C	D	E	F	G	H	J	Z	T	m	n	U	V	dynamic C (N)					static Co (N)	
STAINLESS STEEL BEARING WITH GRUB SCREWS (POLYPROPYLENE)																							
25	60205C	122	70	8.5	34	5.5	99	M6x0.75	10.5	22.6	22.6	30	19.5	7.5	45.6	47.6	8100	5800	4000	0.45	50009	50009.APE	
30	60206CA	122	70	8.5	40.3	6	99	M6x0.75	11.5	22.6	22.6	33.5	22	8	49.6	51.6	11250	8400	4000	0.50	50010	50010.APE	
30	60206C	137	78	11	40.3	6	110	M6x0.75	20	25	32	42	22	8	63	65	11250	8400	6000	0.70	50004	50004.APE	
35	60207C	137	78	11	48	6.5	110	M8x1.00	19	25	32	42.5	23.5	8.5	63	65	14750	11400	6000	0.80	50004	50004.APE	

* **MAX. RADIAL LOAD CAPACITY OF HOUSING:** Values indicated in the table above, are obtained at 23°C. Strength of housing indicated on [page 115](#).

UCFC-Y

WATERPROOF



TECHNICAL INFORMATION for UCFC-Y

- **Resistance to corrosion:**
 - Polyamide version (PA): good resistance to many corrosive chemicals such as water, oils, greases, petrol, milk, wine, alcoholic beverages.
 - Polypropylene version (PP): excellent resistance to highly corrosive chemicals such as acids, organic liquids, detergents.
- **Load capacity:**
 - Housings in PA have a higher load capacity than housings in PP. See tables.
- **Continuous operating temperature:**
 - All our bearings can be used at temperatures between 0°C and +80°C. For lower or higher temperatures please consult our Engineering Department.
- **Economical operation.**
 - Long life bearing insert.
- **Self-alignment:**
 - Max misalignment between shaft and housing: 2.0°.
- **Concept and design to meet all safety requirements.**
- **Interchangeable with standard cast iron flanged supports.**
- **Completely sealed units.**
- **Ball bearing pre-lubricated with long-life grease, which is ideal in applications in humid conditions, with water, alkaline or acid solutions.**



WATERPROOF

SEE ALSO...

Accessories: [p. 110](#)
Features, lubrication and maintenance: [p. 112](#)
Mounting instruction: [p. 113 - 114](#)
Calculation of load capacity, bearing life: [p. 115 - 116](#)
Chemical resistance: [p. 120 - 121](#)

COMPONENTS

- 1 Housing in reinforced polyamide (Housing in reinforced polypropylene available on request).
- 2 Adjustable chrome steel or stainless steel ball bearing, pre-lubricated. Can be re-lubricated by means of grease-nipple or a quick coupler.
- 3 Ball-type grease-nipple or quick coupler from nickel plated brass (available upon request) to take semi-rigid hoses \varnothing 4 mm in Rilsan (see accessories on [page 110](#)). Version with stainless steel bearing has a stainless steel grease nipple.
- 4 Clip-on safety cap.
- 5 Spacers from nickel plated brass to reinforce fixing holes.
- 7 Washer UNI 6592, stainless steel AISI 304-DIN 1.4301.
- 8 Rotary shaft seal ring with extra dust-protection lip in NBR rubber.
- 9 Heavy duty O-Ring in NBR rubber.

UCFC-Y

WATERPROOF

POLYAMIDE HOUSING

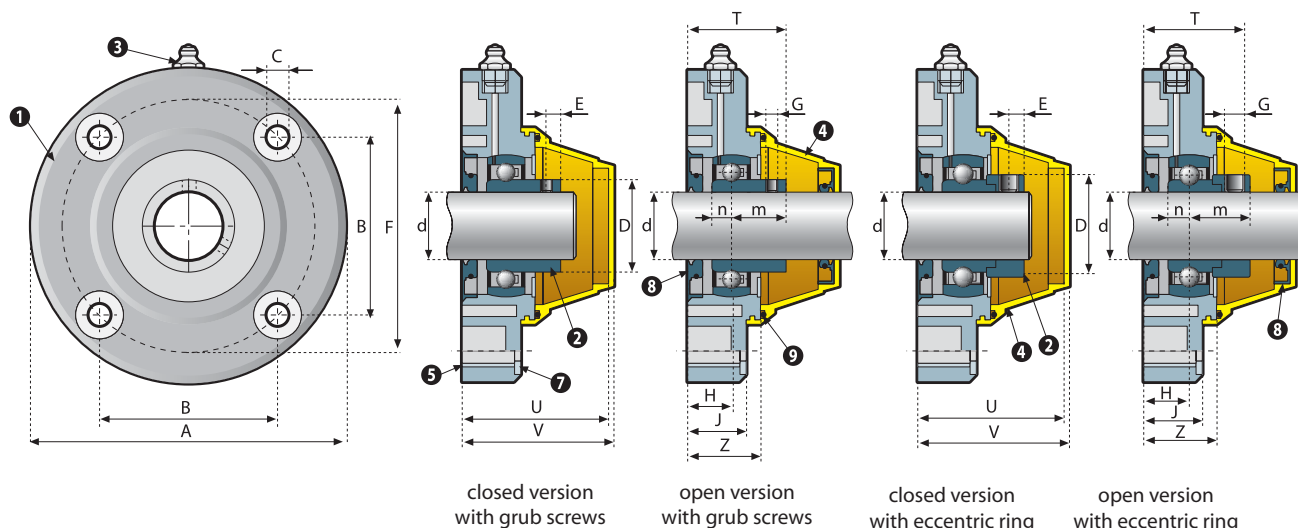


UCFC-Y

WATERPROOF

POLYPROPYLENE HOUSING





Preferred types, readily available (codes marked in red)

ø d mm	code version		dimension (mm)														bearing load ratings		housing load rating max.N*	weight (Kg)
	closed	open	A	B	C	D	E	F	G	H	J	Z	T	m	n	U	V	dynamic C (N)		

CHROME STEEL BEARING WITH GRUB SCREWS (POLYAMIDE)

30	50206Y	55206Y	137	78	11	40.3	6	110	M6x0.75	20	25	32	42	22	8	63	65	15000	11300	13000	0.74
35	50207Y	55207Y	137	78	11	48	6.5	110	M8x1.00	19	25	32	42.5	23.5	8.5	63	65	19700	15300	12800	0.84

CHROME STEEL BEARING WITH ECCENTRIC RING (POLYAMIDE)

30	50206YB	55206YB	137	78	11	44.5	6	110	M6x0.75	20	25	32	47.7	27.7	8	63	65	15000	11300	13000	0.80
35	50207YB	55207YB	137	78	11	55.6	6.5	110	M8x1.00	19	25	32	49.4	30.4	8.5	63	65	19700	15300	12800	0.91

* **MAX. RADIAL LOAD CAPACITY OF HOUSING:** Values indicated in the table above, are obtained at 23°C. Strength of housing indicated on [page 115](#).

Preferred types, readily available (codes marked in red)

ø d mm	code version		dimension (mm)														bearing load ratings		housing load rating max.N*	weight (Kg)
	closed	open	A	B	C	D	E	F	G	H	J	Z	T	m	n	U	V	dynamic C (N)		

CHROME STEEL BEARING WITH GRUB SCREWS (POLYPROPYLENE)

30	60206Y	65206Y	137	78	11	40.3	6	110	M6x0.75	20	25	32	42	22	8	63	65	15000	11300	6000	0.74
35	60207Y	65207Y	137	78	11	48	6.5	110	M8x1.00	19	25	32	42.5	23.5	8.5	63	65	19700	15300	6000	0.84

CHROME STEEL BEARING WITH ECCENTRIC RING (POLYPROPYLENE)

30	60206YB	65206YB	137	78	11	44.5	6	110	M6x0.75	20	25	32	47.7	27.7	8	63	65	15000	11300	6000	0.80
35	60207YB	65207YB	137	78	11	55.6	6.5	110	M8x1.00	19	25	32	49.4	30.4	8.5	63	65	19700	15300	6000	0.91

* **MAX. RADIAL LOAD CAPACITY OF HOUSING:** Values indicated in the table above, are obtained at 23°C. Strength of housing indicated on [page 115](#).

WATERPROOF



TECHNICAL INFORMATION for FC

- **Resistance to corrosion:**
 - Polyamide version (PA): good resistance to many corrosive chemicals such as water, oils, greases, petrol, milk, wine, alcoholic beverages.
- **High load capacity.**
- **Continuous operating temperature:**
 - All our bearings can be used at temperatures between 0°C and +80°C. For lower or higher temperatures please consult our Engineering Department.
- **Economical operation.**
- **Concept and design to meet all safety requirements.**
- **Interchangeability:**
 - Interchangeable with standard cast iron flanged supports.
- **Ball bearing pre-lubricated with long-life grease, which is ideal in applications in humid conditions, with water, alkaline or acid solutions.**
- **Completely sealed units.**

COMPONENTS

- ❶ Housing in reinforced polyamide (Housing in reinforced polypropylene available on request).
- ❷ Adjustable chrome steel or stainless steel ball bearing, pre-lubricated. Can be re-lubricated by means of grease-nipple or a quick coupler.
- ❸ Ball-type grease-nipple or quick coupler from nickel plated brass (available upon request) to take semi-rigid hoses \varnothing 4 mm in Rilsan (see accessories on [page 110](#)). Version with stainless steel bearing has a stainless steel grease nipple.
- ❹ Spacers from nickel plated brass to reinforce fixing holes.
- ❺ Washer UNI 6592, stainless steel AISI 304-DIN 1.4301.
- ❻ Rotary shaft seal ring with extra dust-protection lip in NBR rubber.

FC WATERPROOF

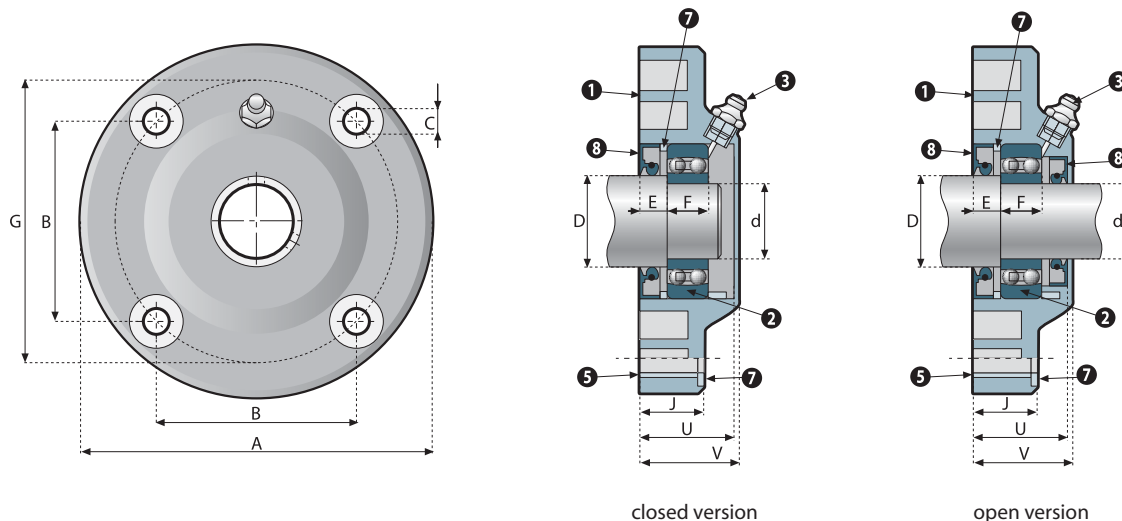
POLYAMIDE HOUSING



WATERPROOF


SEE ALSO...

- Accessories: [p. 110](#)
 Features, lubrication and maintenance: [p. 112](#)
 Mounting instruction: [p. 113 - 114](#)
 Calculation of load capacity, bearing life: [p. 115 - 116](#)
 Chemical resistance: [p. 120 - 121](#)



closed version

open version

 Preferred types, readily available (codes marked in red)

Ø d mm	code version		dimension (mm)										bearing load ratings		housing load rating max. N*	weight (Kg)
	closed	open	A	B	C	D	E	F	G	J	U	V	dynamic C (N)	static Co (N)		
CHROME STEEL FLANGED BEARING FOR SHOULDERED SHAFTS (POLYAMIDE)																
30	51206C	56206C	137	78	11	35	10	16	110	25	37	39	15500	5500	13000	0.60
35	51207C	56207C	137	78	11	40	10	17	110	25	37	39	15900	6500	12800	0.72

* **MAX. RADIAL LOAD CAPACITY OF HOUSING:** Values indicated in the table above, are obtained at 23°C. Strength of housing indicated on [page 115](#).

STANDARD



TECHNICAL INFORMATION for UCP

- **Resistance to corrosion:**
 - Polyamide version (PA): good resistance to many corrosive chemicals such as water, oils, greases, petrol, milk, wine, alcoholic beverages.
- **High load capacity.**
- **Continuous operating temperature:**
 - All our bearings can be used at temperatures between 0°C and +80°C. For lower or higher temperatures please consult our Engineering Department.
- **Economical operation.**
 - Long life bearing insert.
- **Self-alignment:**
 - Max misalignment between shaft and housing: 2.5°.
- **Concept and design to meet all safety requirements.**
- **Interchangeable with standard cast iron pillow block supports.**
- **Ball bearing pre-lubricated with long-life grease, which is ideal in applications in humid conditions, with water, alkaline or acid solutions.**

SEE ALSO...

Accessories: [p. 110](#)
 Features, lubrication and maintenance: [p. 112](#)
 Mounting instruction: [p. 113 - 114](#)
 Calculation of load capacity, bearing life: [p. 115 - 116](#)
 Chemical resistance: [p. 120 - 121](#)

COMPONENTS

- 1 Housing in reinforced polyamide (Housing in reinforced polypropylene available on request).
- 2 Adjustable chrome steel or stainless steel ball bearing, pre-lubricated. Can be re-lubricated by means of grease-nipple or a quick coupler.
- 3 Ball-type grease-nipple or quick coupler from nickel plated brass (available upon request) to take semi-rigid hoses \varnothing 4 mm in Rilsan (see accessories on [page 110](#)). Version with stainless steel bearing has a stainless steel grease nipple.
- 4 Clip-on safety cap (accessory).
- 5 Spacers from nickel plated brass to reinforce fixing holes.

POLYAMIDE HOUSING

UCP
STANDARD

accessory

COLOUR

- Safety cap in yellow.
- For sufficient quantities parts can be produced in different colours.

NOLU-CLEAN HOUSING

UCP
STANDARD

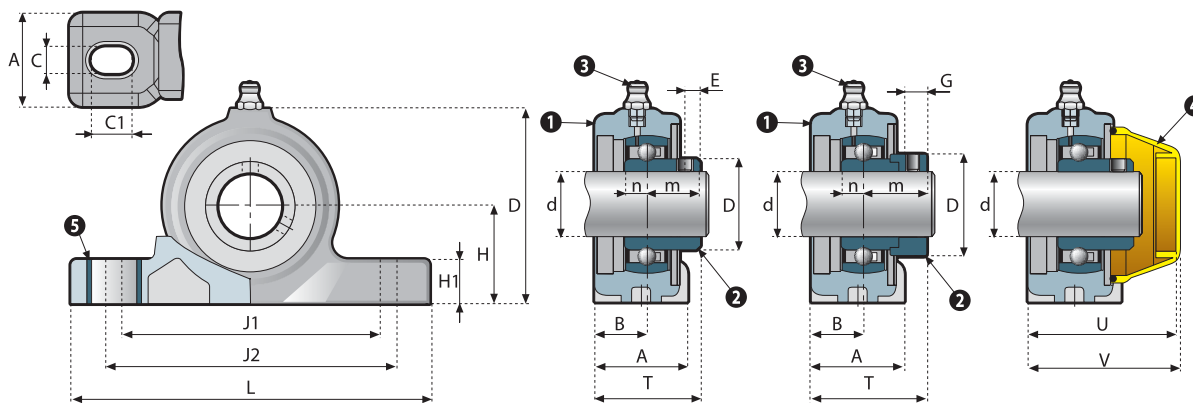
NOLU-CLEAN is a new antimicrobial material of improved hygiene. For detailed information refer to [page 7](#).



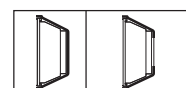
accessory

COLOUR

- Bearing support in white.
- Safety cap in white.



Accessories



Preferred types, readily available (codes marked in red)

ø d mm	code version	dimension (mm)															bearing load ratings		housing load rating max. N*	weight (Kg)	closed safety cap code	open safety cap code			
		A	B	C	C1	D	E	G	H	H1	L	Z	J1	J2	T	m	n	U					V	dynamic C (N)	static Co (N)
CHROME STEEL BEARING WITH GRUB SCREWS (POLYAMIDE)																									
12	53201	30	18.5	11	17	24.6	4	M5x0.80	30.2	16	125	61	89	101	34.5	16	6	50	52	7300	4760	6500	0.25	50013	50013.APE
15	53202	30	18.5	11	17	24.6	4	M5x0.80	30.2	16	125	61	89	101	34.5	16	6	50	52	7300	4760	6500	0.25	50013	50013.APE
16	53016	30	18.5	11	17	24.6	4	M5x0.80	30.2	16	125	61	89	101	34.5	16	6	50	52	7300	4760	6500	0.25	50013	50013.APE
17	53203	30	18.5	11	17	24.6	4	M5x0.80	30.2	16	125	61	89	101	34.5	16	6	50	52	7300	4760	6500	0.25	50013	50013.APE
20	53204	31	18	11	17	29	5	M6x0.75	33.3	16	127	67	91	103	36	18	7	50.5	52.5	9850	6580	8500	0.30	50013	50013.APE
25	53205	35	20	11	17	34	5.5	M6x0.75	36.5	16	135	72.5	97	109	39.5	19.5	7.5	55	57	10800	7800	10000	0.37	50009	50009.APE
30	53206	41	24	13	22	40.3	6	M6x0.75	42.9	21.5	156	87	111	129	46	22	8	65	67	15000	11300	12000	0.50	50010	50010.APE
35	53207	45	25.5	13	22	48	6.5	M8x1.00	47.6	21.5	164	95	117	135	49	23.5	8.5	67	69	19700	15300	12500	0.70	50010	50010.APE
40	53208	48	20	13	22	53	7	M8x1.00	49.2	21.5	179	100	129	147	45	25	9	63	65	22400	17900	13000	0.85	50014	50014.APE
CHROME STEEL BEARING WITH ECCENTRIC RING (POLYAMIDE)																									
12	53201B	30	18.5	11	17	28.6	5	M6x0.75	30.2	16	125	61	89	101	41.1	22.6	6	50	52	7300	4760	6500	0.28	50013	50013.APE
15	53202B	30	18.5	11	17	28.6	5	M6x0.75	30.2	16	125	61	89	101	41.1	22.6	6	50	52	7300	4760	6500	0.28	50013	50013.APE
16	53016B	30	18.5	11	17	28.6	5	M6x0.75	30.2	16	125	61	89	101	41.1	22.6	6	50	52	7300	4760	6500	0.28	50013	50013.APE
17	53203B	30	18.5	11	17	28.6	5	M6x0.75	30.2	16	125	61	89	101	41.1	22.6	6	50	52	7300	4760	6500	0.28	50013	50013.APE
20	53204B	31	18	11	17	33.3	5	M6x0.75	33.3	16	127	67	91	103	41.9	23.9	7	50.5	52.5	9850	6580	8500	0.33	50013	50013.APE
25	53205B	35	20	11	17	38.1	5	M6x0.75	36.5	16	135	72.5	97	109	43.4	23.4	7.5	55	57	10800	7800	10000	0.42	50009	50009.APE
30	53206B	41	24	13	22	44.5	6	M6x0.75	42.9	21.5	156	87	111	129	51.7	27.7	8	65	67	15000	11300	12000	0.55	50010	50010.APE
35	53207B	45	25.5	13	22	55.6	6.5	M8x1.00	47.6	21.5	164	95	117	135	55.9	30.4	8.5	67	69	19700	15300	12500	0.78	50010	50010.APE
40	53208B	48	20	13	22	60.3	6.5	M8x1.00	49.2	21.5	179	100	129	147	54.7	34.7	9	63	65	22400	17900	13000	0.97	50014	50014.APE
STAINLESS STEEL BEARING WITH GRUB SCREWS (POLYAMIDE)																									
20	53204/SS	31	18	11	17	29.7	5	M6x0.75	33.3	16	127	67	91	103	36.7	18.7	7	50.5	52.5	7300	4900	8500	0.30	50013	50013.APE
25	53205/SS	35	20	11	17	34	5.5	M6x0.75	36.5	16	135	72.5	97	109	39.5	19.5	7.5	55	57	8100	5800	10000	0.37	50009	50009.APE
30	53206/SS	41	24	13	22	40.3	6	M6x0.75	42.9	21.5	156	87	111	129	46	22	8	65	67	11250	8400	12000	0.50	50010	50010.APE
35	53207/SS	45	25.5	13	22	48	6.5	M8x1.00	47.6	21.5	164	95	117	135	49	23.5	8.5	67	69	14700	11400	12500	0.70	50010	50010.APE
40	53208/SS	48	20	13	22	53	7	M8x1.00	49.2	21.5	179	100	129	147	45	25	9	63	65	16800	13400	13000	0.85	50014	50014.APE
CHROME STEEL BEARING WITH GRUB SCREWS (NOLU-CLEAN)																									
20	53204CG	31	18	11	17	29	5	M6x0.75	33.3	16	127	67	91	103	36	18	7	50.5	52.5	9850	6580	8500	0.30	50013CG	50013.APE/CG
25	53205CG	35	20	11	17	34	5.5	M6x0.75	36.5	16	135	72.5	97	109	39.5	19.5	7.5	55	57	10800	7800	10000	0.37	50009CG	50009.APE/CG
30	53206CG	41	24	13	22	40.3	6	M6x0.75	42.9	21.5	156	87	111	129	46	22	8	65	67	15000	11300	12000	0.50	50010CG	50010.APE/CG
35	53207CG	45	25.5	13	22	48	6.5	M8x1.00	47.6	21.5	164	95	117	135	49	23.5	8.5	67	69	19700	15300	12500	0.70	50010CG	50010.APE/CG
40	53208CG	48	20	13	22	53	7	M8x1.00	49.2	21.5	179	100	129	147	45	25	9	63	65	22400	17900	13000	0.85	50014CG	50014.APE/CG
CHROME STEEL BEARING WITH ECCENTRIC RING (NOLU-CLEAN)																									
20	53204CGB	31	18	11	17	33.3	5	M6x0.75	33.3	16	127	67	91	103	41.9	23.9	7	50.5	52.5	9850	6580	8500	0.33	50013CG	50013.APE/CG
25	53205CGB	35	20	11	17	38.1	5	M6x0.75	36.5	16	135	72.5	97	109	43.4	23.4	7.5	55	57	10800	7800	10000	0.42	50009CG	50009.APE/CG
30	53206CGB	41	24	13	22	44.5	6	M6x0.75	42.9	21.5	156	87	111	129	51.7	27.7	8	65	67	15000	11300	12000	0.55	50010CG	50010.APE/CG
35	53207CGB	45	25.5	13	22	55.6	6.5	M8x1.00	47.6	21.5	164	95	117	135	55.9	30.4	8.5	67	69	19700	15300	12500	0.78	50010CG	50010.APE/CG
40	53208CGB	48	20	13	22	60.3	6.5	M8x1.00	49.2	21.5	179	100	129	147	54.7	34.7	9	63	65	22400	17900	13000	0.97	50014CG	50014.APE/CG
STAINLESS STEEL BEARING WITH GRUB SCREWS (NOLU-CLEAN)																									
20	53204CG/SS	31	18	11	17	33.3	5	M6x0.75	33.3	16	127	67	91	103	41.9	23.9	7	50.5	52.5	7300	4900	8500	0.33	50013CG	50013.APE/CG
25	53205CG/SS	35	20	11	17	38.1	5	M6x0.75	36.5	16	135	72.5	97	109	43.4	23.4	7.5	55	57	8100	5800	10000	0.42	50009CG	50009.APE/CG
30	53206CG/SS	41	24	13	22	44.5	6	M6x0.75	42.9	21.5	156	87	111	129	51.7	27.7	8	65	67	11250	8400	12000	0.55	50010CG	50010.APE/CG
35	53207CG/SS	45	25.5	13	22	55.6	6.5	M8x1.00	47.6	21.5	164	95	117	135	55.9	30.4	8.5	67	69	14700	11400	12500	0.78	50010CG	50010.APE/CG
40	53208CG/SS	48	20	13	22	60.3	6.5	M8x1.00	49.2	21.5	179	100	129	147	54.7	34.7	9	63	65	16800	13400	13000	0.97	50014CG	50014.APE/CG

* MAX. RADIAL LOAD CAPACITY OF HOUSING: Values indicated in the table above, are obtained at 23°C. Strength of housing indicated on [page 115](#).

UCP -R

WATERPROOF



TECHNICAL INFORMATION for UCP-R

- **Resistance to corrosion:**
 - Polyamide version (PA): good resistance to many corrosive chemicals such as water, oils, greases, petrol, milk, wine, alcoholic beverages.
- **High load capacity.**
- **Continuous operating temperature:**
 - All our bearings can be used at temperatures between 0°C and +80°C. For lower or higher temperatures please consult our Engineering Department.
- **Economical operation.**
 - Long life bearing insert.
- **Self-alignment:**
 - Max misalignment between shaft and housing: 2.0°.
- **Concept and design to meet all safety requirements.**
- **Interchangeable with standard cast iron pillow block supports.**
- **Completely sealed units.**
- **Ball bearing pre-lubricated with long-life grease, which is ideal in applications in humid conditions, with water, alkaline or acid solutions.**



WATERPROOF

SEE ALSO...

Accessories: [p. 110](#)
Features, lubrication and maintenance: [p. 112](#)
Mounting instruction: [p. 113 - 114](#)
Calculation of load capacity, bearing life: [p. 115 - 116](#)
Chemical resistance: [p. 120 - 121](#)

COMPONENTS

- ① Housing in reinforced polyamide (Housing in reinforced polypropylene available on request).
- ② Adjustable chrome steel or stainless steel ball bearing, pre-lubricated.
Can be re-lubricated by means of grease-nipple or a quick coupler.
- ③ Ball-type grease-nipple or quick coupler from nickel plated brass (available upon request) to take semi-rigid hoses \varnothing 4 mm in Rilsan (see accessories on [page 110](#)). Version with stainless steel bearing has a stainless steel grease nipple.
- ④ Clip-on safety cap.
- ⑤ Spacers from nickel plated brass to reinforce fixing holes.
- ⑧ Rotary shaft seal ring with extra dust-protection lip in NBR rubber.
- ⑨ Heavy duty O-Ring in NBR rubber.

UCP-R WATERPROOF

POLYAMIDE HOUSING

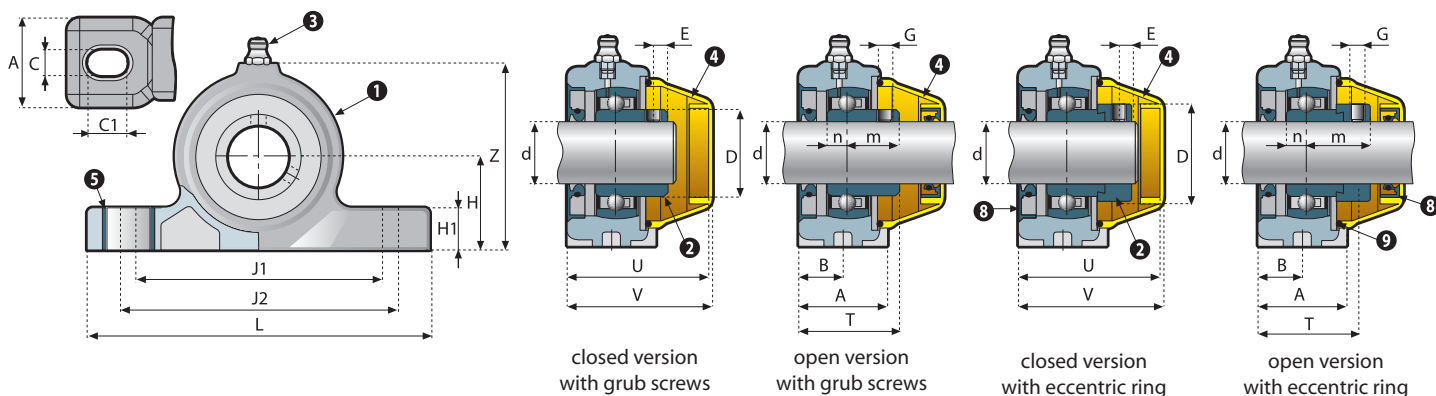


UCP-R STANDARD

NOLU-CLEAN is a new antimicrobial material of improved hygiene.
For detailed information refer to [page 7](#).

NOLU-CLEAN HOUSING





Preferred types, readily available (codes marked in red)

∅ d mm	code version		dimension (mm)																bearing load ratings		housing load rating max. N*	weight (Kg)
	closed	open	A	B	C	C1	D	E	G	H	H1	L	Z	J1	J2	T	m	n	U	V		

CHROME STEEL BEARING WITH GRUB SCREWS (POLYAMIDE)

12	53201R	58201R	30	18.5	11	17	24.6	4	M5x0.80	30.2	16	125	61	89	101	34.5	16	6	50	52	7300	4760	6500	0.25
15	53202R	58202R	30	18.5	11	17	24.6	4	M5x0.80	30.2	16	125	61	89	101	34.5	16	6	50	52	7300	4760	6500	0.25
16	53016R	58016R	30	18.5	11	17	24.6	4	M5x0.80	30.2	16	125	61	89	101	34.5	16	6	50	52	7300	4760	6500	0.25
17	53203R	58203R	30	18.5	11	17	24.6	4	M5x0.80	30.2	16	125	61	89	101	34.5	16	6	50	52	7300	4760	6500	0.25
20	53204R	58204R	31	18	11	17	29	5	M6x0.75	33.3	16	127	67	91	103	36	18	7	50.5	52.5	9850	6580	8500	0.30
25	53205R	58205R	35	20	11	17	34	5.5	M6x0.75	36.5	16	135	72.5	97	109	39.5	19.5	7.5	55	57	10800	7800	10000	0.37
30	53206R	58206R	41	24	13	22	40.3	6	M6x0.75	42.9	22	156	87	111	129	46	22	8	65	67	15000	11300	12000	0.50
35	53207R	58207R	45	25.5	13	22	48	6.5	M8x1.00	47.6	21.5	164	95	117	135	49	23.5	8.5	67	69	19700	15300	12500	0.70
40	53208R	58208R	48	20	13	22	53	7	M8x1.00	49.2	21.5	179	100	129	147	45	25	9	63	65	22400	17900	13000	0.85

CHROME STEEL BEARING WITH ECCENTRIC RING (POLYAMIDE)

12	53201RB	58201RB	30	18.5	11	17	28.6	5	M6x0.75	30.2	16	125	61	89	101	41.1	22.6	6	50	52	7300	4760	6500	0.28
15	53202RB	58202RB	30	18.5	11	17	28.6	5	M6x0.75	30.2	16	125	61	89	101	41.1	22.6	6	50	52	7300	4760	6500	0.28
16	53016RB	58016RB	30	18.5	11	17	28.6	5	M6x0.75	30.2	16	125	61	89	101	41.1	22.6	6	50	52	7300	4760	6500	0.28
17	53203RB	58203RB	30	18.5	11	17	28.6	5	M6x0.75	30.2	16	125	61	89	101	41.1	22.6	6	50	52	7300	4760	6500	0.28
20	53204RB	58204RB	31	18	11	17	33.3	5	M6x0.75	33.3	16	127	67	91	103	41.9	23.9	7	50.5	52.5	9850	6580	8500	0.33
25	53205RB	58205RB	35	20	11	17	38.1	5	M6x0.75	36.5	16	135	72.5	97	109	43.4	23.4	7.5	55	57	10800	7800	10000	0.42
30	53206RB	58206RB	41	24	13	22	44.5	6	M6x0.75	42.9	22	156	87	111	129	51.7	27.7	8	65	67	15000	11300	12000	0.55
35	53207RB	58207RB	45	25.5	13	22	55.6	6.5	M8x1.00	47.6	21.5	164	95	117	135	55.9	30.4	8.5	67	69	19700	15300	12500	0.78
40	53208RB	58208RB	48	20	13	22	60.3	6.5	M8x1.00	49.2	21.5	179	100	129	147	54.7	34.7	9	63	65	22400	17900	13000	0.97

* MAX. RADIAL LOAD CAPACITY OF HOUSING: Values indicated in the table above, are obtained at 23°C. Strength of housing indicated on [page 115](#).

Preferred types, readily available (codes marked in red)

∅ d mm	code version		dimension (mm)																bearing load ratings		housing load rating max. N*	weight (Kg)
	closed	open	A	B	C	C1	D	E	G	H	H1	L	Z	J1	J2	T	m	n	U	V		

CHROME STEEL BEARING WITH GRUB SCREWS (NOLU-CLEAN)

20	53204CGR	58204CGR	31	18	11	17	29	5	M6x0.75	33.3	16	127	67	91	103	36	18	7	50.5	52.5	9850	6580	8500	0.30
25	53205CGR	58205CGR	35	20	11	17	34	5.5	M6x0.75	36.5	16	135	72.5	97	109	39.5	19.5	7.5	55	57	10800	7800	10000	0.37
30	53206CGR	58206CGR	41	24	13	22	40.3	6	M6x0.75	42.9	22	156	87	111	129	46	22	8	65	67	15000	11300	12000	0.50
35	53207CGR	58207CGR	45	25.5	13	22	48	6.5	M8x1.00	47.6	21.5	164	95	117	135	49	23.5	8.5	67	69	19700	15300	12500	0.70
40	53208CGR	58208CGR	48	20	13	22	53	7	M8x1.00	49.2	21.5	179	100	129	147	45	25	9	63	65	22400	17900	13000	0.85

CHROME STEEL BEARING WITH ECCENTRIC RING (NOLU-CLEAN)

20	53204CGRB	58204CGRB	31	18	11	17	33.3	5	M6x0.75	33.3	16	127	67	91	103	41.9	23.9	7	50.5	52.5	9850	6580	8500	0.33
25	53205CGRB	58205CGRB	35	20	11	17	38.1	5	M6x0.75	36.5	16	135	72.5	97	109	43.4	23.4	7.5	55	57	10800	7800	10000	0.42
30	53206CGRB	58206CGRB	41	24	13	22	44.5	6	M6x0.75	42.9	22	156	87	111	129	51.7	27.7	8	65	67	15000	11300	12000	0.55
35	53207CGRB	58207CGRB	45	25.5	13	22	55.6	6.5	M8x1.00	47.6	21.5	164	95	117	135	55.9	30.4	8.5	67	69	19700	15300	12500	0.78
40	53208CGRB	58208CGRB	48	20	13	22	60.3	6.5	M8x1.00	49.2	21.5	179	100	129	147	54.7	34.7	9	63	65	22400	17900	13000	0.97

* MAX. RADIAL LOAD CAPACITY OF HOUSING: Values indicated in the table above, are obtained at 23°C. Strength of housing indicated on [page 115](#).

STANDARD



TECHNICAL INFORMATION for UCPA

- **Resistance to corrosion:**
 - Polyamide version (PA): good resistance to many corrosive chemicals such as water, oils, greases, petrol, milk, wine, alcoholic beverages.
- **High load capacity.**
- **Continuous operating temperature:**
 - All our bearings can be used at temperatures between 0°C and +80°C. For lower or higher temperatures please consult our Engineering Department.
- **Economical operation.**
 - Long life bearing insert.
- **Self-alignment:**
 - Max misalignment between shaft and housing: 2.5°.
- **Concept and design to meet all safety requirements.**
- **Interchangeable with standard cast iron pillow block supports.**
- **Ball bearing pre-lubricated with long-life grease, which is ideal in applications in humid conditions, with water, alkaline or acid solutions.**

SEE ALSO...

Accessories: [p. 110](#)
 Features, lubrication and maintenance: [p. 112](#)
 Mounting instruction: [p. 113 - 114](#)
 Calculation of load capacity, bearing life: [p. 115 - 116](#)
 Chemical resistance: [p. 120 - 121](#)

COMPONENTS

- 1 Housing in reinforced polyamide (Housing in reinforced polypropylene available on request).
- 2 Adjustable chrome steel or stainless steel ball bearing, pre-lubricated. Can be re-lubricated by means of grease-nipple or a quick coupler.
- 3 Ball-type grease-nipple or quick coupler from nickel plated brass (available upon request) to take semi-rigid hoses \varnothing 4 mm in Rilsan (see accessories on [page 110](#)). Version with stainless steel bearing has a stainless steel grease nipple.
- 4 Clip-on safety cap (accessory).
- 11 Threaded bush in nickel plated brass.

UCPA STANDARD

POLYAMIDE HOUSING



accessory

COLOUR

- Safety cap in yellow.
- For sufficient quantities parts can be produced in different colours.

UCPA STANDARD

NOLU-CLEAN is a new antimicrobial material of improved hygiene.

For detailed information refer to [page 7](#).

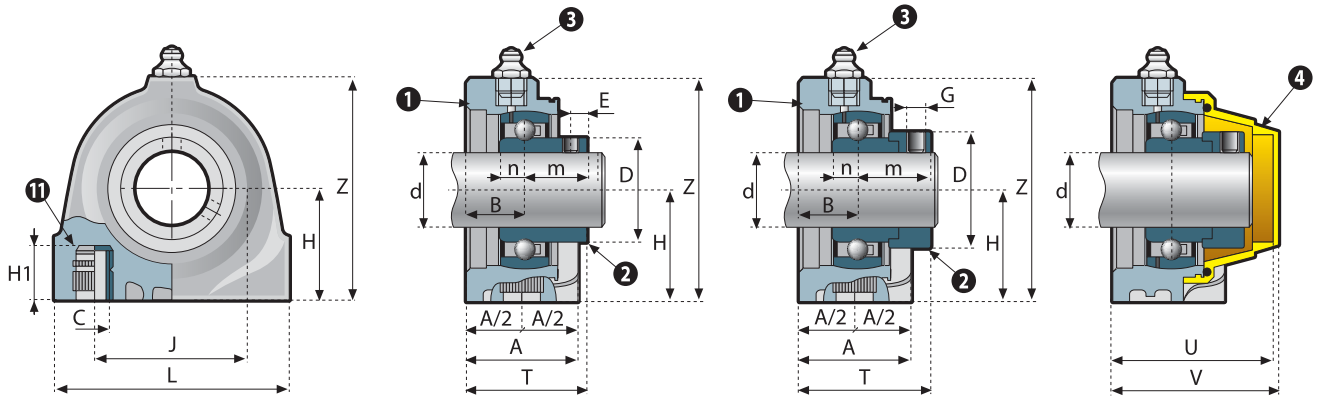
NOLU-CLEAN HOUSING



accessory

COLOUR

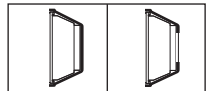
- Bearing support in white.
- Safety cap in white.



version with grub screws

version with eccentric ring

Accessories



Preferred types, readily available (codes marked in red)

Ø d mm	code version	dimension (mm)															bearing load ratings		housing load rating max. N*	weight (Kg)	closed safety cap code	open safety cap code	
		A	B	C	D	E	G	H	H1	L	Z	J	T	m	n	U	V	dynamic C (N)					static Co (N)
CHROME STEEL BEARING WITH GRUB SCREWS (POLYAMIDE)																							
20	53204A	32	17.5	M8	29	5	M6x0.75	33.3	16	70	65	50.8	35.5	18	7	49	51	9850	6580	6500	0.30	50008	50008.APE
25	53205A	36	19.5	M10	34	5.5	M6x0.75	36.5	16	75	72	50.8	39	19.5	7.5	54	56	10800	7800	7800	0.37	50007	50007.APE
30	53206A	40	20	M10	40.3	6	M6x0.75	42.9	24	98	85	76.2	42	22	8	59	61	15000	11300	11000	0.50	50003A	50003A.APE
CHROME STEEL BEARING WITH ECCENTRIC RING (POLYAMIDE)																							
20	53204AB	32	17.5	M8	33.3	5	M6x0.75	33.3	16	70	65	50.8	41.4	23.9	7	49	51	9850	6580	6500	0.33	50008	50008.APE
25	53205AB	36	19.5	M10	38.1	5	M6x0.75	36.5	16	75	72	50.8	43.4	23.4	7.5	54	56	10800	7800	7800	0.42	50007	50007.APE
30	53206AB	40	20	M10	44.5	6	M6x0.75	42.9	24	98	85	76.2	47.7	27.7	8	59	61	15000	11300	11000	0.55	50003A	50003A.APE
STAINLESS STEEL BEARING WITH GRUB SCREWS (POLYAMIDE)																							
20	53204A/SS	32	17.5	M8	29	5	M6x0.75	33.3	16	70	65	50.8	36.2	18.7	7	49	51	7300	4900	6500	0.30	50008	50008.APE
25	53205A/SS	36	19.5	M10	34	5.5	M6x0.75	36.5	16	75	72	50.8	38.2	19.5	7.5	54	56	8100	5800	7800	0.37	50007	50007.APE
30	53206A/SS	40	20	M10	40.3	6	M6x0.75	42.9	24	98	85	76.2	42	22	8	59	61	11250	8400	11000	0.50	50003A	50003A.APE

* MAX. RADIAL LOAD CAPACITY OF HOUSING: Values indicated in the table above, are obtained at 23°C. Strength of housing indicated on page 115.

Ø d mm	code version	dimension (mm)															bearing load ratings		housing load rating max. N*	weight (Kg)	closed safety cap code	open safety cap code	
		A	B	C	D	E	G	H	H1	L	Z	J	T	m	n	U	V	dynamic C (N)					static Co (N)
CHROME STEEL BEARING WITH GRUB SCREWS (NOLU-CLEAN)																							
20	53204CGA	32	17.5	M8	29	5	M6x0.75	33.3	16	70	65	50.8	35.5	18	7	49	51	9850	6580	6500	0.30	50008CG	50008.APE/CG
25	53205CGA	36	19.5	M10	34	5.5	M6x0.75	36.5	16	75	72	50.8	39	19.5	7.5	54	56	10800	7800	7800	0.37	50007CG	50007.APE/CG
30	53206CGA	40	20	M10	40.3	6	M6x0.75	42.9	24	98	85	76.2	42	22	8	59	61	15000	11300	11000	0.50	50003ACG	50003A.APE/CG
CHROME STEEL BEARING WITH ECCENTRIC RING (NOLU-CLEAN)																							
20	53204CGAB	32	17.5	M8	33.3	5	M6x0.75	33.3	16	70	65	50.8	41.4	23.9	7	49	51	9850	6580	6500	0.33	50008CG	50008.APE/CG
25	53205CGAB	36	19.5	M10	38.1	5	M6x0.75	36.5	16	75	72	50.8	43.4	23.4	7.5	54	56	10800	7800	7800	0.42	50007CG	50007.APE/CG
30	53206CGAB	40	20	M10	44.5	6	M6x0.75	42.9	24	98	85	76.2	47.7	27.7	8	59	61	15000	11300	11000	0.55	50003ACG	50003A.APE/CG
STAINLESS STEEL BEARING WITH GRUB SCREWS (NOLU-CLEAN)																							
20	53204CGA/SS	32	17.5	M8	29	5	M6x0.75	33.3	16	70	65	50.8	36.2	18.7	7	49	51	7300	4900	6500	0.30	50008CG	50008.APE/CG
25	53205CGA/SS	36	19.5	M10	34	5.5	M6x0.75	36.5	16	75	72	50.8	38.2	19.5	7.5	54	56	8100	5800	7800	0.37	50007CG	50007.APE/CG
30	53206CGA/SS	40	20	M10	40.3	6	M6x0.75	42.9	24	98	85	76.2	42	22	8	59	61	11250	8400	11000	0.50	50003ACG	50003A.APE/CG

* MAX. RADIAL LOAD CAPACITY OF HOUSING: Values indicated in the table above, are obtained at 23°C. Strength of housing indicated on page 115.

UCPA -R

WATERPROOF



TECHNICAL INFORMATION for UCPA-R

- **Resistance to corrosion:**
 - Polyamide version (PA): good resistance to many corrosive chemicals such as water, oils, greases, petrol, milk, wine, alcoholic beverages.
- **High load capacity.**
- **Continuous operating temperature:**
 - All our bearings can be used at temperatures between 0°C and +80°C. For lower or higher temperatures please consult our Engineering Department.
- **Economical operation.**
 - Long life bearing insert.
- **Self-alignment:**
 - Max misalignment between shaft and housing: 2.0°.
- **Concept and design to meet all safety requirements.**
- **Interchangeable with standard cast iron pillow block supports.**
- **Completely sealed units.**
- **Ball bearing pre-lubricated with long-life grease, which is ideal in applications in humid conditions, with water, alkaline or acid solutions.**



WATERPROOF

SEE ALSO...

Accessories: [p. 110](#)
Features, lubrication and maintenance: [p. 112](#)
Mounting instruction: [p. 113 - 114](#)
Calculation of load capacity, bearing life: [p. 115 - 116](#)
Chemical resistance: [p. 120 - 121](#)

COMPONENTS

- ① Housing in reinforced polyamide (Housing in reinforced polypropylene available on request).
- ② Adjustable chrome steel or stainless steel ball bearing, pre-lubricated. Can be re-lubricated by means of grease-nipple or a quick coupler.
- ③ Ball-type grease-nipple or quick coupler from nickel plated brass (available upon request) to take semi-rigid hoses \varnothing 4 mm in Rilsan (see accessories on [page 110](#)). Version with stainless steel bearing has a stainless steel grease nipple.
- ④ Clip-on safety cap.
- ⑧ Rotary shaft seal ring with extra dust-protection lip in NBR rubber.
- ⑨ Heavy duty O-Ring in NBR rubber.
- ⑩ Threaded bush in nickel plated brass.

UCPA-R WATERPROOF

POLYAMIDE HOUSING

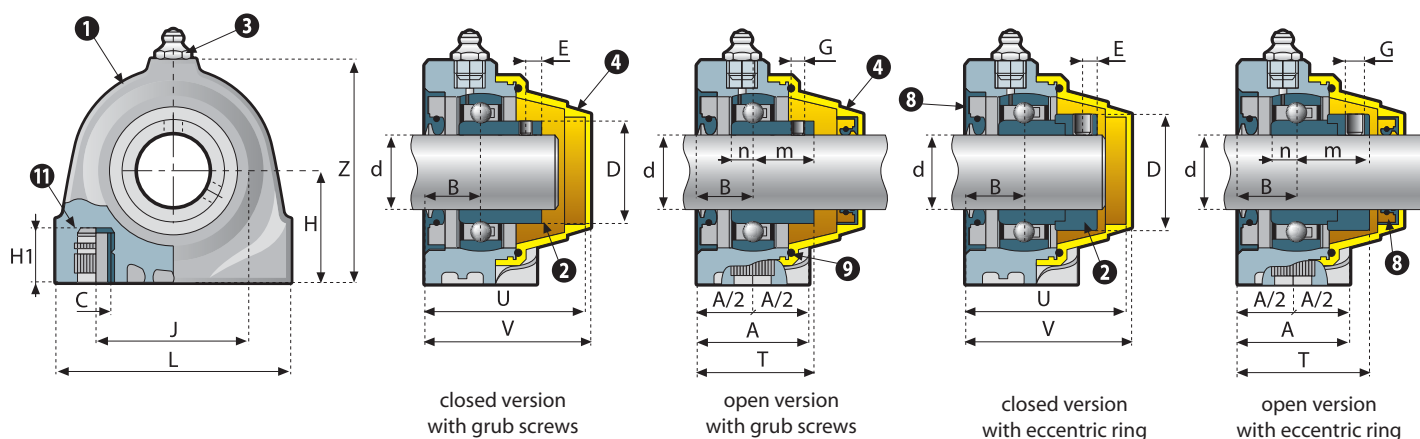


UCPA-R WATERPROOF

NOLU-CLEAN is a new antimicrobial material of improved hygiene. For detailed information refer to [page 7](#).

NOLU-CLEAN HOUSING





Preferred types, readily available (codes marked in red)

Ø d mm	code version		dimension (mm)														bearing load ratings		housing load rating max. N*	weight (Kg)
	closed	open	A	B	C	D	E	G	H	H1	L	Z	J	T	m	n	U	V		

CHROME STEEL BEARING WITH GRUB SCREWS (POLYAMIDE)

20	53204AR	58204AR	32	17.5	M8	29	5	M6x0.75	33.3	16	70	65	50.8	35.5	18	7	49	51	9850	6580	6500	0.36
25	53205AR	58205AR	36	19.5	M10	34	5.5	M6x0.75	36.5	16	75	72	50.8	39	19.5	7.5	54	56	10800	7800	7800	0.41
30	53206AR	58206AR	40	20	M10	40.3	6	M6x0.75	42.9	24	98	85	76.2	42	22	8	59	61	15000	11300	11000	0.56

CHROME STEEL BEARING WITH ECCENTRIC RING (POLYAMIDE)

20	53204ARB	58204ARB	32	17.5	M8	33.3	5	M6x0.75	33.3	16	70	65	50.8	41.4	23.9	7	49	51	9850	6580	6500	0.40
25	53205ARB	58205ARB	36	19.5	M10	38.1	5	M6x0.75	36.5	16	75	72	50.8	43.4	23.4	7.5	54	56	10800	7800	7800	0.45
30	53206ARB	58206ARB	40	20	M10	44.5	6	M6x0.75	42.9	24	98	85	76.2	47.7	27.7	8	59	61	15000	11300	11000	0.60

* **MAX. RADIAL LOAD CAPACITY OF HOUSING:** Values indicated in the table above, are obtained at 23°C. Strength of housing indicated on page 115.

Ø d mm	code version		dimension (mm)														bearing load ratings		housing load rating max. N*	weight (Kg)
	closed	open	A	B	C	D	E	G	H	H1	L	Z	J	T	m	n	U	V		

CHROME STEEL BEARING WITH GRUB SCREWS (NOLU-CLEAN)

20	53204CGAR	58204CGAR	32	17.5	M8	29	5	M6x0.75	33.3	16	70	65	50.8	35.5	18	7	49	51	9850	6580	6500	0.36
25	53205CGAR	58205CGAR	36	19.5	M10	34	5.5	M6x0.75	36.5	16	75	72	50.8	39	19.5	7.5	54	56	10800	7800	7800	0.41
30	53206CGAR	58206CGAR	40	20	M10	40.3	6	M6x0.75	42.9	24	98	85	76.2	42	22	8	59	61	15000	11300	11000	0.56

CHROME STEEL BEARING WITH ECCENTRIC RING (NOLU-CLEAN)

20	53204CGARB	58204CGARB	32	17.5	M8	33.3	5	M6x0.75	33.3	16	70	65	50.8	41.4	23.9	7	49	51	9850	6580	6500	0.40
25	53205CGARB	58205CGARB	36	19.5	M10	38.1	5	M6x0.75	36.5	16	75	72	50.8	43.4	23.4	7.5	54	56	10800	7800	7800	0.45
30	53206CGARB	58206CGARB	40	20	M10	44.5	6	M6x0.75	42.9	24	98	85	76.2	47.7	27.7	8	59	61	15000	11300	11000	0.60

* **MAX. RADIAL LOAD CAPACITY OF HOUSING:** Values indicated in the table above, are obtained at 23°C. Strength of housing indicated on page 115.

STANDARD



TECHNICAL INFORMATION for UCFA

- **Resistance to corrosion:**
 - Polyamide version (PA): good resistance to many corrosive chemicals such as water, oils, greases, petrol, milk, wine, alcoholic beverages.
- **High load capacity.**
- **Continuous operating temperature:**
 - All our bearings can be used at temperatures between 0°C and +80°C. For lower or higher temperatures please consult our Engineering Department.
- **Self-alignment:**
 - Max misalignment between shaft and housing: 2.5°.
- **Low maintenance and trouble-free operation.**
- **Easy Cleaning.**
- **Ball bearing pre-lubricated with long-life grease, which is ideal in applications in humid conditions, with water, alkaline or acid solutions.**
- **Concept and design to meet all safety requirements.**
- **Interchangeable with standard cast iron flanged supports.**
- **Application in the food, beverage and pharmaceutical industry.**

COMPONENTS

- 1 Housing in reinforced polyamide (Housing in reinforced polypropylene available on request).
- 2 Adjustable chrome steel or stainless steel ball bearing, pre-lubricated. Can be re-lubricated by means of grease-nipple or a quick coupler.
- 3 Ball-type grease-nipple or quick coupler from nickel plated brass (available upon request) to take semi-rigid hoses \varnothing 4 mm in Rilsan (see accessories on [page 110](#)). Version with stainless steel bearing has a stainless steel grease nipple.
- 4 Clip-on safety cap (accessory).
- 5 Spacers from nickel plated brass to reinforce fixing holes.
- 6 Polyethylene washer for grease-nipple.

UCFA STANDARD

POLYAMIDE HOUSING



accessory

COLOUR

- Safety cap in yellow.
- For sufficient quantities parts can be produced in different colours.

UCFA STANDARD

NOLU-CLEAN is a new antimicrobial material of improved hygiene.

For detailed information refer to [page 7](#).

NOLU-CLEAN HOUSING



accessory

COLOUR

- Bearing support in white.
- Safety cap in white.

SEE ALSO...

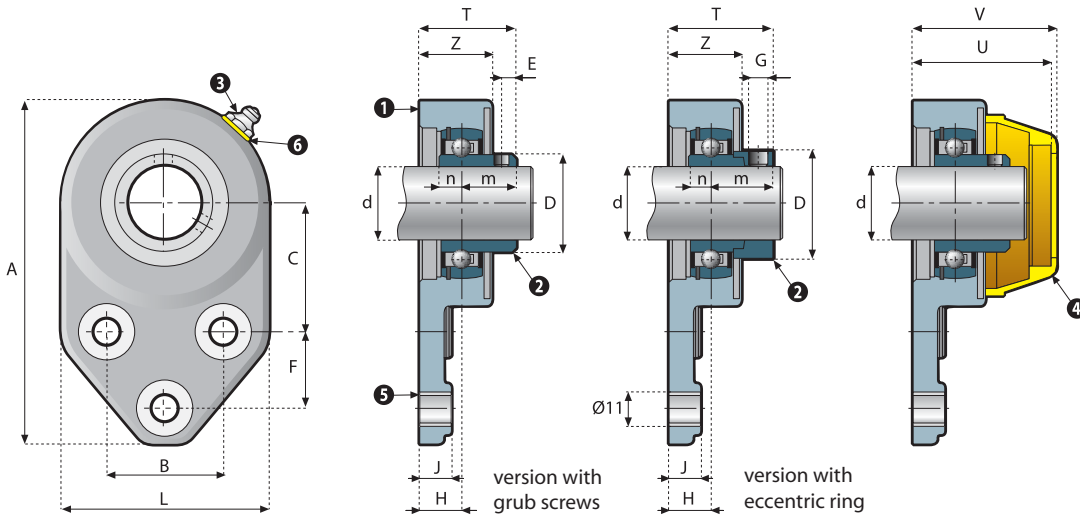
Accessories: [p. 110](#)

Features, lubrication and maintenance: [p. 112](#)

Mounting instruction: [p. 113 - 114](#)

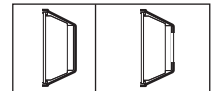
Calculation of load capacity, bearing life: [p. 115 - 116](#)

Chemical resistance: [p. 120 - 121](#)



Preferred types, readily available (codes marked in red)

Accessories



Ø d mm	code version	dimension (mm)														bearing load ratings		housing load rating max. N*	weight (Kg)	closed safety cap code	open safety cap code		
		A	B	C	D	E	F	G	H	L	Z	J	T	m	n	U	V					dynamic C (N)	static Co (N)
CHROME STEEL BEARING WITH GRUB SCREWS (POLYAMIDE)																							
20	52205FA	125	41.3	46	29	5	28.6	M6x0.75	17	69	27.5	12.5	35	18	7	49.5	51.5	9850	6580	9500	0.30	50013	50013.APE
25	52205F	125	41.3	46	34	5.5	28.6	M6x0.75	16	69	27.5	12.5	35.5	19.5	7.5	52.5	54.5	10800	7800	9000	0.35	50009	50009.APE
25	52206FA	140.5	47.6	52.4	34	5.5	31.7	M6x0.75	18	84	29.5	12.5	37.5	19.5	7.5	56.5	58.5	10800	7800	10000	0.40	50010	50010.APE
30	52206F	140.5	47.6	52.4	40.3	6	31.7	M6x0.75	17	84	29.5	12.5	39	22	8	56.5	58.5	15000	11300	10000	0.45	50010	50010.APE
CHROME STEEL BEARING WITH ECCENTRIC RING (POLYAMIDE)																							
20	52205FBA	125	41.3	46	33.3	5	28.6	M6x0.75	17	69	27.5	12.5	40.9	23.9	7	49.5	51.5	9850	6580	9500	0.35	50013	50013.APE
25	52205FB	125	41.3	46	38.1	5	28.6	M6x0.75	16	69	27.5	12.5	39.4	23.4	7.5	52.5	54.5	10800	7800	9000	0.40	50009	50009.APE
25	52206FBA	140.5	47.6	52.4	38.1	5	31.7	M6x0.75	18	84	29.5	12.5	41.4	23.4	7.5	56.5	58.5	10800	7800	10000	0.45	50010	50010.APE
30	52206FB	140.5	47.6	52.4	44.5	6	31.7	M8x1.00	17	84	29.5	12.5	44.7	27.7	8	56.5	58.5	15000	11300	10000	0.50	50010	50010.APE
STAINLESS STEEL BEARING WITH GRUB SCREWS (POLYAMIDE)																							
20	52205FA/SS	125	41.3	46	29	5	28.6	M6x0.75	17	69	27.5	12.5	35.7	18.7	7	49.5	51.5	7300	4900	9500	0.30	50013	50013.APE
25	52205F/SS	125	41.3	46	34	5.5	28.6	M6x0.75	16	69	27.5	12.5	34.7	19.5	7.5	52.5	54.5	8100	5800	9000	0.35	50009	50009.APE
25	52206FA/SS	140.5	47.6	52.4	34	5.5	31.7	M6x0.75	18	84	29.5	12.5	37.5	19.5	7.5	56.5	58.5	8100	5800	10000	0.40	50010	50010.APE
30	52206F/SS	140.5	47.6	52.4	40.3	6	31.7	M6x0.75	17	84	29.5	12.5	39	22	8	56.5	58.5	11250	8400	10000	0.45	50010	50010.APE

* MAX. RADIAL LOAD CAPACITY OF HOUSING: Values indicated in the table above, are obtained at 23°C. Strength of housing indicated on [page 115](#).

Ø d mm	code version	dimension (mm)														bearing load ratings		housing load rating max. N*	weight (Kg)	closed safety cap code	open safety cap code		
		A	B	C	D	E	F	G	H	L	Z	J	T	m	n	U	V					dynamic C (N)	static Co (N)
CHROME STEEL BEARING WITH GRUB SCREWS (NOLU-CLEAN)																							
20	52205CGFA	125	41.3	46	29	5	28.6	M6x0.75	17	69	27.5	12.5	35	18	7	49.5	51.5	9850	6580	9500	0.30	50013CG	50013.APE/CG
25	52205CGF	125	41.3	46	34	5.5	28.6	M6x0.75	16	69	27.5	12.5	35.5	19.5	7.5	52.5	54.5	10800	7800	9000	0.35	50009CG	50009.APE/CG
25	52206CGFA	140.5	47.6	52.4	34	5.5	31.7	M6x0.75	18	84	29.5	12.5	37.5	19.5	7.5	56.5	58.5	10800	7800	10000	0.40	50010CG	50010.APE/CG
30	52206CGF	140.5	47.6	52.4	40.3	6	31.7	M6x0.75	17	84	29.5	12.5	39	22	8	56.5	58.5	15000	11300	10000	0.45	50010CG	50010.APE/CG
CHROME STEEL BEARING WITH ECCENTRIC RING (NOLU-CLEAN)																							
20	52205CGFBA	125	41.3	46	33.3	5	28.6	M6x0.75	17	69	27.5	12.5	40.9	23.9	7	49.5	51.5	9850	6580	9500	0.35	50013CG	50013.APE/CG
25	52205CGFB	125	41.3	46	38.1	5	28.6	M6x0.75	16	69	27.5	12.5	39.4	23.4	7.5	52.5	54.5	10800	7800	9000	0.40	50009CG	50009.APE/CG
25	52206CGFBA	140.5	47.6	52.4	38.1	5	31.7	M6x0.75	18	84	29.5	12.5	41.4	23.4	7.5	56.5	58.5	10800	7800	10000	0.45	50010CG	50010.APE/CG
30	52206CGFB	140.5	47.6	52.4	44.5	6	31.7	M8x1.00	17	84	29.5	12.5	44.7	27.7	8	56.5	58.5	15000	11300	10000	0.50	50010CG	50010.APE/CG
STAINLESS STEEL BEARING WITH GRUB SCREWS (NOLU-CLEAN)																							
20	52205CGFA/SS	125	41.3	46	29	5	28.6	M6x0.75	17	69	27.5	12.5	35.7	18.7	7	49.5	51.5	7300	4900	9500	0.30	50013CG	50013.APE/CG
25	52205CGF/SS	125	41.3	46	34	5.5	28.6	M6x0.75	16	69	27.5	12.5	34.7	19.5	7.5	52.5	54.5	8100	5800	9000	0.35	50009CG	50009.APE/CG
25	52206CGFA/SS	140.5	47.6	52.4	34	5.5	31.7	M6x0.75	18	84	29.5	12.5	37.5	19.5	7.5	56.5	58.5	8100	5800	10000	0.40	50010CG	50010.APE/CG
30	52206CGF/SS	140.5	47.6	52.4	40.3	6	31.7	M6x0.75	17	84	29.5	12.5	39	22	8	56.5	58.5	11250	8400	10000	0.45	50010CG	50010.APE/CG

* MAX. RADIAL LOAD CAPACITY OF HOUSING: Values indicated in the table above, are obtained at 23°C. Strength of housing indicated on [page 115](#).

UCFA-R

WATERPROOF



TECHNICAL INFORMATION for UCFA-R

- **Resistance to corrosion:**
 - Polyamide version (PA): good resistance to many corrosive chemicals such as water, oils, greases, petrol, milk, wine, alcoholic beverages.
- **High load capacity.**
- **Continuous operating temperature:**
 - All our bearings can be used at temperatures between 0°C and +80°C. For lower or higher temperatures please consult our Engineering Department.
- **Low maintenance and trouble-free operation.**
- **Easy Cleaning.**
- **Ball bearing pre-lubricated with long-life grease, which is ideal in applications in humid conditions, with water, alkaline or acid solutions.**
- **Concept and design to meet all safety requirements.**
- **Interchangeable with standard cast iron flanged supports.**
- **Self-alignment:**
 - Max misalignment between shaft and housing: 2.0°.
- **Application in the food, beverage and pharmaceutical industry.**
- **Completely sealed units.**



WATERPROOF

SEE ALSO...

- Accessories: [p. 110](#)
Features, lubrication and maintenance: [p. 112](#)
Mounting instruction: [p. 113 - 114](#)
Calculation of load capacity, bearing life: [p. 115 - 116](#)
Chemical resistance: [p. 120 - 121](#)

COMPONENTS

- 1 Housing in reinforced polyamide (Housing in reinforced polypropylene available on request).
- 2 Adjustable chrome steel or stainless steel ball bearing, pre-lubricated. Can be re-lubricated by means of grease-nipple or a quick coupler.
- 3 Ball-type grease-nipple or quick coupler from nickel plated brass (available upon request) to take semi-rigid hoses \varnothing 4 mm in Rilsan (see accessories on [page 110](#)). Version with stainless steel bearing has a stainless steel grease nipple.
- 4 Clip-on safety cap.
- 5 Spacers from nickel plated brass to reinforce fixing holes.
- 6 Polyethylene washer for grease-nipple.
- 8 Rotary shaft seal ring with extra dust-protection lip in NBR rubber.
- 9 Heavy duty O-Ring in NBR rubber.

UCFA-R

WATERPROOF

POLYAMIDE HOUSING



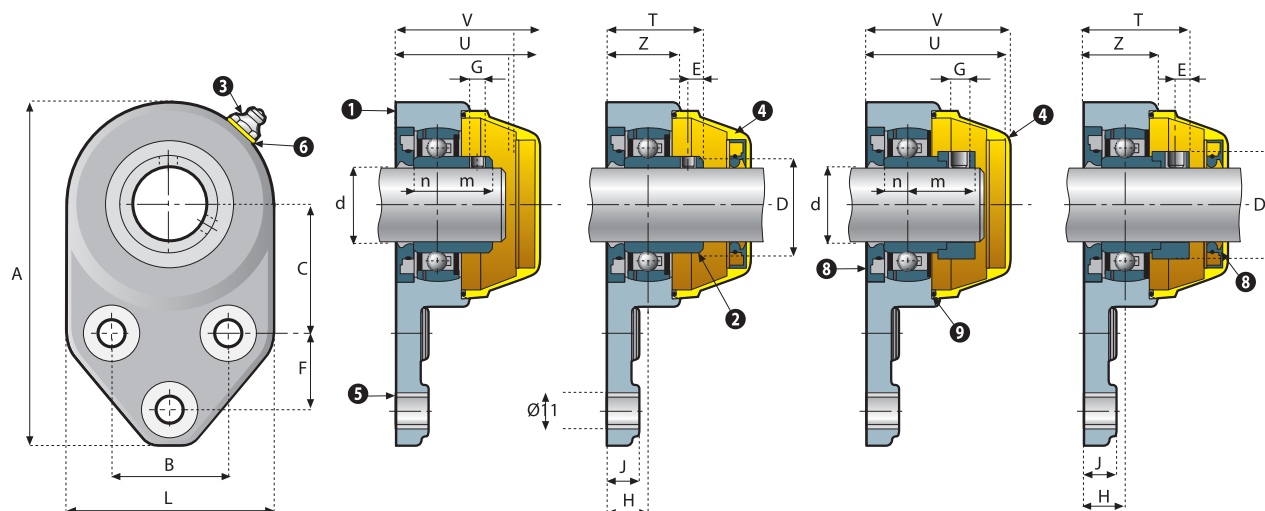
UCFA-R

WATERPROOF

NOLU-CLEAN is a new antimicrobial material of improved hygiene. For detailed information refer to [page 7](#).

NOLU-CLEAN HOUSING





closed version with grub screws

open version with grub screws

closed version with eccentric ring

open version with eccentric ring

Preferred types, readily available (codes marked in red)

Ø d mm	code version		dimension (mm)														bearing load ratings		housing load rating max. N*	weight (Kg)
	closed	open	A	B	C	D	E	F	G	H	L	Z	J	T	m	n	U	V		

CHROME STEEL BEARING WITH GRUB SCREWS (POLYAMIDE)

20	52205FRA	57205FRA	125	41.3	46	29	5	28.6	M6x0.75	17	69	27.5	12.5	35	18	7	49.5	51.5	9850	6580	9500	0.35
25	52205FR	57205FR	125	41.3	46	34	5.5	28.6	M6x0.75	16	69	27.5	12.5	35.5	19.5	7.5	52.5	54.5	10800	7800	9000	0.40
25	52206FRA	57206FRA	140.5	47.6	52.4	34	5.5	31.7	M6x0.75	18	84	29.5	12.5	37.5	19.5	7.5	56.5	58.5	10800	7800	10000	0.45
30	52206FR	57206FR	140.5	47.6	52.4	40.3	6	31.7	M6x0.75	17	84	29.5	12.5	39	22	8	56.5	58.5	15000	11300	10000	0.50

CHROME STEEL BEARING WITH ECCENTRIC RING (POLYAMIDE)

20	52205FRBA	57205FRBA	125	41.3	46	33.5	5	28.6	M6x0.75	17	69	27.5	12.5	40.9	23.9	7	49.5	51.5	9850	6580	9500	0.40
25	52205FRB	57205FRB	125	41.3	46	38.1	5	28.6	M6x0.75	16	69	27.5	12.5	39.4	23.4	7.5	52.5	54.5	10800	5800	9000	0.45
25	52206FRBA	57206FRBA	140.5	47.6	52.4	38.1	5	31.7	M6x0.75	18	84	29.5	12.5	41.4	23.4	7.5	56.5	58.5	10800	5800	10000	0.50
30	52206FRB	57206FRB	140.5	47.6	52.4	44.3	6	31.7	M6x0.75	17	84	29.5	12.5	44.7	27.7	8	56.5	58.5	15000	8400	10000	0.55

* MAX. RADIAL LOAD CAPACITY OF HOUSING: Values indicated in the table above, are obtained at 23°C. Strength of housing indicated on [page 115](#).

Preferred types, readily available (codes marked in red)

Ø d mm	code version		dimension (mm)														bearing load ratings		housing load rating max. N*	weight (Kg)
	closed	open	A	B	C	D	E	F	G	H	L	Z	J	T	m	n	U	V		

CHROME STEEL BEARING WITH GRUB SCREWS (NOLU-CLEAN)

20	52205CGFRA	57205CGFRA	125	41.3	46	29	5	28.6	M6x0.75	17	69	27.5	12.5	35	18	7	49.5	51.5	9850	6580	9500	0.35
25	52205CGFR	57205CGFR	125	41.3	46	34	5.5	28.6	M6x0.75	16	69	27.5	12.5	35.5	19.5	7.5	52.5	54.5	10800	7800	9000	0.40
25	52206CGFRA	57206CGFRA	140.5	47.6	52.4	34	5.5	31.7	M6x0.75	18	84	29.5	12.5	37.5	19.5	7.5	56.5	58.5	10800	7800	10000	0.45
30	52206CGFR	57206CGFR	140.5	47.6	52.4	40.3	6	31.7	M6x0.75	17	84	29.5	12.5	39	22	8	56.5	58.5	15000	11300	10000	0.50

CHROME STEEL BEARING WITH ECCENTRIC RING (NOLU-CLEAN)

20	52205CGFRBA	57205CGFRBA	125	41.3	46	33.5	5	28.6	M6x0.75	17	69	27.5	12.5	40.9	23.9	7	49.5	51.5	9850	6580	9500	0.40
25	52205CGFRB	57205CGFRB	125	41.3	46	38.1	5	28.6	M6x0.75	16	69	27.5	12.5	39.4	23.4	7.5	52.5	54.5	10800	5800	9000	0.45
25	52206CGFRBA	57206CGFRBA	140.5	47.6	52.4	38.1	5	31.7	M6x0.75	18	84	29.5	12.5	41.4	23.4	7.5	56.5	58.5	10800	5800	10000	0.50
30	52206CGFRB	57206CFRB	140.5	47.6	52.4	44.3	6	31.7	M6x0.75	17	84	29.5	12.5	44.7	27.7	8	56.5	58.5	15000	8400	10000	0.55

* MAX. RADIAL LOAD CAPACITY OF HOUSING: Values indicated in the table above, are obtained at 23°C. Strength of housing indicated on [page 115](#).

STANDARD



TECHNICAL INFORMATION for UCFG

- **Resistance to corrosion:**
 - Polyamide version (PA): good resistance to many corrosive chemicals such as water, oils, greases, petrol, milk, wine, alcoholic beverages.
- **High load capacity.**
- **Continuous operating temperature:**
 - All our bearings can be used at temperatures between 0°C and +80°C. For lower or higher temperatures please consult our Engineering Department.
- **Low maintenance and trouble-free operation.**
- **Easy Cleaning.**
- **Ball bearing pre-lubricated with long-life grease, which is ideal in applications in humid conditions, with water, alkaline or acid solutions.**
- **Concept and design to meet all safety requirements.**
- **Interchangeable with standard cast iron flanged supports.**
- **Self-alignment:**
 - Max misalignment between shaft and housing: 2.5°.
- **Application in the food, beverage and pharmaceutical industry.**

COMPONENTS

- ① Housing in reinforced polyamide (Housing in reinforced polypropylene available on request).
- ② Adjustable chrome steel or stainless steel ball bearing, pre-lubricated. Can be re-lubricated by means of grease-nipple or a quick coupler.
- ③ Ball-type grease-nipple or quick coupler from nickel plated brass (available upon request) to take semi-rigid hoses ø 4 mm in Rilsan (see accessories on [page 110](#)). Version with stainless steel bearing has a stainless steel grease nipple.
- ④ Clip-on safety cap (accessory).
- ⑤ Spacers from nickel plated brass to reinforce fixing holes.
- ⑥ Polyethylene washer for grease-nipple.

UCFG
STANDARD

POLYAMIDE HOUSING



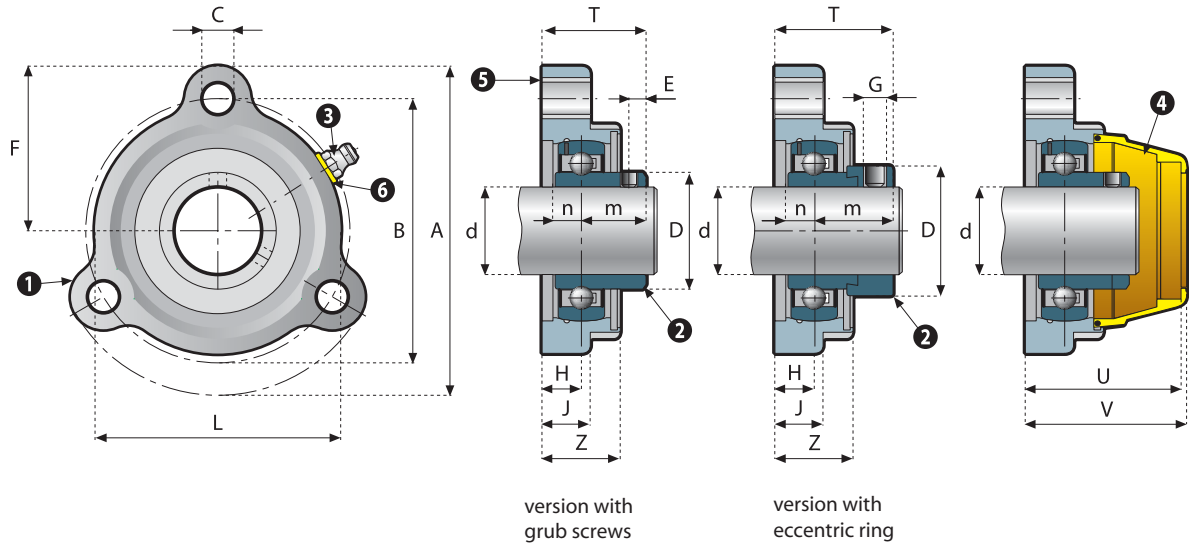
accessory

COLOUR

- Safety cap in yellow.
- For sufficient quantities parts can be produced in different colours.

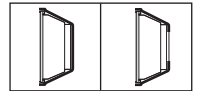
SEE ALSO...

Accessories: [p. 110](#)
 Features, lubrication and maintenance: [p. 112](#)
 Mounting instruction: [p. 113 - 114](#)
 Calculation of load capacity, bearing life: [p. 115 - 116](#)
 Chemical resistance: [p. 120 - 121](#)



Preferred types, readily available (codes marked in red)

Accessories



Ø d mm	code version	dimension (mm)														bearing load ratings		housing load rating max.N*	weight (Kg)	closed safety cap code	open safety cap code		
		A	B	C	D	E	F	G	H	L	Z	J	T	m	n	U	V					dynamic C (N)	static Co (N)
CHROME STEEL BEARING WITH GRUB SCREWS (POLYAMIDE)																							
25	52205G	95.5	76.2	8.5	34	5.5	47.7	M6x0.75	13.5	71	25	16.5	33	19.5	7.5	48	50	10800	7800	5000	0.25	50009	50009.APE
30	52206G	113	91	11	40.3	6	56.5	M6x0.75	13.5	84.1	27	16.5	35.5	22	8	54	56	15000	11300	6000	0.30	50027	50027.APE
35	52207G	126.5	101.5	11	48	6.5	63.3	M8x1.00	18	93.7	33	16.5	41.5	23.5	8.5	60	62	19700	15300	8000	0.35	50010	50010.APE
CHROME STEEL BEARING WITH ECCENTRIC RING (POLYAMIDE)																							
25	52205GB	95.5	76.2	8.5	38.1	5	47.7	M6x0.75	13.5	71	25	16.5	36.9	23.4	7.5	48	50	10800	7800	5000	0.30	50009	50009.APE
30	52206GB	113	91	11	44.5	6	56.5	M6x0.75	13.5	84.1	27	16.5	41.2	27.7	8	54	56	15000	11300	6000	0.35	50027	50027.APE
35	52207GB	126.5	101.5	11	55.6	6.5	63.3	M8x1.00	18	93.7	33	16.5	48.4	30.4	8.5	60	62	19700	15300	8000	0.40	50010	50010.APE
STAINLESS STEEL BEARING WITH GRUB SCREWS (POLYAMIDE)																							
25	52205G/SS	95.5	76.2	8.5	34	5.5	47.7	M6x0.75	13.5	71	25	16.5	33	19.5	7.5	48	50	8100	5800	5000	0.25	50009	50009.APE
30	52206G/SS	113	91	11	40.3	6	56.5	M6x0.75	13.5	84.1	27	16.5	35.5	22	8	54	56	11250	8400	6000	0.30	50027	50027.APE
35	52207G/SS	126.5	101.5	11	48	6.5	63.3	M8x1.00	18	93.7	33	16.5	41.5	23.5	8.5	60	62	14700	11400	8000	0.35	50010	50010.APE

* **MAX. RADIAL LOAD CAPACITY OF HOUSING:** Values indicated in the table above, are obtained at 23°C. Strength of housing indicated on [page 115](#).

UCFG-R

WATERPROOF



COMPONENTS

- 1 Housing in reinforced polyamide (Housing in reinforced polypropylene available on request).
- 2 Adjustable chrome steel or stainless steel ball bearing, pre-lubricated. Can be re-lubricated by means of grease-nipple or a quick coupler.
- 3 Ball-type grease-nipple or quick coupler from nickel plated brass (available upon request) to take semi-rigid hoses \varnothing 4 mm in Rilsan (see accessories on page 110). Version with stainless steel bearing has a stainless steel grease nipple.
- 4 Clip-on safety cap.
- 5 Spacers from nickel plated brass to reinforce fixing holes.
- 6 Polyethylene washer for grease-nipple.
- 8 Rotary shaft seal with extra dust-protection lip in NBR rubber.
- 9 Heavy duty O-Ring in NBR rubber.

TECHNICAL INFORMATION for UCFG-R

- **Resistance to corrosion:**
 - Polyamide version (PA): good resistance to many corrosive chemicals such as water, oils, greases, petrol, milk, wine, alcoholic beverages.
- **High load capacity.**
- **Continuous operating temperature:**
 - All our bearings can be used at temperatures between 0°C and +80°C. For lower or higher temperatures please consult our Engineering Department.
- **Low maintenance and trouble-free operation.**
- **Easy Cleaning.**
- **Ball bearing pre-lubricated with long-life grease, which is ideal in applications in humid conditions, with water, alkaline or acid solutions.**
- **Concept and design to meet all safety requirements.**
- **Interchangeable with standard cast iron flanged supports.**
- **Self-alignment:**
 - Max misalignment between shaft and housing: 2.5°.
- **Application in the food, beverage and pharmaceutical industry.**
- **Completely sealed units.**

UCFG-R WATERPROOF

POLYAMIDE HOUSING



WATERPROOF

SEE ALSO...

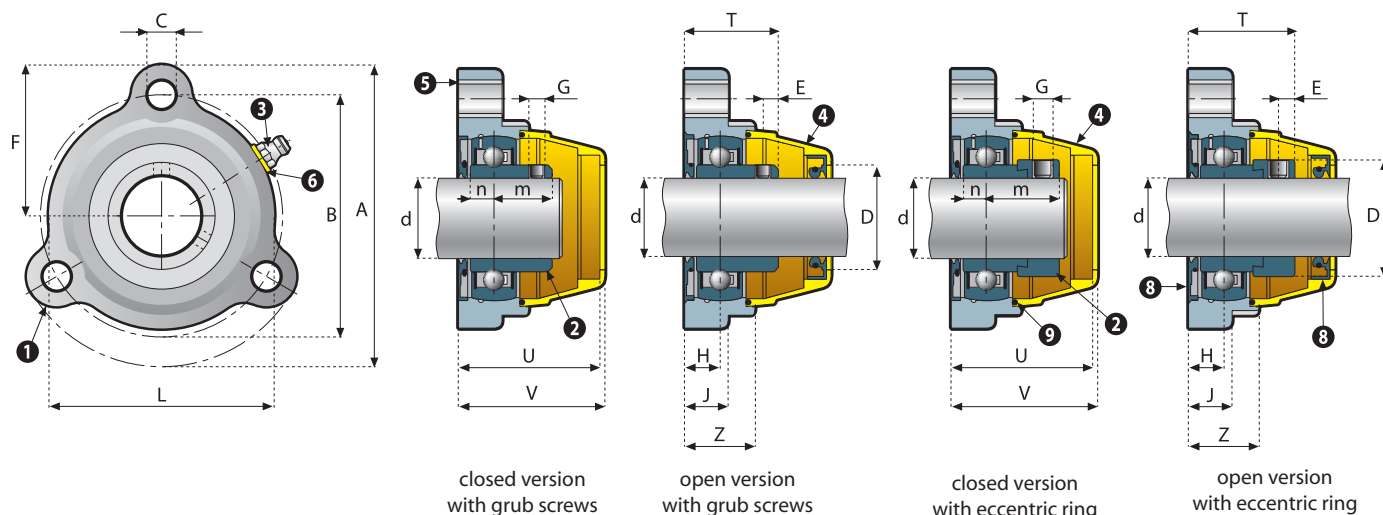
Accessories: [p. 110](#)

Features, lubrication and maintenance: [p. 112](#)

Mounting instruction: [p. 113 - 114](#)

Calculation of load capacity, bearing life: [p. 115 - 116](#)

Chemical resistance: [p. 120 - 121](#)



Preferred types, readily available (codes marked in red)

ø d mm	code version		dimension (mm)														bearing load ratings		housing load rating max. N*	weight (Kg)		
	closed	open	A	B	C	D	E	F	G	H	L	Z	J	T	m	n	U	V			dynamic C (N)	static Co (N)
CHROME STEEL BEARING WITH GRUB SCREWS (POLYAMIDE)																						
25	52205GR	57205GR	95.5	76.2	8.5	34	5.5	47.7	M6x0.75	13.5	71	25	16.5	33	19.5	7.5	48	50	10800	7800	5000	0.30
30	52206GR	57206GR	113	91	11	40.3	6	56.5	M6x0.75	13.5	84.1	27	16.5	35.5	22	8	54	56	15000	11300	6000	0.35
35	52207GR	57207GR	126.5	101.5	11	48	6.5	63.3	M8x1.00	18	93.7	33	16.5	41.5	23.5	8.5	60	62	19700	15300	8000	0.40
CHROME STEEL BEARING WITH ECCENTRIC RING (POLYAMIDE)																						
25	52205GRB	57205GRB	95.5	76.2	8.5	38.1	5	47.7	M6x0.75	13.5	71	25	16.5	36.9	23.4	7.5	48	50	10800	7800	5000	0.35
30	52206GRB	57206GRB	113	91	11	44.5	6	56.5	M6x0.75	13.5	84.1	27	16.5	41.2	27.7	8	54	56	15000	11300	6000	0.40
35	52207GRB	57207GRB	126.5	101.5	11	55.6	6.5	63.3	M8x1.00	18	93.7	33	16.5	48.4	30.4	8.5	60	62	19700	15300	8000	0.45

* **MAX. RADIAL LOAD CAPACITY OF HOUSING:** Values indicated in the table above, are obtained at 23°C. Strength of housing indicated on [page 115](#).

STANDARD



TECHNICAL INFORMATION for UCT

- **Resistance to corrosion:**
 - Polyamide version (PA): good resistance to many corrosive chemicals such as water, oils, greases, petrol, milk, wine, alcoholic beverages.
- **High load capacity.**
- **Continuous operating temperature:**
 - All our bearings can be used at temperatures between 0°C and +80°C. For lower or higher temperatures please consult our Engineering Department.
- **Economical operation.**
 - Long life bearing insert.
- **Self-alignment:**
 - Max misalignment between shaft and housing: 2.5°.
- **Concept and design to meet all safety requirements.**
- **Ball bearing pre-lubricated with long-life grease, which is ideal in applications in humid conditions, with water, alkaline or acid solutions.**

COMPONENTS

- ❶ Housing in reinforced polyamide (Housing in reinforced polypropylene available on request).
- ❷ Adjustable chrome steel or stainless steel ball bearing, pre-lubricated. Can be re-lubricated by means of grease-nipple or a quick coupler.
- ❸ Ball-type grease-nipple or quick coupler from nickel plated brass (available upon request) to take semi-rigid hoses ø 4 mm in Rilsan (see accessories on [page 110](#)). Version with stainless steel bearing has a stainless steel grease nipple.
- ❹ Clip-on safety cap (accessory).
- ❺ Polyethylene washer for grease-nipple.

UCT
STANDARD

POLYAMIDE HOUSING



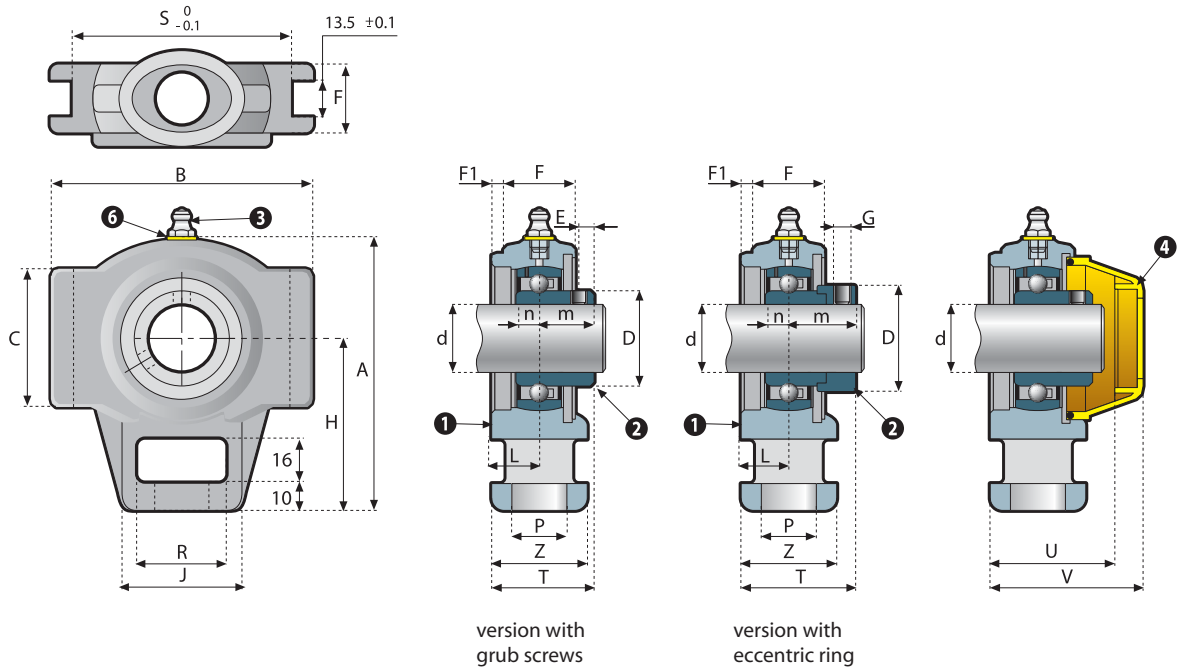
accessory

COLOUR

- Safety cap in yellow.
- For sufficient quantities parts can be produced in different colours.

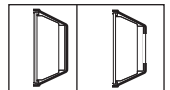
SEE ALSO...

Accessories: [p. 110](#)
 Features, lubrication and maintenance: [p. 112](#)
 Mounting instruction: [p. 113 - 114](#)
 Calculation of load capacity, bearing life: [p. 115 - 116](#)
 Chemical resistance: [p. 120 - 121](#)



Preferred types, readily available (codes marked in red)

Accessories



Ø d mm	code version	dimension (mm)																			bearing load ratings		housing load rating max. N*	weight (Kg)	closed safety cap code	open safety cap code	
		A	B	C	D	E	F	F1	G	H	L	ØP	R	S	J	Z	T	m	n	U	V	dynamic C (N)					static Co (N)
CHROME STEEL BEARING WITH GRUB SCREWS (POLYAMIDE)																											
20	52204T	97.5	92	50	29	5	25	4.5	M6x0.75	62	17	19	32	76	45	34	35	18	7	44.5	54.5	9850	6580	7800	0.30	50009	50009.APE
25	52205T	97.5	92	50	34	5.5	25	4.5	M6x0.75	62	17	19	32	76	45	34	36.5	19.5	7.5	44.5	54.5	10800	7800	6500	0.35	50009	50009.APE
30	52206T	118	104	57	40.3	6	28	4.5	M6x0.75	72	18.5	22	37	89	56	37	40.5	22	8	51.5	61.5	15000	11300	12000	0.45	50010	50010.APE
35	52207T	118	104	57	48	6.5	28	4.5	M8x1.00	72	18.5	22	37	89	56	37	42	23.5	8.5	51.5	61.5	19700	15300	10000	0.55	50010	50010.APE
CHROME STEEL BEARING WITH ECCENTRIC RING (POLYAMIDE)																											
20	52204TB	97.5	92	50	33.3	5	25	4.5	M6x0.75	62	17	19	32	76	45	34	40.9	23.9	7	44.5	54.5	9850	6580	7800	0.38	50009	50009.APE
25	52205TB	97.5	92	50	38.1	5	25	4.5	M6x0.75	62	17	19	32	76	45	34	40.4	23.4	7.5	44.5	54.5	10800	7800	6500	0.40	50009	50009.APE
30	52206TB	118	104	57	44.5	6	28	4.5	M6x0.75	72	18.5	22	37	89	56	37	46.2	27.7	8	51.5	61.5	15000	11300	12000	0.50	50010	50010.APE
35	52207TB	118	104	57	55.6	6.5	28	4.5	M8x1.00	72	18.5	22	37	89	56	37	48.9	30.4	8.5	51.5	61.5	19700	15300	10000	0.60	50010	50010.APE
STAINLESS STEEL BEARING WITH GRUB SCREWS (POLYAMIDE)																											
20	52204T/SS	97.5	92	50	29	5	25	4.5	M6x0.75	62	17	19	32	76	45	34	35.7	18.7	7	44.5	54.5	7300	4900	7800	0.30	50009	50009.APE
25	52205T/SS	97.5	92	50	34	5.5	25	4.5	M6x0.75	62	17	19	32	76	45	34	36.5	19.5	7.5	44.5	54.5	8100	5800	6500	0.35	50009	50009.APE
30	52206T/SS	118	104	57	40.3	6	28	4.5	M6x0.75	72	18.5	22	37	89	56	37	40.5	22	8	51.5	61.5	11250	8400	12000	0.45	50010	50010.APE
35	52207T/SS	118	104	57	48	6.5	28	4.5	M8x1.00	72	18.5	22	37	89	56	37	42	23.5	8.5	51.5	61.5	14700	11400	10000	0.55	50010	50010.APE

* MAX. RADIAL LOAD CAPACITY OF HOUSING: Values indicated in the table above, are obtained at 23°C. Strength of housing indicated on [page 115](#).

UCT-R

WATERPROOF



TECHNICAL INFORMATION for UCT-R

- **Resistance to corrosion:**
 - Polyamide version (PA): good resistance to many corrosive chemicals such as water, oils, greases, petrol, milk, wine, alcoholic beverages.
- **High load capacity.**
- **Continuous operating temperature:**
 - All our bearings can be used at temperatures between 0°C and +80°C. For lower or higher temperatures please consult our Engineering Department.
- **Economical operation.**
 - Long life bearing insert.
- **Self-alignment:**
 - Max misalignment between shaft and housing: 2.0°.
- **Concept and design to meet all safety requirements.**
- **Interchangeable with standard cast iron flanged supports.**
- **Completely sealed units.**
- **Ball bearing pre-lubricated with long-life grease, which is ideal in applications in humid conditions, with water, alkaline or acid solutions.**

COMPONENTS

- 1 Housing in reinforced polyamide (Housing in reinforced polypropylene available on request).
- 2 Adjustable chrome steel or stainless steel ball bearing, pre-lubricated. Can be re-lubricated by means of grease-nipple or a quick coupler.
- 3 Ball-type grease-nipple or quick coupler from nickel plated brass (available upon request) to take semi-rigid hoses ø 4 mm in Rilsan (see accessories on [page 110](#)). Version with stainless steel bearing has a stainless steel grease nipple.
- 4 Clip-on safety cap.
- 6 Polyethylene washer for grease-nipple.
- 8 Rotary shaft seal ring with extra dust-protection lip in NBR rubber.
- 9 Heavy duty O-Ring in NBR rubber.

UCT-R WATERPROOF

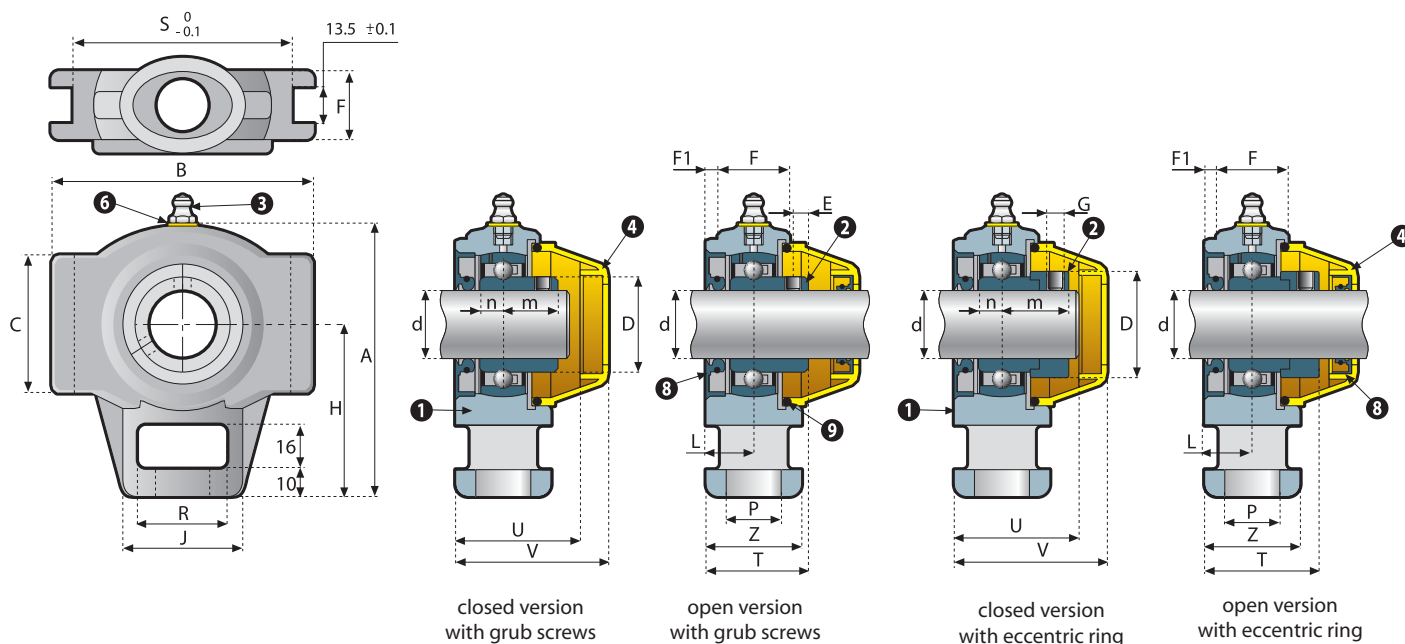
POLYAMIDE HOUSING



WATERPROOF

SEE ALSO...

- Accessories: [p. 110](#)
Features, lubrication and maintenance: [p. 112](#)
Mounting instruction: [p. 113 - 114](#)
Calculation of load capacity, bearing life: [p. 115 - 116](#)
Chemical resistance: [p. 120 - 121](#)



Preferred types, readily available (codes marked in red)

∅ d mm	code version		dimension (mm)																	bearing load ratings		housing load rating max. N*	weight (Kg)
	closed	open	A	B	C	D	E	F	F1	G	H	L	∅P	R	S	J	Z	T	m	n	U		

CHROME STEEL BEARING WITH GRUB SCREWS (POLYAMIDE)

20	52204TR	57204TR	97.5	92	50	29	5	25	4.5	M6x0.75	62	17	19	32	76	45	34	35	18	7	44.5	54.5	9850	6580	7800	0.30
25	52205TR	57205TR	97.5	92	50	34	5.5	25	4.5	M6x0.75	62	17	19	32	76	45	34	36.5	19.5	7.5	44.5	54.5	10800	7800	6500	0.35
30	52206TR	57206TR	118	104	57	40.3	6	28	4.5	M6x0.75	72	18.5	22	37	89	56	37	40.5	22	8	51.5	61.5	15000	11300	12000	0.45
35	52207TR	57207TR	118	104	57	48	6.5	28	4.5	M8x1.00	72	18.5	22	37	89	56	37	42	23.5	8.5	51.5	61.5	19700	15300	10000	0.55

CHROME STEEL BEARING WITH ECCENTRIC RING (POLYAMIDE)

20	52204TRB	57204TRB	97.5	92	50	33.3	5	25	4.5	M6x0.75	62	17	19	32	76	45	34	40.9	23.9	7	44.5	54.5	9850	6580	7800	0.40
25	52205TRB	57205TRB	97.5	92	50	38.1	5	25	4.5	M6x0.75	62	17	19	32	76	45	34	40.4	23.4	7.5	44.5	54.5	10800	7800	6500	0.42
30	52206TRB	57206TRB	118	104	57	44.5	6	28	4.5	M6x0.75	72	18.5	22	37	89	56	37	46.2	27.7	8	51.5	61.5	15000	11300	12000	0.52
35	52207TRB	57207TRB	118	104	57	55.6	6.5	28	4.5	M8x1.00	72	18.5	22	37	89	56	37	48.9	30.4	8.5	51.5	61.5	19700	15300	10000	0.62

* **MAX. RADIAL LOAD CAPACITY OF HOUSING:** Values indicated in the table above, are obtained at 23°C. Strength of housing indicated on [page 115](#).

STANDARD



COMPONENTS

- ① Housing in reinforced polyamide (Housing in reinforced polypropylene available on request).
- ② Adjustable chrome steel or stainless steel ball bearing, pre-lubricated. Can be re-lubricated by means of grease-nipple or a quick coupler.
- ③ Ball-type grease-nipple or quick coupler from nickel plated brass (available upon request) to take semi-rigid hoses \varnothing 4 mm in Rilsan (see accessories on [page 110](#)). Version with stainless steel bearing has a stainless steel grease nipple.
- ④ Clip-on safety cap (accessory).
- ⑥ Polyethylene washer for grease-nipple.
- ⑪ Threaded bush in nickel plated brass.

TECHNICAL INFORMATION for UCHA

- **Resistance to corrosion:**
 - Polyamide version (PA): good resistance to many corrosive chemicals such as water, oils, greases, petrol, milk, wine, alcoholic beverages.
- **High load capacity.**
- **Continuous operating temperature:**
 - All our bearings can be used at temperatures between 0°C and +80°C. For lower or higher temperatures please consult our Engineering Department.
- **Economical operation.**
 - Long life bearing insert.
- **Self-alignment:**
 - Max misalignment between shaft and housing: 2.5°.
- **Concept and design to meet all safety requirements.**
- **Ball bearing pre-lubricated with long-life grease, which is ideal in applications in humid conditions, with water, alkaline or acid solutions.**

UCHA STANDARD

POLYAMIDE HOUSING



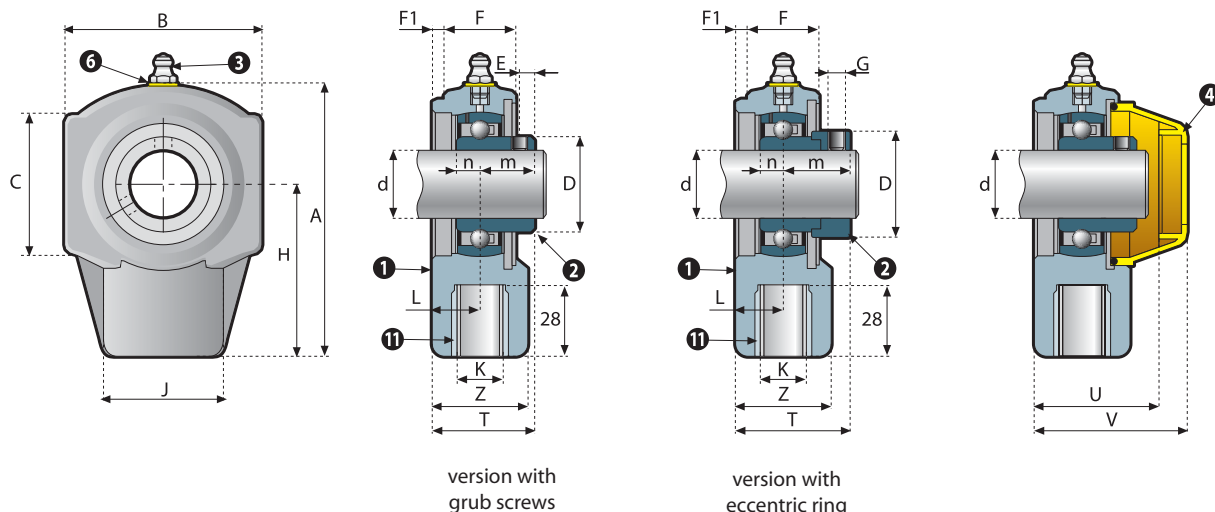
accessory

COLOUR

- Safety cap in yellow.
- For sufficient quantities parts can be produced in different colours.

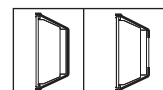
SEE ALSO...

Accessories: [p. 110](#)
 Features, lubrication and maintenance: [p. 112](#)
 Mounting instruction: [p. 113 - 114](#)
 Calculation of load capacity, bearing life: [p. 115 - 116](#)
 Chemical resistance: [p. 120 - 121](#)



Preferred types, readily available (codes marked in red)

Accessories



Ø d mm	code version	dimension (mm)																	bearing load ratings		housing load rating max. N*	weight (Kg)	closed safety cap code	open safety cap code	
		A	B	C	D	E	F	F1	G	H	K	L	Z	J	T	m	n	U	V	dynamic C (N)					static Co (N)
CHROME STEEL BEARING WITH GRUB SCREWS (POLYAMIDE)																									
20	52204A	97.5	65	50	29	5	25	4.5	M6x0.75	62	M16	17	34	45	35	18	7	44.5	54.5	9850	6580	10000	0.30	50009	50009.APE
25	52205A	97.5	70	50	34	5.5	25	4.5	M6x0.75	62	M20	17	34	45	36.5	19.5	7.5	44.5	54.5	10800	7800	8500	0.35	50009	50009.APE
30	52206A	118	85	57	40.3	6	28	4.5	M6x0.75	72	M24	18.5	37	56	40.5	22	8	51.5	61.5	15000	11300	14000	0.45	50010	50010.APE
35	52207A	118	90	57	48	6.5	28	4.5	M8x1.00	72	M24	18.5	37	56	42	23.5	8.5	51.5	61.5	19700	15300	12000	0.55	50010	50010.APE
CHROME STEEL BEARING WITH ECCENTRIC RING (POLYAMIDE)																									
20	52204AB	97.5	65	50	33.3	5	25	4.5	M6x0.75	62	M16	17	34	45	40.9	23.9	7	44.5	54.5	9850	6580	10000	0.38	50009	50009.APE
25	52205AB	97.5	70	50	38.1	5	25	4.5	M6x0.75	62	M20	17	34	45	40.4	23.4	7.5	44.5	54.5	10800	7800	8500	0.40	50009	50009.APE
30	52206AB	118	85	57	44.5	6	28	4.5	M6x0.75	72	M24	18.5	37	56	46.2	27.7	8	51.5	61.5	15000	11300	14000	0.50	50010	50010.APE
35	52207AB	118	90	57	55.6	6.5	28	4.5	M8x1.00	72	M24	18.5	37	56	48.9	30.4	8.5	51.5	61.5	19700	15300	12000	0.60	50010	50010.APE
STAINLESS STEEL BEARING WITH GRUB SCREWS (POLYAMIDE)																									
20	52204A/SS	97.5	65	50	29	5	25	4.5	M6x0.75	62	M16	17	34	45	35.7	18.7	7	44.5	54.5	7300	4900	10000	0.30	50009	50009.APE
25	52205A/SS	97.5	70	50	34	5.5	25	4.5	M6x0.75	62	M20	17	34	45	36.5	19.5	7.5	44.5	54.5	8100	5800	8500	0.35	50009	50009.APE
30	52206A/SS	118	85	57	40.3	6	28	4.5	M6x0.75	72	M24	18.5	37	56	40.5	22	8	51.5	61.5	11250	8400	14000	0.45	50010	50010.APE
35	52207A/SS	118	90	57	48	6.5	28	4.5	M8x1.00	72	M24	18.5	37	56	42	23.5	8.5	51.5	61.5	14700	11400	12000	0.55	50010	50010.APE

* **MAX. RADIAL LOAD CAPACITY OF HOUSING:** Values indicated in the table above, are obtained at 23°C. Strength of housing indicated on [page 115](#).

UCHA-R

WATERPROOF



TECHNICAL INFORMATION for UCHA-R

- **Resistance to corrosion:**
 - Polyamide version (PA): good resistance to many corrosive chemicals such as water, oils, greases, petrol, milk, wine, alcoholic beverages.
- **High load capacity.**
- **Continuous operating temperature:**
 - All our bearings can be used at temperatures between 0°C and +80°C. For lower or higher temperatures please consult our Engineering Department.
- **Economical operation.**
 - Long life bearing insert.
- **Self-alignment:**
 - Max misalignment between shaft and housing: 2.0°.
- **Concept and design to meet all safety requirements.**
- **Interchangeable with standard cast iron flanged supports.**
- **Completely sealed units.**
- **Ball bearing pre-lubricated with long-life grease, which is ideal in applications in humid conditions, with water, alkaline or acid solutions.**

COMPONENTS

- ① Housing in reinforced polyamide (Housing in reinforced polypropylene available on request).
- ② Adjustable chrome steel or stainless steel ball bearing, pre-lubricated. Can be re-lubricated by means of grease-nipple or a quick coupler.
- ③ Ball-type grease-nipple or quick coupler from nickel plated brass (available upon request) to take semi-rigid hoses \varnothing 4 mm in Rilsan (see accessories on [page 110](#)). Version with stainless steel bearing has a stainless steel grease nipple.
- ④ Clip-on safety cap.
- ⑥ Polyethylene washer for grease-nipple.
- ⑧ Rotary shaft seal ring with extra dust-protection lip in NBR rubber.
- ⑨ Heavy duty O-Ring in NBR rubber.
- ⑩ Threaded bush in nickel plated brass.

UCHA-R WATERPROOF

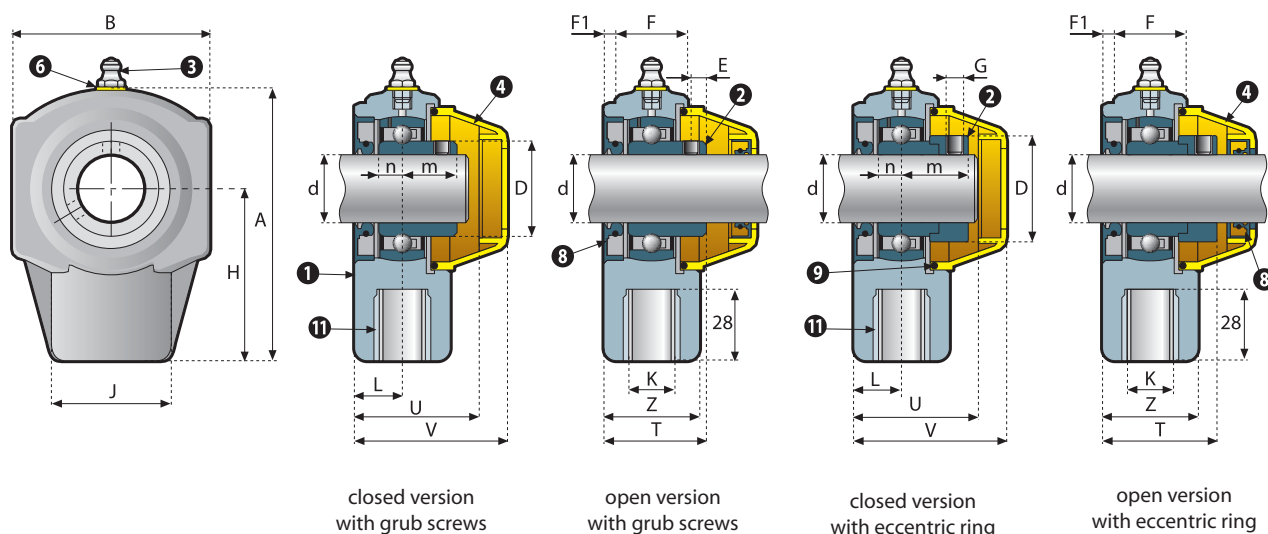
POLYAMIDE HOUSING



WATERPROOF

SEE ALSO...

- Accessories: [p. 110](#)
Features, lubrication and maintenance: [p. 112](#)
Mounting instruction: [p. 113 - 114](#)
Calculation of load capacity, bearing life: [p. 115 - 116](#)
Chemical resistance: [p. 120 - 121](#)



Preferred types, readily available (codes marked in red)

ø d mm	code version		dimension (mm)																bearing load ratings		housing load rating max. N*	weight (Kg)
	closed	open	A	B	C	D	E	F	F1	G	H	K	L	J	Z	T	m	n	U	V		

CHROME STEEL BEARING WITH GRUB SCREWS (POLYAMIDE)

20	52204AR	57204AR	97.5	65	50	29	5	25	4.5	M6x0.75	62	M16	17	45	34	35	18	7	44.5	54.5	9850	6580	10000	0.30
25	52205AR	57205AR	97.5	70	50	34	5.5	25	4.5	M6x0.75	62	M20	17	45	34	36.5	19.5	7.5	44.5	54.5	10800	7800	8500	0.35
30	52206AR	57206AR	118	85	57	40.3	6	28	4.5	M6x0.75	72	M24	18.5	56	37	40.5	22	8	51.5	61.5	15000	11300	14000	0.45
35	52207AR	57207AR	118	90	57	48	6.5	28	4.5	M8x1.00	72	M24	18.5	56	37	42	23.5	8.5	51.5	61.5	19700	15300	12000	0.55

CHROME STEEL BEARING WITH ECCENTRIC RING (POLYAMIDE)

20	52204ARB	57204ARB	97.5	65	50	33.3	5	25	4.5	M6x0.75	62	M16	17	45	34	40.9	23.9	7	44.5	54.5	9850	6580	10000	0.38
25	52205ARB	57205ARB	97.5	70	50	38.1	5	25	4.5	M6x0.75	62	M20	17	45	34	40.4	23.4	7.5	44.5	54.5	10800	7800	8500	0.40
30	52206ARB	57206ARB	118	85	57	44.5	6	28	4.5	M6x0.75	72	M24	18.5	56	37	46.2	27.7	8	51.5	61.5	15000	11300	14000	0.50
35	52207ARB	57207ARB	118	90	57	55.6	6.5	28	4.5	M8x1.00	72	M24	18.5	56	37	48.9	30.4	8.5	51.5	61.5	19700	15300	12000	0.60

* **MAX. RADIAL LOAD CAPACITY OF HOUSING:** Values indicated in the table above, are obtained at 23°C. Strength of housing indicated on [page 115](#).

STANDARD



TECHNICAL INFORMATION for UCHE

- **Resistance to corrosion:**
 - Polyamide version (PA): good resistance to many corrosive chemicals such as water, oils, greases, petrol, milk, wine, alcoholic beverages.
- **High load capacity.**
- **Continuous operating temperature:**
 - All our bearings can be used at temperatures between 0°C and +80°C. For lower or higher temperatures please consult our Engineering Department.
- **Economical operation.**
 - Long life bearing insert.
- **Self-alignment:**
 - Max misalignment between shaft and housing: 2.5°.
- **Concept and design to meet all safety requirements.**
- **Ball bearing pre-lubricated with long-life grease, which is ideal in applications in humid conditions, with water, alkaline or acid solutions.**

COMPONENTS

- ① Housing in reinforced polyamide (Housing in reinforced polypropylene available on request).
- ② Adjustable chrome steel or stainless steel ball bearing, pre-lubricated. Can be re-lubricated by means of grease-nipple or a quick coupler.
- ③ Ball-type grease-nipple or quick coupler from nickel plated brass (available upon request) to take semi-rigid hoses ø 4 mm in Rilsan (see accessories on [page 110](#)). Version with stainless steel bearing has a stainless steel grease nipple.
- ④ Clip-on safety cap (accessory).
- ⑥ Polyethylene washer for grease-nipple.
- ⑪ Threaded bush in nickel plated brass.

UCHE STANDARD

POLYAMIDE HOUSING



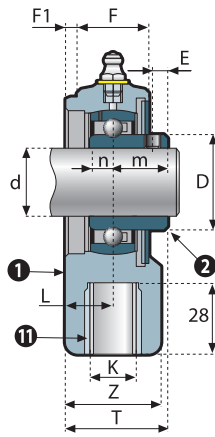
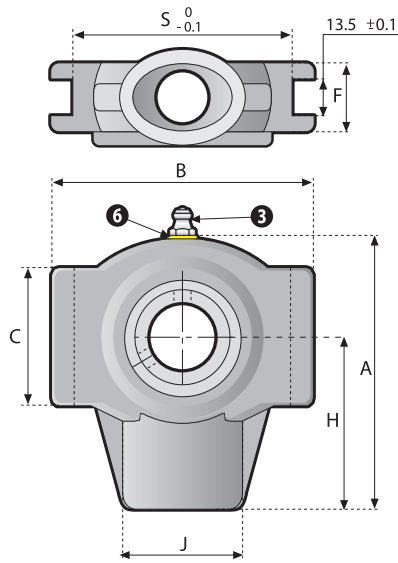
accessory

COLOUR

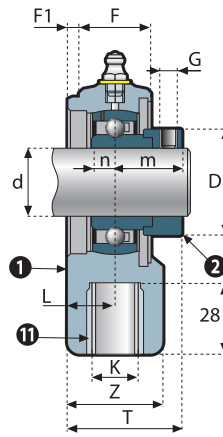
- Safety cap in yellow.
- For sufficient quantities parts can be produced in different colours.

SEE ALSO...

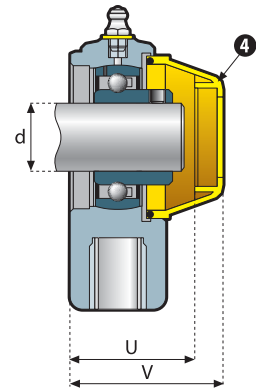
Accessories: [p. 110](#)
 Features, lubrication and maintenance: [p. 112](#)
 Mounting instruction: [p. 113 - 114](#)
 Calculation of load capacity, bearing life: [p. 115 - 116](#)
 Chemical resistance: [p. 120 - 121](#)



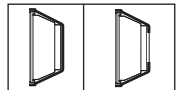
version with grub screws



version with eccentric ring



Accessories



Preferred types, readily available (codes marked in red)

Ø d mm	code version	dimension (mm)																		bearing load ratings		housing load rating max. N*	weight (Kg)	closed safety cap code	open safety cap code	
		A	B	C	D	E	F	F1	G	H	K	L	S	J	Z	T	m	n	U	V	dynamic C (N)					static Co (N)
CHROME STEEL BEARING WITH GRUB SCREWS (POLYAMIDE)																										
20	52204E	97.5	92	50	29	5	25	4.5	M6x0.75	62	M16	17	76	45	34	35	18	7	44.5	54.5	9850	6580	10000	0.30	50009	50009.APE
25	52205E	97.5	92	50	34	5.5	25	4.5	M6x0.75	62	M20	17	76	45	34	36.5	19.5	7.5	44.5	54.5	10800	7800	8500	0.35	50009	50009.APE
30	52206E	118	104	57	40.3	6	28	4.5	M6x0.75	72	M24	18.5	89	56	37	40.5	22	8	51.5	61.5	15000	11300	14000	0.45	50010	50010.APE
35	52207E	118	104	57	48	6.5	28	4.5	M8x1.00	72	M24	18.5	89	56	37	42	23.5	8.5	51.5	61.5	19700	15300	12000	0.55	50010	50010.APE
CHROME STEEL BEARING WITH ECCENTRIC RING (POLYAMIDE)																										
20	52204EB	97.5	92	50	33.3	5	25	4.5	M6x0.75	62	M16	17	76	45	34	40.9	23.9	7	44.5	54.5	9850	6580	10000	0.38	50009	50009.APE
25	52205EB	97.5	92	50	38.1	5	25	4.5	M6x0.75	62	M20	17	76	45	34	40.4	23.4	7.5	44.5	54.5	10800	7800	8500	0.40	50009	50009.APE
30	52206EB	118	104	57	44.5	6	28	4.5	M6x0.75	72	M24	18.5	89	56	37	46.2	27.7	8	51.5	61.5	15000	11300	14000	0.50	50010	50010.APE
35	52207EB	118	104	57	55.6	6.5	28	4.5	M8x1.00	72	M24	18.5	89	56	37	48.9	30.4	8.5	51.5	61.5	19700	15300	12000	0.60	50010	50010.APE
STAINLESS STEEL BEARING WITH GRUB SCREWS (POLYAMIDE)																										
20	52204E/SS	97.5	92	50	29	5	25	4.5	M6x0.75	62	M16	17	76	45	34	35.7	18.7	7	44.5	54.5	7300	4900	10000	0.30	50009	50009.APE
25	52205E/SS	97.5	92	50	34	5.5	25	4.5	M6x0.75	62	M20	17	76	45	34	36.5	19.5	7.5	44.5	54.5	8100	5800	8500	0.35	50009	50009.APE
30	52206E/SS	118	104	57	40.3	6	28	4.5	M6x0.75	72	M24	18.5	89	56	37	40.5	22	8	51.5	61.5	11250	8400	14000	0.45	50010	50010.APE
35	52207E/SS	118	104	57	48	6.5	28	4.5	M8x1.00	72	M24	18.5	89	56	37	42	23.5	8.5	51.5	61.5	14700	11400	12000	0.55	50010	50010.APE

* MAX. RADIAL LOAD CAPACITY OF HOUSING: Values indicated in the table above, are obtained at 23°C. Strength of housing indicated on [page 115](#).

UCHE-R

WATERPROOF



TECHNICAL INFORMATION for UCHE-R

- **Resistance to corrosion:**
 - Polyamide version (PA): good resistance to many corrosive chemicals such as water, oils, greases, petrol, milk, wine, alcoholic beverages.
- **High load capacity.**
- **Continuous operating temperature:**
 - All our bearings can be used at temperatures between 0°C and +80°C. For lower or higher temperatures please consult our Engineering Department.
- **Economical operation.**
 - Long life bearing insert.
- **Self-alignment:**
 - Max misalignment between shaft and housing: 2.0°.
- **Concept and design to meet all safety requirements.**
- **Ball bearing pre-lubricated with long-life grease, which is ideal in applications in humid conditions, with water, alkaline or acid solutions.**
- **Completely sealed units.**

COMPONENTS

- ① Housing in reinforced polyamide (Housing in reinforced polypropylene available on request).
- ② Adjustable chrome steel or stainless steel ball bearing, pre-lubricated. Can be re-lubricated by means of grease-nipple or a quick coupler.
- ③ Ball-type grease-nipple or quick coupler from nickel plated brass (available upon request) to take semi-rigid hoses \varnothing 4 mm in Rilsan (see accessories on [page 110](#)). Version with stainless steel bearing has a stainless steel grease nipple.
- ④ Clip-on safety cap.
- ⑥ Polyethylene washer for grease-nipple.
- ⑧ Rotary shaft seal ring with extra dust-protection lip in NBR rubber.
- ⑨ Heavy duty O-Ring in NBR rubber.
- ⑩ Threaded bush in nickel plated brass.

UCHE-R WATERPROOF

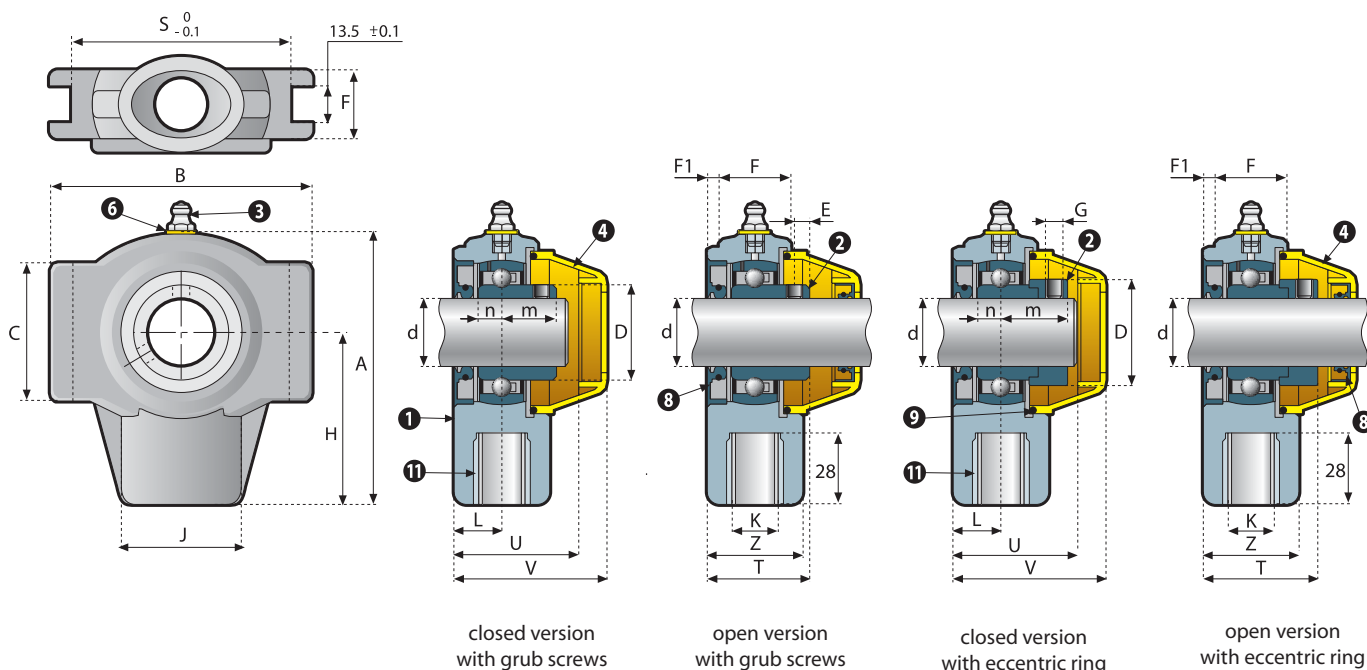
POLYAMIDE HOUSING



WATERPROOF

SEE ALSO...

- Accessories: [p. 110](#)
Features, lubrication and maintenance: [p. 112](#)
Mounting instruction: [p. 113 - 114](#)
Calculation of load capacity, bearing life: [p. 115 - 116](#)
Chemical resistance: [p. 120 - 121](#)



Preferred types, readily available (codes marked in red)

ø d mm	code version		dimension (mm)																bearing load ratings		housing load rating max. N*	weight (Kg)
	closed	open	A	B	C	D	E	F	F1	G	H	K	L	J	Z	T	m	n	U	V		

CHROME STEEL BEARING WITH GRUB SCREWS (POLYAMIDE)

20	52204ER	57204ER	97.5	65	50	29	5	25	4.5	M6x0.75	62	M16	17	45	34	35	18	7	44.5	54.5	9850	6580	10000	0.30
25	52205ER	57205ER	97.5	70	50	34	5.5	25	4.5	M6x0.75	62	M20	17	45	34	36.5	19.5	7.5	44.5	54.5	10800	7800	8500	0.35
30	52206ER	57206ER	118	85	57	40.3	6	28	4.5	M6x0.75	72	M24	18.5	56	37	40.5	22	8	51.5	61.5	15000	11300	14000	0.45
35	52207ER	57207ER	118	90	57	48	6.5	28	4.5	M8x1.00	72	M24	18.5	56	37	42	23.5	8.5	51.5	61.5	19700	15300	12000	0.55

CHROME STEEL BEARING WITH ECCENTRIC RING (POLYAMIDE)

20	52204ERB	57204ERB	97.5	65	50	33.3	5	25	4.5	M6x0.75	62	M16	17	45	34	40.9	23.9	7	44.5	54.5	9850	6580	10000	0.38
25	52205ERB	57205ERB	97.5	70	50	38.1	5	25	4.5	M6x0.75	62	M20	17	45	34	40.4	23.4	7.5	44.5	54.5	10800	7800	8500	0.40
30	52206ERB	57206ERB	118	85	57	44.5	6	28	4.5	M6x0.75	72	M24	18.5	56	37	46.2	27.7	8	51.5	61.5	15000	11300	14000	0.50
35	52207ERB	57207ERB	118	90	57	55.6	6.5	28	4.5	M8x1.00	72	M24	18.5	56	37	48.9	30.4	8.5	51.5	61.5	19700	15300	12000	0.60

* **MAX. RADIAL LOAD CAPACITY OF HOUSING:** Values indicated in the table above, are obtained at 23°C. Strength of housing indicated on [page 115](#).

STANDARD



COMPONENTS

- ❶ Housing in reinforced polyamide (Housing in reinforced polypropylene available on request).
- ❷ Adjustable chrome steel or stainless steel ball bearing, pre-lubricated. Can be re-lubricated by means of grease-nipple or a quick coupler.
- ❸ Ball-type grease-nipple or quick coupler from nickel plated brass (available upon request) to take semi-rigid hoses \varnothing 4 mm in Rilsan (see accessories on [page 110](#)). Version with stainless steel bearing has a stainless steel grease nipple.
- ❹ Clip-on safety cap (accessory).
- ❺ Spacers from nickel plated brass to reinforce fixing holes.

TECHNICAL INFORMATION for SFL

- **Resistance to corrosion:**
 - Polyamide version (PA): good resistance to many corrosive chemicals such as water, oils, greases, petrol, milk, wine, alcoholic beverages.
- **High load capacity.**
- **Continuous operating temperature:**
 - All our bearings can be used at temperatures between 0°C and +80°C. For lower or higher temperatures please consult our Engineering Department.
- **Economical operation.**
 - Long life bearing insert.
- **Self-alignment:**
 - Max misalignment between shaft and housing: 2.5°.
- **Concept and design to meet all safety requirements.**
- **Ball bearing pre-lubricated with long-life grease, which is ideal in applications in humid conditions, with water, alkaline or acid solutions.**

SFL
STANDARD

POLYAMIDE HOUSING



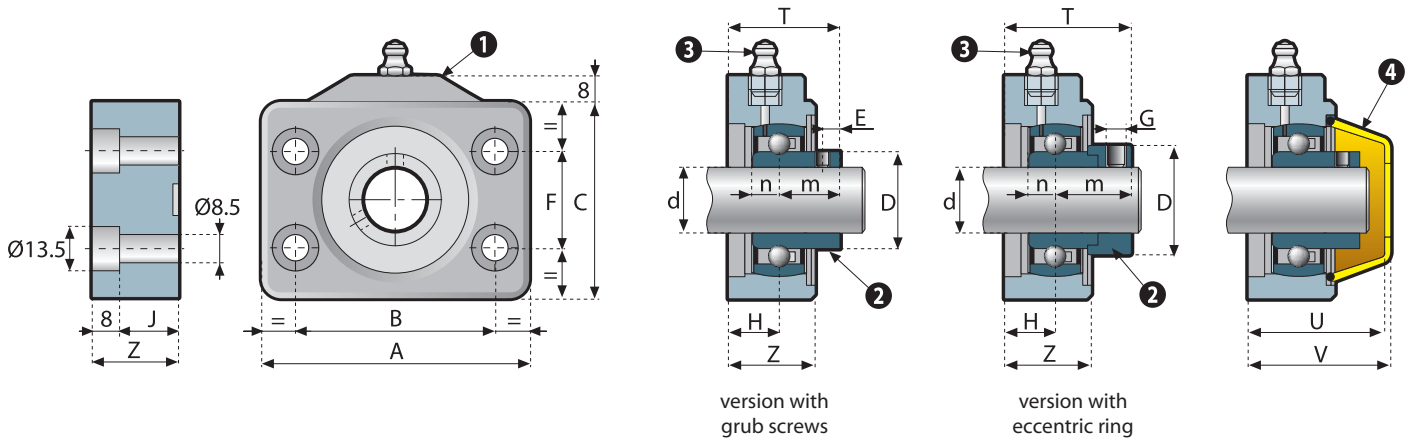
accessory

COLOUR

- Safety cap in yellow.
- For sufficient quantities parts can be produced in different colours.

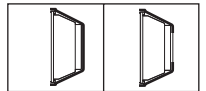
SEE ALSO...

Accessories: [p. 110](#)
 Features, lubrication and maintenance: [p. 112](#)
 Mounting instruction: [p. 113 - 114](#)
 Calculation of load capacity, bearing life: [p. 115 - 116](#)
 Chemical resistance: [p. 120 - 121](#)



Preferred types, readily available (codes marked in red)

Accessories



Ø d mm	code version	dimension (mm)														bearing load ratings		housing load rating max. N*	weight (Kg)	closed safety cap code	open safety cap code	
		A	B	C	D	E	F	G	H	J	Z	T	m	n	U	V	dynamic C (N)					static Co (N)
CHROME STEEL BEARING WITH GRUB SCREWS (POLYAMIDE)																						
12	54201S	80	60	60	24.6	4	30	M5x0.80	9	10.5	18.5	25	16	6	40	42	7300	4760	6500	0.25	50013	50013.APE
15	54202S	80	60	60	24.6	4	30	M5x0.80	9	10.5	18.5	25	16	6	40	42	7300	4760	6500	0.25	50013	50013.APE
16	54016S	80	60	60	24.6	4	30	M5x0.80	9	10.5	18.5	25	16	6	40	42	7300	4760	6500	0.25	50013	50013.APE
17	54203S	80	60	60	24.6	4	30	M5x0.80	9	10.5	18.5	25	16	6	40	42	7300	4760	6500	0.25	50013	50013.APE
20	54204S	80	60	60	29	5	30	M6x0.75	15	18	26	33	18	7	48	50	9850	6580	6200	0.30	50013	50013.APE
CHROME STEEL BEARING WITH ECCENTRIC RING (POLYAMIDE)																						
12	54201SB	80	60	60	28.6	5	30	M6x0.75	9	10.5	18.5	31.6	22.6	6	40	42	7300	4760	6500	0.28	50013	50013.APE
15	54202SB	80	60	60	28.6	5	30	M6x0.75	9	10.5	18.5	31.6	22.6	6	40	42	7300	4760	6500	0.28	50013	50013.APE
16	54016SB	80	60	60	28.6	5	30	M6x0.75	9	10.5	18.5	31.6	22.6	6	40	42	7300	4760	6500	0.28	50013	50013.APE
17	54203SB	80	60	60	28.6	5	30	M6x0.75	9	10.5	18.5	31.6	22.6	6	40	42	7300	4760	6500	0.28	50013	50013.APE
20	54204SB	80	60	60	33.3	5	30	M6x0.75	15	18	26	38.9	23.9	7	48	50	9850	6580	6200	0.35	50013	50013.APE
STAINLESS STEEL BEARING WITH GRUB SCREWS (POLYAMIDE)																						
20	54204S/SS	80	60	60	29	5	30	M6x0.75	15	18	26	33.7	18.7	7	48	50	7300	4900	6200	0.30	50013	50013.APE

* **MAX. RADIAL LOAD CAPACITY OF HOUSING:** Values indicated in the table above, are obtained at 23°C. Strength of housing indicated on page [115](#).

WATERPROOF



COMPONENTS

- ❶ Housing in reinforced polyamide (Housing in reinforced polypropylene available on request).
- ❷ Adjustable chrome steel or stainless steel ball bearing, pre-lubricated. Can be re-lubricated by means of grease-nipple or a quick coupler.
- ❸ Ball-type grease-nipple or quick coupler from nickel plated brass (available upon request) to take semi-rigid hoses \varnothing 4 mm in Rilsan (see accessories on [page 110](#)). Version with stainless steel bearing has a stainless steel grease nipple.
- ❹ Clip-on safety cap.
- ❸ Rotary shaft seal ring with extra dust-protection lip in NBR rubber.
- ❹ Heavy duty O-Ring in NBR rubber.

TECHNICAL INFORMATION for SFL-Z

- **Resistance to corrosion:**
 - Polyamide version (PA): good resistance to many corrosive chemicals such as water, oils, greases, petrol, milk, wine, alcoholic beverages.
- **High load capacity.**
- **Continuous operating temperature:**
 - All our bearings can be used at temperatures between 0°C and +80°C. For lower or higher temperatures please consult our Engineering Department.
- **Economical operation.**
 - Long life bearing insert.
- **Self-alignment:**
 - Max misalignment between shaft and housing: 2.0°.
- **Concept and design to meet all safety requirements.**
- **Ball bearing pre-lubricated with long-life grease, which is ideal in applications in humid conditions, with water, alkaline or acid solutions.**
- **Completely sealed units**

SFL-Z WATERPROOF

POLYAMIDE HOUSING



WATERPROOF

SEE ALSO...

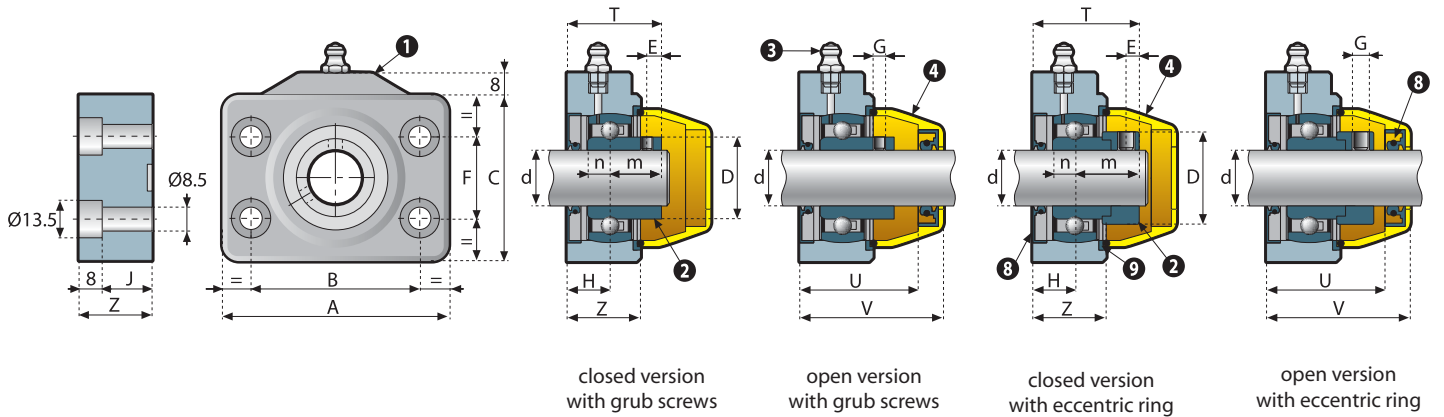
Accessories: [p. 110](#)

Features, lubrication and maintenance: [p. 112](#)

Mounting instruction: [p. 113 - 114](#)

Calculation of load capacity, bearing life: [p. 115 - 116](#)

Chemical resistance: [p. 120 - 121](#)



Ø d mm	code version		dimension (mm)														bearing load ratings		housing load rating max. N*	weight (Kg)
	closed	open	A	B	C	D	E	F	G	H	J	Z	T	m	n	U	V	dynamic C (N)		

CHROME STEEL BEARING WITH GRUB SCREWS (POLYAMIDE)

12	54201SZ	59201SZ	80	60	60	24.6	4	30	M5x0.80	16.5	18	26	32.5	16	6	41	50	7300	4760	6500	0.25
15	54202SZ	59202SZ	80	60	60	24.6	4	30	M5x0.80	16.5	18	26	32.5	16	6	41	50	7300	4760	6500	0.25
16	54016SZ	592016SZ	80	60	60	24.6	4	30	M5x0.80	16.5	18	26	32.5	16	6	41	50	7300	4760	6500	0.25
17	54203SZ	59203SZ	80	60	60	24.6	4	30	M5x0.80	16.5	18	26	32.5	16	6	41	50	7300	4760	6500	0.25
20	54204SZ	59204SZ	80	60	60	29	5	30	M6x0.75	15	18	26	33	18	7	41	50	9850	6580	6200	0.30

CHROME STEEL BEARING WITH ECCENTRIC RING (POLYAMIDE)

12	54201SZB	59201SZB	80	60	60	28.6	5	30	M6x0.75	16.5	18	26	31.6	22.6	6	41	50	7300	4760	6500	0.30
15	54202SZB	59202SZB	80	60	60	28.6	5	30	M6x0.75	16.5	18	26	31.6	22.6	6	41	50	7300	4760	6500	0.30
16	54016SZB	59016SZB	80	60	60	28.6	5	30	M6x0.75	16.5	18	26	31.6	22.6	6	41	50	7300	4760	6500	0.30
17	54203SZB	59203SZB	80	60	60	28.6	5	30	M6x0.75	16.5	18	26	31.6	22.6	6	41	50	7300	4760	6500	0.30
20	54204SZB	59204SZB	80	60	60	33.3	5	30	M6x0.75	15	18	26	38.9	23.9	7	41	50	9850	6580	6200	0.35

* **MAX. RADIAL LOAD CAPACITY OF HOUSING:** Values indicated in the table above, are obtained at 23°C. Strength of housing indicated on [page 115](#).

SQL right-left

STANDARD



COMPONENTS

- 1 Housing in reinforced polyamide (Housing in reinforced polypropylene available on request).
- 2 Adjustable chrome steel or stainless steel ball bearing, pre-lubricated. Can be re-lubricated by means of grease-nipple or a quick coupler.
- 3 Ball-type grease-nipple or quick coupler from nickel plated brass (available upon request) to take semi-rigid hoses \varnothing 4 mm in Rilsan (see accessories on [page 110](#)). Version with stainless steel bearing has a stainless steel grease nipple.
- 4 Clip-on safety cap (accessory).
- 5 Spacers from nickel plated brass to reinforce fixing holes.

TECHNICAL INFORMATION for SQL left-right

- **Resistance to corrosion:**
 - Polyamide version (PA): good resistance to many corrosive chemicals such as water, oils, greases, petrol, milk, wine, alcoholic beverages.
- **High load capacity.**
- **Continuous operating temperature:**
 - All our bearings can be used at temperatures between 0°C and +80°C. For lower or higher temperatures please consult our Engineering Department.
- **Self-alignment:**
 - Max misalignment between shaft and housing: 2.5°.
- **Low maintenance and trouble-free operation.**
- **Easy Cleaning.**
- **Ball bearing pre-lubricated with long-life grease, which is ideal in applications in humid conditions, with water, alkaline or acid solutions.**
- **Concept and design to meet all safety requirements.**
- **Interchangeable with standard cast iron flanged supports.**
- **Application in the food, beverage and pharmaceutical industry.**

SQL right STANDARD

POLYAMIDE HOUSING



accessory

COLOUR

- Safety cap in yellow.
- Internal housing in black.
- For sufficient quantities parts can be produced in different colours.

SQL left STANDARD

POLYAMIDE HOUSING



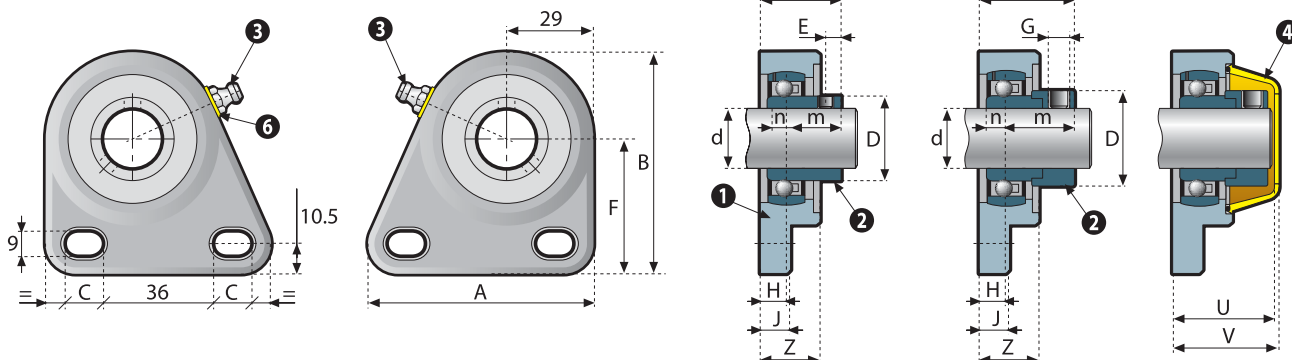
accessory

COLOUR

- Safety cap in yellow.
- Internal housing in black.
- For sufficient quantities parts can be produced in different colours.

SEE ALSO...

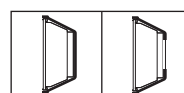
Accessories: [p. 110](#)
Features, lubrication and maintenance: [p. 112](#)
Mounting instruction: [p. 113 - 114](#)
Calculation of load capacity, bearing life: [p. 115 - 116](#)
Chemical resistance: [p. 120 - 121](#)



version with grub screws

version with eccentric ring

Accessories



Preferred types, readily available (codes marked in red)

Ø d mm	code version	dimension (mm)														bearing load ratings		housing load rating max.N*	weight (Kg)	closed safety cap code	open safety cap code	
		A	B	C	D	E	F	G	H	J	Z	T	m	n	U	V	dynamic C (N)					static Co (N)
CHROME STEEL BEARING WITH GRUB SCREWS (POLYAMIDE) - RIGHT VERSION																						
12	54201ND	75	75.5	14	24.6	4	46.5	M5x0.80	10.5	10	20	26.5	16	6	41.5	43.5	7300	4760	6000	0.20	50013	50013.APE
15	54202ND	75	75.5	14	24.6	4	46.5	M5x0.80	10.5	10	20	26.5	16	6	41.5	43.5	7300	4760	6000	0.20	50013	50013.APE
16	54016ND	75	75.5	14	24.6	4	46.5	M5x0.80	10.5	10	20	26.5	16	6	41.5	43.5	7300	4760	6000	0.20	50013	50013.APE
17	54203ND	75	75.5	14	24.6	4	46.5	M5x0.80	10.5	10	20	26.5	16	6	41.5	43.5	7300	4760	6000	0.20	50013	50013.APE
20	54204ND	75	75.5	14	29	5	46.5	M6x0.75	9	10	20	27	18	7	41.5	43.5	9850	6580	5700	0.25	50013	50013.APE
CHROME STEEL BEARING WITH ECCENTRIC RING (POLYAMIDE) - RIGHT VERSION																						
12	54201NDB	75	75.5	14	28.6	5	46.5	M6x0.75	10.5	10	20	33.1	22.6	6	41.5	43.5	7300	4760	6000	0.23	50013	50013.APE
15	54202NDB	75	75.5	14	28.6	5	46.5	M6x0.75	10.5	10	20	33.1	22.6	6	41.5	43.5	7300	4760	6000	0.23	50013	50013.APE
16	54016NDB	75	75.5	14	28.6	5	46.5	M6x0.75	10.5	10	20	33.1	22.6	6	41.5	43.5	7300	4760	6000	0.23	50013	50013.APE
17	54203NDB	75	75.5	14	28.6	5	46.5	M6x0.75	10.5	10	20	33.1	22.6	6	41.5	43.5	7300	4760	6000	0.23	50013	50013.APE
20	54204NDB	75	75.5	14	33.3	5	46.5	M6x0.75	9	10	20	32.9	23.9	7	41.5	43.5	9850	6580	5700	0.28	50013	50013.APE
STAINLESS STEEL BEARING WITH GRUB SCREWS (POLYAMIDE) - RIGHT VERSION																						
20	54204ND/SS	75	75.5	14	29	5	46.5	M6x0.75	9	10	20	27.7	18.7	7	41.5	43.5	7300	4900	5700	0.25	50013	50013.APE

* **MAX. RADIAL LOAD CAPACITY OF HOUSING:** Values indicated in the table above, are obtained at 23°C. Strength of housing indicated on page 115.

Ø d mm	code version	dimension (mm)														bearing load ratings		housing load rating max.N*	weight (Kg)	closed safety cap code	open safety cap code	
		A	B	C	D	E	F	G	H	J	Z	T	m	n	U	V	dynamic C (N)					static Co (N)
CHROME STEEL BEARING WITH GRUB SCREWS (POLYAMIDE) - LEFT VERSION																						
12	54201NS	75	75.5	14	24.6	4	46.5	M5x0.80	10.5	10	20	26.5	16	6	41.5	43.5	7300	4760	6000	0.20	50013	50013.APE
15	54202NS	75	75.5	14	24.6	4	46.5	M5x0.80	10.5	10	20	26.5	16	6	41.5	43.5	7300	4760	6000	0.20	50013	50013.APE
16	54016NS	75	75.5	14	24.6	4	46.5	M5x0.80	10.5	10	20	26.5	16	6	41.5	43.5	7300	4760	6000	0.20	50013	50013.APE
17	54203NS	75	75.5	14	24.6	4	46.5	M5x0.80	10.5	10	20	26.5	16	6	41.5	43.5	7300	4760	6000	0.20	50013	50013.APE
20	54204NS	75	75.5	14	29	5	46.5	M6x0.75	9	10	20	27	18	7	41.5	43.5	9850	6580	5700	0.25	50013	50013.APE
CHROME STEEL BEARING WITH ECCENTRIC RING (POLYAMIDE) - LEFT VERSION																						
12	54201NSB	75	75.5	14	28.6	5	46.5	M6x0.75	10.5	10	20	33.1	22.6	6	41.5	43.5	7300	4760	6000	0.23	50013	50013.APE
15	54202NSB	75	75.5	14	28.6	5	46.5	M6x0.75	10.5	10	20	33.1	22.6	6	41.5	43.5	7300	4760	6000	0.23	50013	50013.APE
16	54016NSB	75	75.5	14	28.6	5	46.5	M6x0.75	10.5	10	20	33.1	22.6	6	41.5	43.5	7300	4760	6000	0.23	50013	50013.APE
17	54203NSB	75	75.5	14	28.6	5	46.5	M6x0.75	10.5	10	20	33.1	22.6	6	41.5	43.5	7300	4760	6000	0.23	50013	50013.APE
20	54204NSB	75	75.5	14	33.3	5	46.5	M6x0.75	9	10	20	32.9	23.9	7	41.5	43.5	9850	6580	5700	0.28	50013	50013.APE
STAINLESS STEEL BEARING WITH GRUB SCREWS (POLYAMIDE) - LEFT VERSION																						
20	54204NS/SS	75	75.5	14	29	5	46.5	M6x0.75	9	10	20	27.7	18.7	7	41.5	43.5	7300	4900	5700	0.25	50013	50013.APE

* **MAX. RADIAL LOAD CAPACITY OF HOUSING:** Values indicated in the table above, are obtained at 23°C. Strength of housing indicated on page 115.

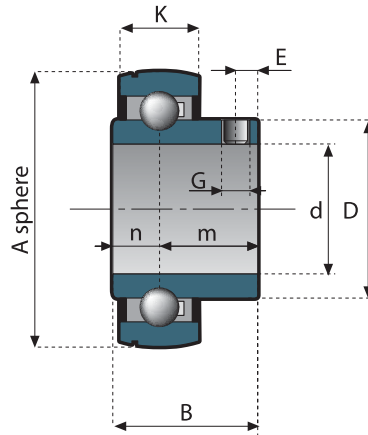


System Plast

**BALL BEARING,
SAFETY CAP &
ACCESSORIES**

BALL BEARING with grub screws

standard



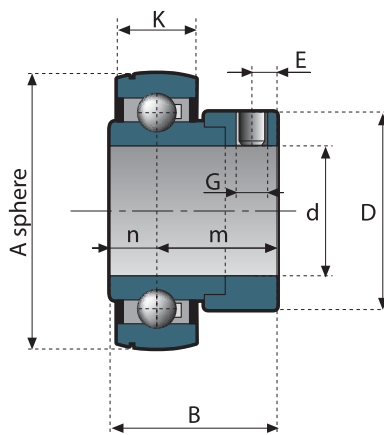
MATERIAL

- Rings and balls in chrome steel.
- Grub screws and protection rings are in steel.
- Seals in metal with vulcanised NBR rubber.

Ø d mm	code	dimension (mm)								bearing load ratings		weight (Kg)
		A	B	K	D	E	G	m	n	dynamic C (N)	static Co (N)	
12	83438	40	22	12	24.6	4	M5	16	6	7300	4760	0.15
15	83439	40	22	12	24.6	4	M5	16	6	7300	4760	0.15
16	83440	40	22	12	24.6	4	M5	16	6	7300	4760	0.15
17	83441	40	22	12	24.6	4	M5	16	6	7300	4760	0.15
20	83219	47	25	14	29	5	M6	18	7	9850	6580	0.18
25	83224	52	27	15	34	5.5	M6	19.5	7.5	10800	7800	0.22
30	83225	62	30	16	40.3	6	M6	22	8	15000	11300	0.40
35	83226	72	32	17	48	6.5	M8	23.5	8.5	19700	15300	0.45
40	83227	80	34	18	53	7	M8	25	9	22400	17900	0.62

BALL BEARING with eccentric ring

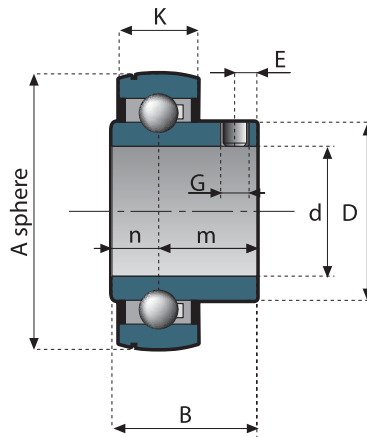
standard



MATERIAL

- Rings and balls in chrome steel.
- Grub screws and protection rings are in steel.
- Seals in metal with vulcanised NBR rubber.

Ø d mm	code	dimension (mm)								bearing load ratings		weight (Kg)
		A	B	K	D	E	G	m	n	dynamic C (N)	static Co (N)	
12	83442	40	28.6	12	28.6	5	M6	22.6	6	7300	4760	0.21
15	83443	40	28.6	12	28.6	5	M6	22.6	6	7300	4760	0.21
16	83444	40	28.6	12	28.6	5	M6	22.6	6	7300	4760	0.21
17	83445	40	28.6	12	28.6	5	M6	22.6	6	7300	4760	0.21
20	83218	47	30.9	14	33.3	5	M6	23.9	7	9850	6580	0.25
25	83220	52	30.9	15	38.1	5	M6	23.4	7.5	10800	7800	0.30
30	83221	62	35.7	16	44.5	6	M6	27.7	8	15000	11300	0.48
35	83222	72	38.9	17	55.6	6.5	M8	30.4	8.5	19700	15300	0.53
40	83223	80	43.7	18	60.3	6.5	M8	34.7	9	22400	17900	0.70



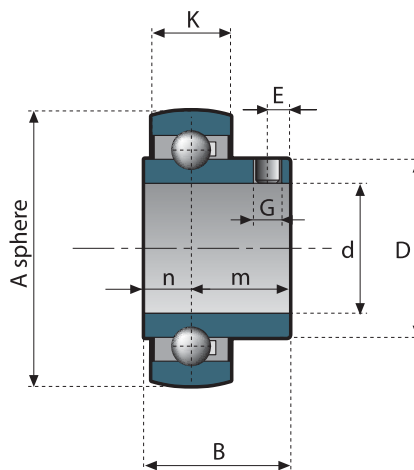
MATERIAL

- Rings and balls in stainless steel with Cr+Mo to increase corrosion resistance.
- Grub screws and protection rings are in stainless steel.

USE

- Where a high resistance to corrosion is required.

Ø d mm	code	dimension (mm)								bearing load ratings		weight (Kg)
		A	B	K	D	E	G	m	n	dynamic C (N)	static Cao (N)	
20	83263	47	25.7	14	29	5	M6	18.7	7	7300	4900	0.18
25	83232	52	27	15	34	5.5	M6	19.5	7.5	8100	5800	0.22
30	83233	62	30	16	40.3	6	M6	22	8	11250	8400	0.40
35	83234	72	32	17	48	6.5	M8	23.5	8.5	14700	11400	0.45
40	83235	80	34	18	53	7	M8	25	9	16800	13400	0.62



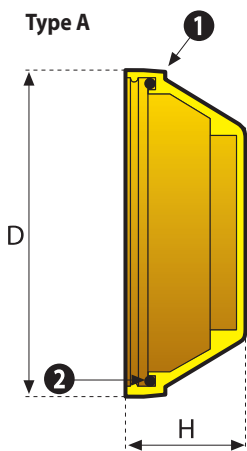
MATERIAL

- Rings and balls in chrome steel.
- Grub screws and protection rings are in steel.
- Seals in metal with vulcanised NBR rubber.



**MAINTENANCE
FREE**

Ø d mm	code	dimension (mm)								bearing load ratings		weight (Kg)
		A	B	K	D	E	G	m	n	dynamic C (N)	static Co (N)	
20	83955	47	25	14	29	5	M6	18	7	9850	6580	0.18
25	83956	52	27	15	34	5.5	M6	19.5	7.5	10800	7800	0.22
30	83929	62	30	16	40.3	6	M6	22	8	15000	11300	0.40
35	83957	72	32	17	48	6.5	M8	23.5	8.5	19700	15300	0.45
40	83930	80	34	18	53	7	M8	25	9	22400	17900	0.62



Clip-on safety cap (closed version)

COMPONENTS

- ① Clip-on safety cap in polypropylene.
- ② Heavy duty O-Ring in NBR rubber.

COLOUR

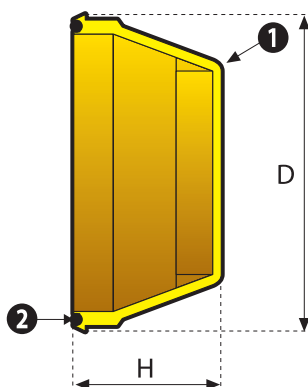
- Safety cap in yellow.
- For sufficient quantities parts can be produced in different colors or in transparent.

SAFETY CAP CODE	TYPE	D mm	H mm
50100	A	80	29.5
50101	A	96	40
50102	A	71	34.5
50103	A	87.5	40.5
50104	A	62	30
50105	A	56	29.5
50106	B	58.5	28
50107	B	76	32
50108	A	69.5	32
50109	B	50	26.5
50110	B	84	28
50111	B	42	19
50112	B	67.5	32

support code	SAFETY CAP CODE	support code	SAFETY CAP CODE	support code	SAFETY CAP CODE	support code	SAFETY CAP CODE
50016VR	50111	50206WB	50102	51208FR	50103	53207RB	50107
50016VRB	50111	50206X	50101	51208FRB	50103	53208RB	50110
50016VRB-EC	50105	50206XB	50101	51208SR	50103	53208RB	50110
50016VR-EC	50105	50206Y	50103	51208SRB	50103	54016NR	50111
50201VR	50111	50206YB	50103	52204AR	50106	54016NRB	50111
50201VRB	50111	50207CLBR	50101	52204ARB	50106	54016NRB-EC	50105
50201VRB-EC	50105	50207CLR	50101	52204ER	50106	54016NR-EC	50105
50201VR-EC	50105	50207CLRL	50101	52204ERB	50106	54016SZ	50109
50202VR	50111	50207CLRS	50101	52204TR	50106	54016SZB	50109
50202VRB	50111	50207CSBR	50101	52204TRB	50106	54016Z	50105
50202VRB-EC	50105	50207CSR	50101	52205AR	50106	54016ZB	50105
50202VR-EC	50105	50207CSRL	50101	52205ARB	50106	54201NR	50111
50203VR	50111	50207CSRS	50101	52205ER	50106	54201NRB	50111
50203VRB	50111	50207M	50101	52205ERB	50106	54201NRB-EC	50105
50203VRB-EC	50105	50207MB	50101	52205FR	50106	54201NR-EC	50105
50203VR-EC	50105	50207N	50101	52205FRA	50109	54201SZ	50109
50204AR	50102	50207NB	50101	52205FRB	50106	54201SZB	50109
50204ARB	50102	50207R	50101	52205FRBA	50109	54201Z	50105
50204SR	50102	50207RB	50101	52205GR	50106	54201ZB	50105
50204SRB	50102	50207VR	50107	52205GRB	50106	54202NR	50111
50204VR	50109	50207VRB	50107	52205TR	50106	54202NRB	50111
50204VRB	50109	50207VRB-EC	50103	52205TRB	50106	54202NRB-EC	50105
50204VRB-EC	50104	50207VR-EC	50103	52206AR	50107	54202NR-EC	50105
50204VR-EC	50104	50207X	50101	52206ARB	50107	54202SZ	50109
50204W	50102	50207XB	50101	52206ER	50107	54202SZB	50109
50204WB	50102	50207Y	50103	52206ERB	50107	54202Z	50105
50205AR	50102	50207YB	50103	52206FR	50107	54202ZB	50105
50205ARB	50102	50208/OH	50103	52206FRA	50107	54203NR	50111
50205AW	50102	50208CLBR	50101	52206FRB	50107	54203NRB	50111
50205AWB	50102	50208CLBRL	50101	52206FRBA	50107	54203NRB-EC	50105
50205R	50100	50208CLR	50101	52206GRB	50112	54203NR-EC	50105
50205RB	50100	50208CLRL	50101	52206GR	50112	54203SZ	50109
50205SR	50102	50208CLRS	50101	52206TR	50107	54203SZB	50109
50205SRB	50102	50208CSBR	50101	52206TRB	50107	54203Z	50105
50205VR	50106	50208CSBRL	50101	52207AR	50107	54203ZB	50105
50205VRB	50106	50208CSR	50101	52207ARB	50107	54204NR	50109
50205VRB-EC	50108	50208CSRL	50101	52207ER	50107	54204NRB	50109
50205VR-EC	50108	50208CSRS	50101	52207ERB	50107	54204NRB-EC	50104
50205W	50102	50208FR	50101	52207GR	50107	54204NR-EC	50104
50205WB	50102	50208FRB	50101	52207GRB	50107	54204SZ	50109
50206/OH	50103	50208FRL	50101	52207TR	50107	54204SZB	50109
50206AW	50102	50208M	50101	52207TRB	50107	54204Z	50105
50206AWB	50102	50208MB	50101	53016R	50109	54204ZB	50105
50206CLBR	50101	50208N	50101	53016RB	50109	54205NR	50106
50206CLR	50101	50208NB	50101	53201R	50109	54205NRB	50106
50206CLRL	50101	50208NL	50101	53201RB	50109	54205NRB-EC	50108
50206CLRS	50101	50208R	50101	53202R	50109	54205NR-EC	50108
50206CSBR	50101	50208RB	50101	53202RB	50109	54206NR	50107
50206CSR	50101	50208RL	50101	53203R	50109	54206NRB	50107
50206CSRL	50101	50208SR	50103	53203RB	50109	54206NRB-EC	50100
50206CSRS	50101	50208SRL	50103	53204AR	50105	54206NR-EC	50100
50206R	50100	50208VR	50110	53204ARB	50105	54206NRL	50107
50206RB	50100	50208VRB	50110	53204R	50109	54206NRL-EC	50100
50206RL	50100	50208VRB-EC	50101	53204RB	50109	54207NR	50107
50206SR	50103	50208VR-EC	50101	53205AR	50104	54207NRB	50107
50206SRL	50103	50208VRL	50110	53205ARB	50104	54207NRB-EC	50103
50206VR	50107	50208VRL-EC	50101	53205R	50106	54207NR-EC	50103
50206VRB	50107	50208X	50101	53205RB	50106	54208NR	50110
50206VRB-EC	50100	50208XB	50101	53206AR	50102	54208NRB	50110
50206VR-EC	50100	51206FR	50108	53206ARB	50102	54208NRB-EC	50101
50206VRL	50107	51206FRB	50108	53206R	50107	54208NR-EC	50101
50206VRL-EC	50100	51206SR	50108	53206RB	50107	54208NRL	50110
50206W	50102	51206SRB	50108	53207R	50107	54208NRL-EC	50101



Type B



Clip-on safety cap (closed version)

COMPONENTS

- ❶ Clip-on safety cap in polypropylene.
- ❷ Heavy duty O-Ring in VITON.

COLOUR

- Safety cap in yellow.
- For sufficient quantities parts can be produced in different colors or in transparent.

support code	SAFETY CAP CODE	support code	SAFETY CAP CODE	support code	SAFETY CAP CODE	support code	SAFETY CAP CODE
60204AR	60102	60207MB	60101	62205AR	60106	63205ARB	60104
60204ARB	60102	60207N	60101	62205ARB	60106	63205R	60106
60204SR	60102	60207NB	60101	62205ER	60106	63205RB	60106
60204SRB	60102	60207R	60101	62205ERB	60106	63206AR	60102
60204W	60102	60207RB	60101	62205TR	60106	63206ARB	60102
60204WB	60102	60207X	60101	62205TRB	60106	63206R	60107
60205AR	60102	60207XB	60101	62206AR	60107	63206RB	60107
60205ARB	60102	60207Y	60103	62206ARB	60107	63207R	60107
60205AW	60102	60207YB	60103	62206ER	60107	63207RB	60107
60205AWB	60102	60208/OH	60103	62206ERB	60107	63208R	60110
60205R	60100	60208FR	60101	62206TR	60107	63208RB	60110
60205RB	60100	60208FRB	60101	62206TRB	60107	64016SZ	60109
60205SR	60102	60208FRL	60101	62207AR	60107	64016SZB	60109
60205SRB	60102	60208M	60101	62207ARB	60107	64016Z	60105
60205W	60102	60208MB	60101	62207ER	60107	64016ZB	60105
60205WB	60102	60208N	60101	62207ERB	60107	64201SZ	60109
60206/OH	60103	60208NB	60101	62207TR	60107	64201SZB	60109
60206AW	60102	60208NL	60101	62207TRB	60107	64201Z	60105
60206AWB	60102	60208R	60101	63016R	60109	64201ZB	60105
60206R	60100	60208RB	60101	63016RB	60109	64202SZ	60109
60206RB	60100	60208RL	60101	63201R	60109	64202SZB	60109
60206RL	60100	60208SR	60103	63201RB	60109	64202Z	60105
60206SR	60103	60208SRL	60103	63202R	60109	64202ZB	60105
60206SRL	60103	60208X	60101	63202RB	60109	64203SZ	60109
60206W	60102	60208XB	60101	63203R	60109	64203SZB	60109
60206WB	60102	62204AR	60106	63203RB	60109	64203Z	60105
60206X	60101	62204ARB	60106	63204AR	60105	64203ZB	60105
60206XB	60101	62204ER	60106	63204ARB	60105	64204SZ	60109
60206Y	60103	62204ERB	60106	63204R	60109	64204SZB	60109
60206YB	60103	62204TR	60106	63204RB	60109	64204Z	60105
60207M	60101	62204TRB	60106	63205AR	60104	64204ZB	601050

SAFETY CAP CODE	TYPE	D mm	H mm
60100	A	80	29.5
60101	A	96	44
60102	A	71	34.5
60103	A	87.5	40.5
60104	A	62	30.5
60105	A	56	29.5
60106	B	58.5	28
60107	B	76	32
60109	B	50	26.5
60110	B	84	28

SAFETY CAP

open version for polyamide housings



Clip-on safety cap (open version)

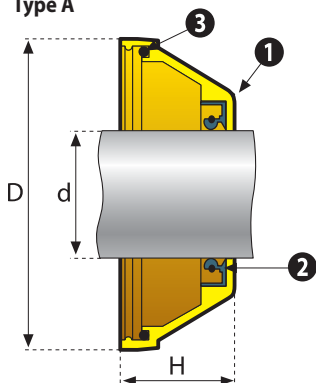
COMPONENTS

- 1 Clip-on safety cap in polypropylene.
- 2 Rotary shaft seal ring with extra dust protection lip in NBR rubber.
- 3 Heavy duty O-Ring in NBR rubber.

COLOUR

- Safety cap in yellow.
- For sufficient quantities parts can be produced in different colors or in transparent.

Type A



SAFETY CAP CODE	TYPE	D mm	d mm	H mm
50051	A	80	25	29.5
50052	A	80	30	29.5
50053	A	96	30	40
50054	A	96	35	40
50055	A	96	40	40
50056	A	71	20	34.5
50057	A	71	25	34.5
50058	A	71	30	34.5
50059	A	87.5	30	40.5
50060	A	87.5	35	40.5
50061	A	62	25	30
50062	A	56	20	29.5
50063	A	87.5	40	40.5
50064	A	56	12	29.5
50065	A	56	15	29.5
50066	A	56	16	29.5
50067	A	56	17	29.5
50068	A	62	20	30
50069	A	69.5	25	32
50072	A	58.5	20	28
50073	B	58.5	25	28
50074	B	76	30	32
50075	B	76	35	32
50076	A	69.5	30	32
50077	B	50	12	26.5
50078	B	50	15	26.5
50079	B	50	16	26.5
50080	B	50	17	26.5
50081	B	50	20	26.5
50082	B	84	40	28
50083	B	42	12	26
50084	B	42	15	26
50085	B	42	16	26
50086	B	42	17	26
50087	B	67.5	30	32
50088	B	76	25	32

support code	SAFETY CAP CODE	support code	SAFETY CAP CODE	support code	SAFETY CAP CODE	support code	SAFETY CAP CODE
55016VR	50085	55206X	50053	56208FR	50063	59016NR	50085
55016VRB	50085	55206XB	50053	56208FRB	50063	59016NRB	50085
55016VRB-EC	50066	55206Y	50059	56208SR	50063	59016NRB-EC	50066
55016VR-EC	50066	55206YB	50059	56208SRB	50063	59016NR-EC	50066
55201VR	50083	55207CLBR	50054	57204AR	50072	59016SZ	50079
55201VRB	50083	55207CLR	50054	57204ARB	50072	59016SZB	50079
55201VRB-EC	50064	55207CLRL	50054	57204ER	50072	59016Z	50066
55201VR-EC	50064	55207CLRS	50054	57204ERB	50072	59016ZB	50066
55202VR	50084	55207CSBR	50054	57204TR	50072	59201NR	50083
55202VRB	50084	55207CSR	50054	57204TRB	50072	59201NRB	50083
55202VRB-EC	50065	55207CSRL	50054	57205AR	50073	59201NRB-EC	50064
55202VR-EC	50065	55207CSRS	50054	57205ARB	50073	59201NR-EC	50064
55203VR	50086	55207M	50054	57205ER	50073	59201SZ	50077
55203VRB	50086	55207MB	50054	57205ERB	50073	59201SZB	50077
55203VRB-EC	50067	55207N	50054	57205FR	50073	59201Z	50064
55203VR-EC	50067	55207NB	50054	57205FRA	50081	59201ZB	50064
55204AR	50056	55207R	50054	57205FRB	50073	59202NR	50084
55204ARB	50056	55207RB	50054	57205FRBA	50081	59202NRB	50084
55204SR	50056	55207VR	50075	57205GR	50073	59202NRB-EC	50065
55204SRB	50056	55207VRB	50075	57205TR	50073	59202NR-EC	50065
55204VR	50081	55207VRB-EC	50060	57205TRB	50073	59202SZ	50078
55204VRB	50081	55207VR-EC	50060	57206AR	50074	59202SZB	50078
55204VRB-EC	50068	55207X	50054	57206ARB	50074	59202Z	50065
55204VR-EC	50068	55207XB	50054	57206ER	50074	59202ZB	50065
55204W	50056	55207Y	50060	57206ERB	50074	59203NR	50086
55204WB	50056	55207YB	50060	57206FR	50074	59203NRB	50086
55205AR	50057	55208/OH	50063	57206FRA	50088	59203NRB-EC	50067
55205ARB	50057	55208CLBR	50055	57206FRB	50074	59203NR-EC	50067
55205AW	50057	55208CLBRL	50055	57206FRBA	50088	59203SZ	50080
55205AWB	50057	55208CLR	50055	57206GR	50087	59203SZB	50080
55205R	50051	55208CLRL	50055	57206GRB	50087	59203Z	50067
55205RB	50051	55208CLRS	50055	57206TR	50074	59203ZB	50067
55205SR	50057	55208CSBR	50055	57206TRB	50074	59204HR	50081
55205SRB	50057	55208CSBRL	50055	57207AR	50075	59204HRB	50081
55205VR	50073	55208CSR	50055	57207ARB	50075	59204NR	50081
55205VRB	50073	55208CSRL	50055	57207ER	50075	59204NRB	50081
55205VRB-EC	50069	55208CSRS	50055	57207ERB	50075	59204NRB-EC	50068
55205VR-EC	50069	55208FR	50055	57207GR	50075	59204NR-EC	50068
55205W	50057	55208FRB	50055	57207GRB	50075	59204SZ	50081
55205WB	50057	55208FRL	50055	57207GRB	50073	59204SZB	50081
55206/OH	50059	55208M	50055	57207TR	50075	59204Z	50062
55206AW	50058	55208MB	50055	57207TRB	50075	59204ZB	50062
55206AWB	50058	55208N	50055	58016R	50079	59205NR	50073
55206CLBR	50053	55208NB	50055	58016RB	50079	59205NRB	50073
55206CLRL	50053	55208NL	50055	58201R	50077	59205NRB-EC	50069
55206CLRS	50053	55208QR	50082	58201RB	50077	59205NR-EC	50069
55206CRL	50053	55208QRB	50082	58202R	50078	59206NR	50074
55206CSBR	50053	55208R	50055	58202RB	50078	59206NRB	50074
55206CSR	50053	55208RB	50055	58203R	50080	59206NRB-EC	50052
55206CSRL	50053	55208RL	50055	58203RB	50080	59206NR-EC	50052
55206CSRS	50053	55208SR	50063	58204AR	50062	59206NRL	50074
55206R	50052	55208SRL	50063	58204ARB	50062	59206NRL-EC	50052
55206RB	50052	55208VR	50082	58204R	50081	59207NR	50075
55206RL	50052	55208VRB	50082	58204RB	50081	59207NRB	50075
55206SR	50059	55208VRB-EC	50055	58205AR	50061	59207NRB-EC	50060
55206SRL	50059	55208VR-EC	50055	58205ARB	50061	59207NR-EC	50060
55206VR	50074	55208VRL	50082	58206AR	50058	59208NR	50082
55206VRB	50074	55208VRL-EC	50055	58206ARB	50058	59208NRB	50082
55206VRB-EC	50052	55208X	50055	58206R	50074	59208NRB-EC	50055
55206VR-EC	50052	55208XB	50055	58206RB	50074	59208NR-EC	50055
55206VRL	50074	56206FR	50076	58207R	50075	-	-
55206VRL-EC	50052	56206FRB	50076	58207RB	50075	-	-
55206W	50058	56206SR	50076	58208R	50082	-	-
55206WB	50058	56206SRB	50076	58208RB	50082	-	-



Clip-on safety cap (open version)

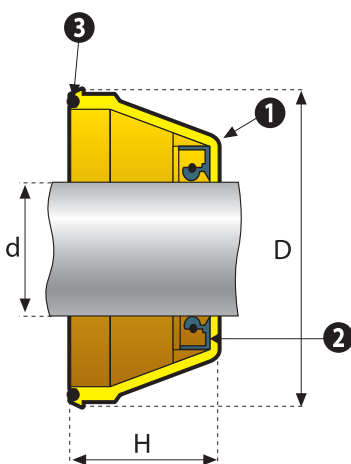
COMPONENTS

- ❶ Clip-on safety cap in polypropylene.
- ❷ Rotary shaft seal ring with extra dust protection lip in VITON.
- ❸ Heavy duty O-Ring in VITON.

COLOUR

- Safety cap in yellow.
- For sufficient quantities parts can be produced in different colors or in transparent.

Type B



SAFETY CAP CODE	TYPE	D mm	d mm	H mm
60051	A	80	25	29.5
60052	A	80	30	29.5
60053	A	96	30	44
60054	A	96	35	44
60055	A	96	40	44
60056	A	71	20	34.5
60057	A	71	25	34.5
60058	A	71	30	34.5
60059	A	87.5	30	40.5
60060	A	87.5	35	40.5
60061	A	62	25	30.5
60062	A	56	20	29.5
60063	A	87.5	40	40.5
60064	A	56	12	29.5
60065	A	56	15	29.5
60066	A	56	16	29.5
60067	A	56	17	29.5
60072	B	58.5	20	28
60073	B	58.5	25	28
60074	B	76	30	32
60075	B	76	35	32
60077	B	50	12	26.5
60078	B	50	15	26.5
60079	B	50	16	26.5
60080	B	50	17	26.5
60081	B	50	20	26.5
60082	B	84	40	28

support code	SAFETY CAP CODE	support code	SAFETY CAP CODE	support code	SAFETY CAP CODE	support code	SAFETY CAP CODE
65204AR	60056	65207MB	60054	67205AR	60073	68205ARB	60061
65204ARB	60056	65207N	60054	67205ARB	60073	68205R	60073
65204SR	60056	65207NB	60054	67205ER	60073	68205RB	60073
65204SRB	60056	65207R	60054	67205ERB	60073	68206AR	60058
65204W	60056	65207RB	60054	67205TR	60073	68206ARB	60058
65204WB	60056	65207X	60054	67205TRB	60073	68206R	60074
65205AR	60057	65207XB	60054	67206AR	60074	68206RB	60074
65205ARB	60057	65207Y	60060	67206ARB	60074	68207R	60075
65205AW	60057	65207YB	60060	67206ER	60074	68207RB	60075
65205AWB	60057	65208/OH	60063	67206ERB	60074	68208R	60082
65205R	60051	65208FR	60055	67206TR	60074	68208RB	60082
65205RB	60051	65208FRB	60055	67206TRB	60074	69016SZ	60078
65205SR	60057	65208FRL	60055	67207AR	60075	69016SZB	60079
65205SRB	60057	65208M	60055	67207ARB	60075	69016Z	60066
65205W	60057	65208MB	60055	67207ER	60075	69016ZB	60066
65205WB	60057	65208N	60055	67207ERB	60075	69201SZ	60077
65206/OH	60059	65208NB	60055	67207TR	60075	69201SZB	60077
65206AW	60058	65208NL	60055	67207TRB	60075	69201Z	60064
65206AWB	60058	65208R	60055	68016R	60079	69201ZB	60064
65206R	60052	65208RB	60055	68016RB	60079	69202SZ	60078
65206RB	60052	65208RL	60055	68201R	60077	69202SZB	60078
65206RL	60052	65208SR	60063	68201RB	60077	69202Z	60065
65206SR	60059	65208SRL	60063	68202R	60078	69202ZB	60065
65206SRL	60059	65208X	60055	68202RB	60078	69203SZ	60080
65206W	60058	65208XB	60055	68203R	60080	69203SZB	60080
65206WB	60058	67204AR	60072	68203RB	60080	69203Z	60067
65206X	60053	67204ARB	60072	68204AR	60062	69203ZB	60067
65206XB	60053	67204ER	60072	68204ARB	60062	69204SZ	60081
65206Y	60059	67204ERB	60072	68204R	60081	69204SZB	60081
65206YB	60059	67204TR	60072	68204RB	60081	69204Z	60062
65207M	60054	67204TRB	60072	68205AR	60061	69204ZB	60062



Clip-on safety cap (closed version)

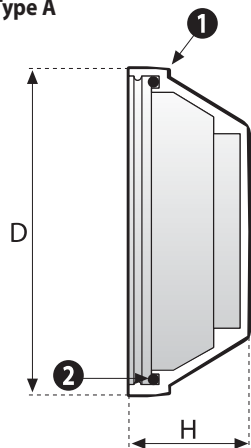
COMPONENTS

- ❶ Clip-on safety cap in polypropylene.
- ❷ Heavy duty O-Ring in NBR.

COLOUR

- Safety cap in white.

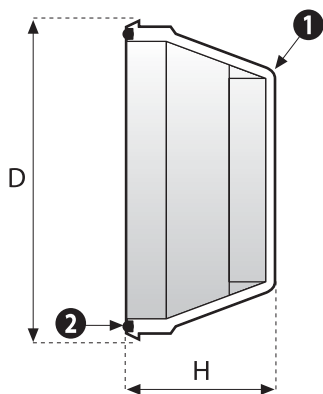
Type A



SAFETY CAP CODE	TYPE	D mm	H mm
50100CG	A	80	29.5
50101CG	A	96	40
50102CG	A	71	34.5
50103CG	A	87.5	40.5
50104CG	A	62	30
50105CG	A	56	29.5
50108CG	A	69.5	32

support code	SAFETY CAP CODE	support code	SAFETY CAP CODE	support code	SAFETY CAP CODE	support code	SAFETY CAP CODE
50016CGRB-EC	50105CG	53204CGARB	50105CG	54207CGR-EC	50103CG	73204CGARB-U	50105CG
50016CGR-EC	50105CG	53205CGAR	50104CG	54208CGRB-EC	50101CG	73204CGAR-U	50105CG
50201CGRB-EC	50105CG	53205CGARB	50104CG	54208CGR-EC	50101CG	73205CGARB-U	50104CG
50201CGR-EC	50105CG	53206CGAR	50102CG	54208CGRL-EC	50101CG	73205CGAR-U	50104CG
50202CGRB-EC	50105CG	53206CGARB	50102CG	700206CGRB-EC	50100CG	73206CGARB-U	50102CG
50202CGR-EC	50105CG	54016CGRB-EC	50105CG	700206CGR-EC	50100CG	73206CGAR-U	50102CG
50203CGRB-EC	50105CG	54016CGR-EC	50105CG	700206CGRL-EC	50100CG	740206CGRB-EC	50100CG
50203CGR-EC	50105CG	54201CGRB-EC	50105CG	70204CGRB-EC	50104CG	740206CGR-EC	50100CG
50204CGRB-EC	50104CG	54201CGR-EC	50105CG	70204CGR-EC	50104CG	740206CGRL-EC	50100CG
50204CGR-EC	50105CG	54202CGRB-EC	50105CG	70205CGRB-EC	50108CG	74204CGRB-EC	50104CG
50205CGRB-EC	50108CG	54202CGR-EC	50105CG	70205CGR-EC	50108CG	74204CGR-EC	50104CG
50205CGR-EC	50108CG	54203CGRB-EC	50105CG	70206CGRB-EC	50100CG	74205CGRB-EC	50108CG
50206CGRB-EC	50100CG	54203CGR-EC	50105CG	70206CGR-EC	50100CG	74205CGR-EC	50108CG
50206CGR-EC	50100CG	54204CGRB-EC	50104CG	70206CGRL-EC	50100CG	74205CGRB-EC	50108CG
50206CGRL-EC	50100CG	54204CGR-EC	50104CG	70207CGRB-EC	50103CG	74206CGRB-EC	50100CG
50207CGRB-EC	50103CG	54205CGRB-EC	50108CG	70207CGR-EC	50103CG	74206CGRL-EC	50100CG
50207CGR-EC	50103CG	54205CGR-EC	50108CG	70208CGRB-EC	50101CG	74207CGRB-EC	50103CG
50208CGRB-EC	50101CG	54206CGRB-EC	50100CG	70208CGR-EC	50101CG	74207CGR-EC	50103CG
50208CGR-EC	50101CG	54206CGRL-EC	50100CG	70208CGRL-EC	50101CG	74208CGRB-EC	50101CG
50208CGRL-EC	50101CG	54206CGRL-EC	50100CG	730206CGARB-U	50102CG	74208CGR-EC	50101CG
53204CGAR	50105CG	54207CGRB-EC	50103CG	730206CGAR-U	50102CG	74208CGRL-EC	50101CG

Type B



SAFETY CAP CODE	TYPE	D mm	H mm
50106CG	B	58.5	28
50107CG	B	76	32
50109CG	B	50	26.5
50110CG	B	84	28

support code	SAFETY CAP CODE	support code	SAFETY CAP CODE	support code	SAFETY CAP CODE	support code	SAFETY CAP CODE
52205CGFR	50106CG	53202CGR	50109CG	53208CGR	50110CG	730206CGR	50107CG
52205CGFRA	50109CG	53202CGRB	50109CG	53208CGRB	50110CG	730206CGRB	50107CG
52205CGFRB	50106CG	53203CGR	50109CG	720206CGFR	50107CG	73204CGR	50109CG
52205CGFRBA	50109CG	53203CGRB	50109CG	720206CGFRB	50107CG	73204CGRB	50109CG
52206CGFR	50107CG	53204CGR	50109CG	72205CGFR	50106CG	73205CGR	50106CG
52206CGFRA	50107CG	53204CGRB	50109CG	72205CGFRA	50106CG	73205CGRB	50106CG
52206CGFRB	50107CG	53205CGR	50106CG	72205CGFRB	50109CG	73206CGR	50107CG
52206CGFRBA	50107CG	53205CGRB	50106CG	72205CGFRBA	50109CG	73206CGRB	50107CG
53016CGR	50109CG	53206CGR	50107CG	72206CGFR	50107CG	73207CGR	50107CG
53016CGRB	50109CG	53206CGRB	50107CG	72206CGFRA	50107CG	73207CGRB	50107CG
53201CGR	50109CG	53207CGR	50107CG	72206CGFRB	50107CG	73208CGR	50110CG
53201CGRB	50109CG	53207CGRB	50107CG	72206CGFRBA	50107CG	73208CGRB	50110CG



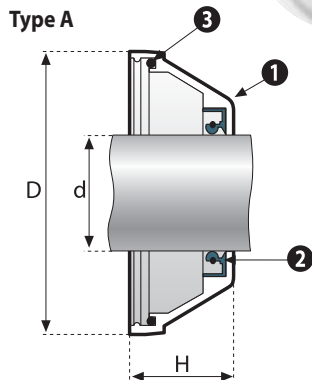
Clip-on safety cap (open version)

COMPONENTS

- ❶ Clip-on safety cap in polypropylene.
- ❷ Rotary shaft seal ring with extra dust protection lip in NBR rubber.
- ❸ Heavy duty O-Ring in NBR rubber.

COLOUR

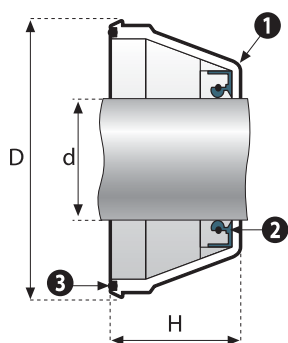
- Safety cap in white.



SAFETY CAP CODE	TYPE	D mm	d mm	H mm
50052CG	A	80	30	29.5
50055CG	A	96	40	40
50058CG	A	71	30	34.5
50060CG	A	87.5	35	40.5
50061CG	A	62	25	30
50062CG	A	56	20	29.5
50064CG	A	56	12	29.5
50065CG	A	56	15	29.5
50066CG	A	56	16	29.5
50067CG	A	56	17	29.5
50068CG	A	62	20	30
50069CG	A	69.5	25	32

support code	SAFETY CAP CODE	support code	SAFETY CAP CODE	support code	SAFETY CAP CODE	support code	SAFETY CAP CODE
55016CGRB-EC	50066CG	58204CGARB	50062CG	59207CGR-EC	50060CG	78204CGARB-U	70062CG
55016CGR-EC	50066CG	58205CGAR	50061CG	59208CGRB-EC	50055CG	78204CGAR-U	70062CG
55201CGRB-EC	50064CG	58205CGARB	50061CG	59208CGR-EC	50055CG	78205CGARB-U	50061CG
55201CGR-EC	50064CG	58206CGAR	50058CG	59208CGRL-EC	50055CG	78205CGAR-U	50061CG
55202CGRB-EC	50065CG	58206CGARB	50058CG	750206CGRB-EC	70071CG	78206CGARB-U	50058CG
55202CGR-EC	50065CG	59016CGRB-EC	50066CG	750206CGR-EC	70071CG	78206CGAR-U	50058CG
55203CGRB-EC	50067CG	59016CGR-EC	50066CG	750206CGRL-EC	70071CG	790206CGRB-EC	70071CG
55203CGR-EC	50067CG	59201CGRB-EC	50064CG	75204CGRB-EC	70073CG	790206CGR-EC	70071CG
55204CGRB-EC	50068CG	59201CGR-EC	50064CG	75204CGR-EC	70073CG	790206CGRL-EC	70071CG
55204CGR-EC	50068CG	59202CGRB-EC	50065CG	75205CGRB-EC	50069CG	79204CGRB-EC	70073CG
55205CGRB-EC	50069CG	59202CGR-EC	50065CG	75205CGR-EC	50069CG	79204CGR-EC	70073CG
55205CGR-EC	50069CG	59203CGRB-EC	50067CG	75206CGRB-EC	50052CG	79205CGRB-EC	50069CG
55206CGRB-EC	50052CG	59203CGR-EC	50067CG	75206CGR-EC	50052CG	79205CGR-EC	50069CG
55206CGR-EC	50052CG	59204CGRB-EC	50068CG	75206CGRL-EC	50052CG	79206CGRB-EC	50052CG
55206CGRL-EC	50052CG	59204CGR-EC	50068CG	75207CGRB-EC	70060CG	79206CGR-EC	50052CG
55207CGRB-EC	50060CG	59205CGRB-EC	50069CG	75207CGR-EC	70060CG	79206CGRL-EC	50052CG
55207CGR-EC	50060CG	59205CGR-EC	50069CG	75208CGRB-EC	70055CG	79207CGRB-EC	70060CG
55208CGRB-EC	50055CG	59206CGRB-EC	50052CG	75208CGR-EC	70055CG	79207CGR-EC	70060CG
55208CGR-EC	50055CG	59206CGR-EC	50052CG	75208CGRL-EC	70055CG	79208CGRB-EC	70055CG
55208CGRL-EC	50055CG	59206CGRL-EC	50052CG	780206CGARB-U	70068CG	79208CGR-EC	70055CG
58204CGAR	50062CG	59207CGRB-EC	50060CG	780206CGAR-U	70068CG	79208CGRL-EC	70055CG

Type B



SAFETY CAP CODE	TYPE	D mm	d mm	H mm
50073CG	B	58.5	25	28
50074CG	B	76	30	32
50075CG	B	76	35	32
50077CG	B	50	12	26.5
50078CG	B	50	15	26.5
50079CG	B	50	16	26.5
50080CG	B	50	17	26.5
50081CG	B	50	20	26.5
50082CG	B	84	40	28
50088CG	B	76	25	32

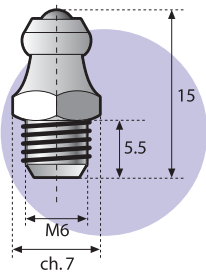
support code	SAFETY CAP CODE	support code	SAFETY CAP CODE	support code	SAFETY CAP CODE	support code	SAFETY CAP CODE
57205CGFR	50073CG	58202CGR	50078CG	58208CGR	50082CG	78204CGR	70081CG
57205CGFRA	50081CG	58202CGRB	50078CG	58208CGRB	50082CG	78204CGRB	70081CG
57205CGFRB	50073CG	58203CGR	50080CG	770206CGFR	70074CG	78205CGR	50073CG
57205CGFRBA	50081CG	58203CGRB	50080CG	770206CGFRB	70074CG	78205CGRB	50073CG
57206CGFR	50074CG	58204CGR	50081CG	77205CGFR	50073CG	78206CGR	50074CG
57206CGFRA	50088CG	58204CGRB	50081CG	77205CGFRA	70081CG	78206CGRB	50074CG
57206CGFRB	50074CG	58205CGR	50073CG	77205CGFRB	50073CG	78207CGR	70075CG
57206CGFRBA	50088CG	58205CGRB	50073CG	77205CGFRBA	70081CG	78207CGRB	70075CG
58016CGR	50079CG	58206CGR	50074CG	77206CGFR	50074CG	78208CGR	70082CG
58016CGRB	50079CG	58206CGRB	50074CG	77206CGFRA	50088CG	78208CGRB	70082CG
58201CGR	50077CG	58207CGR	50075CG	77206CGFRB	50074CG		
58201CGRB	50077CG	58207CGRB	50075CG	77206CGFRBA	50088CG		

ACCESSORIES



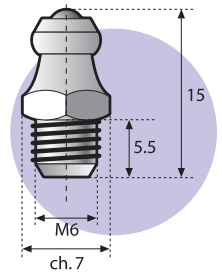
**Ball-Type
grease-nipple M6**

MATERIAL
nickel plated steel
CODE 50019



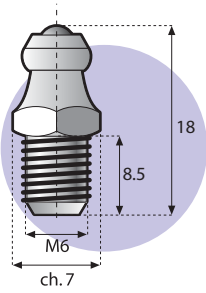
**Ball-Type
grease-nipple M6**

MATERIAL
stainless steel AISI 304
CODE 50020



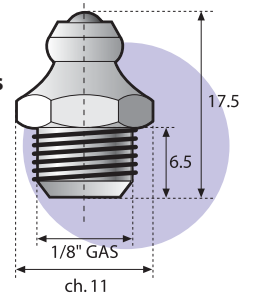
**Ball-Type
grease-nipple M6**

MATERIAL
stainless steel AISI 304
CODE 50036



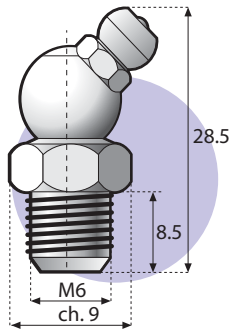
**Ball-Type
grease-nipple 1/8" gas**

MATERIAL
nickel plated steel
CODE 50021



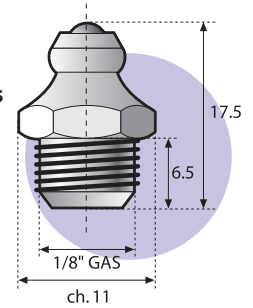
**Ball-Type
grease-nipple M6
45° degree**

MATERIAL
stainless steel AISI 304
CODE 50037



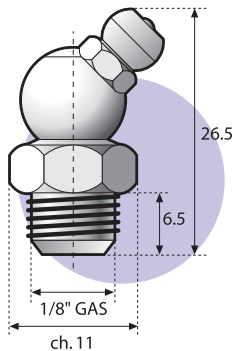
**Ball-Type
grease-nipple 1/8" gas**

MATERIAL
stainless steel AISI 304
CODE 50022



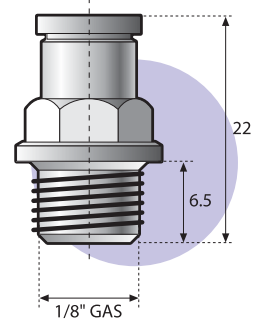
**Ball-Type
grease-nipple 1/8" gas
45° degree**

MATERIAL
nickel plated steel
CODE 50023



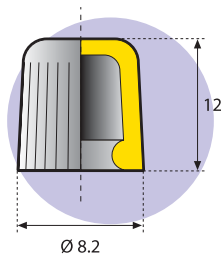
**Rapid coupling
thread 1/8" gas
for Ø tube 4 mm**

CODE 50005



Cap for ball grease nipple

CODE 50006

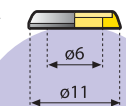


**Type A
Washer for
grease nipple M6**

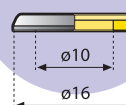
MATERIAL
Polyethylene yellow

CODE 50015

Type A



Type B



**Type B
Washer for
grease nipple 1/8" gas**

MATERIAL
Polyethylene yellow

CODE 50018

System Plast | **INSTRUCTION AND
MAINTENANCE**

FEATURES

SHOULDERED SHAFTS

Series F supports have been designed:

- To be adaptable to shaft deflections.
- To resist chemical agents.
- To support radial loads.

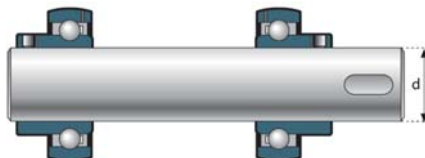
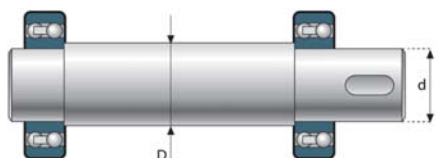
PLAIN SHAFT

Supports for shafts with constant diameter (plain) have main characteristics:

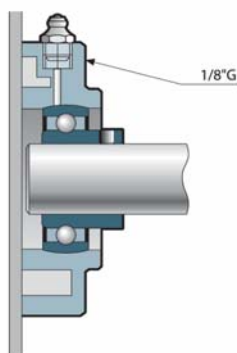
- Compensation for mistakes in alignment.
- Adaptability to shaft deflections.
- Resistance against chemical agents.
- Support of radial loads.
- Support of light axial loads.
- High load capacity.

FEATURES

- "Bearing Line" supports guarantee a high reliability.
- Modern technology used in all phases of workmanship and first quality materials ensure a quality product.
- "Bearing Line" supports can be used in most applications. The main advantages are their light weight, their resistance against chemical agents and corrosion, their mechanical strength, their easy cleaning, and their safety features.



LUBRICATION AND MAINTENANCE



All "Bearing Line" supports are normally supplied with a grease-nipple. In the table you find the grease-nipple corresponding to their support. If the support is uneasy to reach, or in case of centralized lubrication, a rapid coupling joint (Cod. 50005) for tube in Rilsan Ø4 mm is available.

TYPE OF LUBRICANT

Our bearings have been pre-greased with a synthetic foodgrade grease. This H1-grade grease allows for incidental contact with food. We recommend using a similar type of grease for re-greasing.

PRE-LUBRICATION

Initial lubrication is only recommended for supports series F1200 - FC 1200. Lips of seals must be lubricated during assembly, in order to avoid damage during the first revolutions of the shaft.

RE-LUBRICATION

Bearing supports must be lubricated while moving, so that grease can cover the whole surface of balls. Grease must be introduced slowly, often and in small quantities. Pressure of the grease gun should be between 1.3 and 2.0 bar.

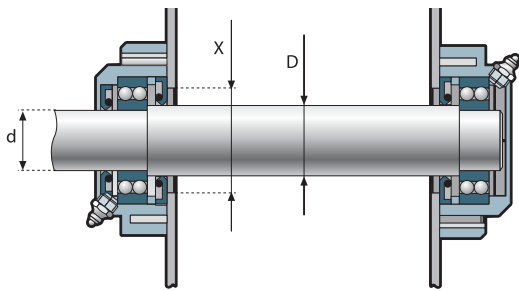
LUBRICATION INTERVAL

Lubrication periods depend on use conditions of bearing supports. Dust, humidity, load, temperature significantly affect the length of time between re-lubrication. The table shows indicative values for re-lubrication periods.

Support Type	Grease-nipple Type
F / FC	1/8" GAS
SFL / SFL-Z	M6
UCF / UCF-R	1/8" GAS
UCFC / UCFC-Y	1/8" GAS
UCFH / UCFH-R	M6
UCFL / UCFL-W	1/8" GAS
UCHA / UCHA-R	M6
UCHE / UCHE-R	M6
UCP / UCP-R	M6
UCPA / UCPA-R	M6
UCT / UCT-R	M6
UFL / UFL-Z	M6
US / US-R	M6
UCFQ / UCFQ-R	M6
CS / CS-R	M6
CL / CL-R	M6
UCFT	M6
CB / CB-R / CB-RL	M6 - 45°
UCFA / UCFA-R	M6
UCFG / UCFG-R	M6
SQL	M6

Use conditions	Temperature	re-lubrication period
clean	up to 50° C	1/2 years
clean	50 ÷ 70° C	4 - 8 months
clean	70 ÷ 100° C	1 - 3 months
dirty	up to 70° C	2 - 8 weeks
dirty	70 ÷ 100° C	2 - 4 weeks
humid+wet	-	1 - 2 weeks

FLANGED BEARING SUPPORTS FOR SHOULDERED SHAFT

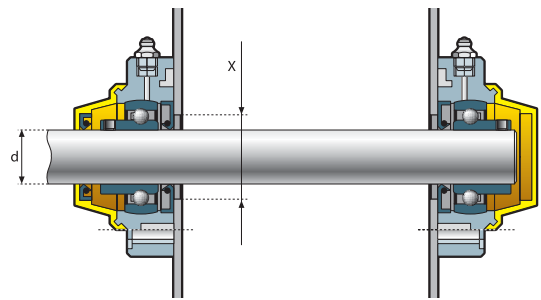


Dimension "X" must be maintained to obtain tightness of supports.

Dimension shaft/bore

d mm	D mm	X mm
25	30	35 ÷ 45
30	35	45 ÷ 55
35	40	50 ÷ 60
40	45	55 ÷ 70

FLANGED BEARING SUPPORTS FOR PLAIN SHAFT

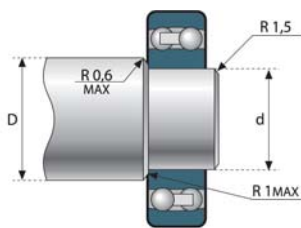


Dimension "X" must be maintained using supports with seals.

Dimension shaft/bore

d mm	X mm	d mm	X mm
12	20 ÷ 35	25	35 ÷ 45
15	20 ÷ 35	30	45 ÷ 55
16	22 ÷ 35	35	50 ÷ 60
17	22 ÷ 35	40	55 ÷ 70
20	30 ÷ 42		

FLANGED BEARING SUPPORTS FOR SHOULDERED SHAFT

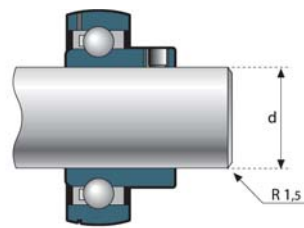


Coupling shaft/support

The drawing shows some values that must be carefully maintained.

Diameter "d" near the bearing must have a tolerance between -0,02 mm and -0,05 mm.

With heavy radial loads the coupling must be slightly forced.



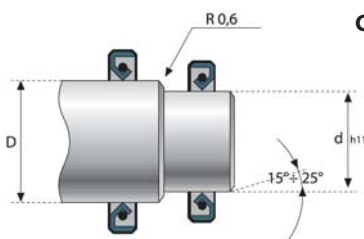
Coupling shaft/support

Both ends of the shaft must be made round in order to simplify assembly of supports.

Tolerance of shaft depends on diameter and number of revolutions.

Low speed	Average speed	High speed
h9	h8	h7

FLANGED BEARING SUPPORTS FOR SHOULDERED SHAFT



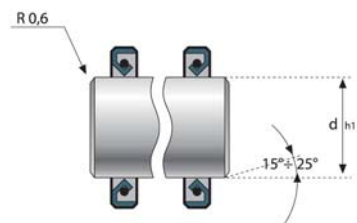
Coupling shaft/seals

The drawing shows chamfers and radii necessary to mount supports with seals correctly.

The shaft surface must be smooth and without defects.

Seal lips and shaft must be well lubricated before assembly.

FLANGED BEARING SUPPORTS FOR PLAIN SHAFT



Coupling shaft/seals

The drawing shows chamfers and radii necessary to mount supports with seals correctly.

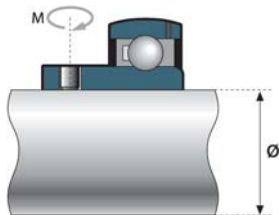
The shaft surface must be smooth and without defects.

Seal lips and shaft must be well lubricated before assembly.

MOUNTING INSTRUCTIONS

LOCKING WITH GRUB SCREWS

In case of low speed and normal load we suggest grub screws should be tightened according to the values shown in the table. A more effective tightening can be achieved fixing the grub screws to a hole in the shaft during assembly.



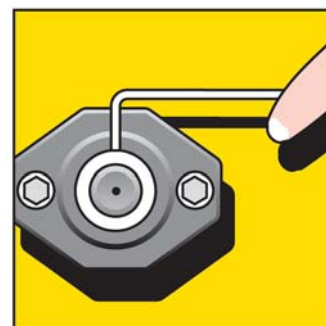
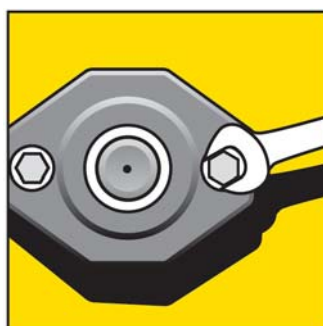
Ø	Grub screw size	Recommended driving torque	Set screw maximum axial load
	G (mm)	M (Nm)	F (N)
12-15-16-17-20-25	M6x0.75	3	2500
30	M6x0.75	3	2500
45	M6x0.75	3	2500
40	M8x1.00	7	3500

Unscrew the grub screws in order to free the bearing hole.

Insert the bearing on the shaft.

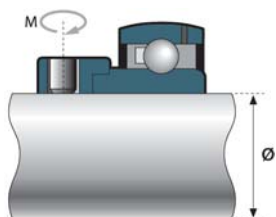
Tighten bolts on both sides.

Tighten screws according to recommended driving torque.



LOCKING WITH ECCENTRIC RING

Locking may be achieved rotating the ring. The ring has a blind hole that simplifies the locking between bearing and shaft. The grub screw prevents the ring from releasing the shaft. Recommended maximum driving torque is shown in the table.



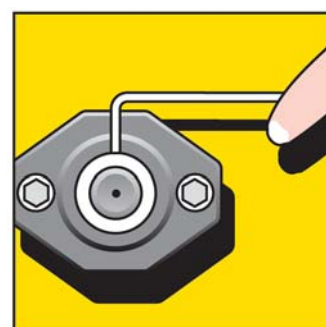
Ø	Grub screw size	Recommended driving torque	Set screw maximum axial load
	G (mm)	M (Nm)	F (N)
12-15-16-17-20-25	M6x0.75	3	2500
30	M8x1.00	7	3500
40	M8x1.00	12	5000

Insert bearing and housing on the shaft.

Tighten bolts on both sides.

Insert and block the eccentric ring.

Tighten the ring screws according to recommended driving torque.



CALCULATION of load capacity and bearing life

Choice of bearing dimensions

F_s	working conditions
1	Normal working conditions
1.5	Insert subject to vibrations or shocks
2 ÷ 2.5	Noiseless applications

LOAD COEFFICIENTS

Dynamic load coefficient C is used for calculating life of bearings under dynamic loads.
 Static load coefficient C_0 is used for bearings running at very low speeds or remaining still under load.
 Load coefficients are shown in the supports tables.

BEARING LIFE UNDER DYNAMIC LOADS

Bearing life is the number of revolutions, or the number of hours, bearings can run without showing any sign of damage or deterioration in any of their components.

Basic life can be calculated with the following formula:

$$L_{10} = \left(\frac{C}{P} \right)^3$$

where: L_{10} = life in millions of revolutions.
 C = dynamic load coefficient in N.
 P = equivalent dynamic load in N.

When bearings run at constant speed, their life can be determined in working hours:

$$L_{10h} = \frac{1.000.000}{60 n} \left(\frac{C}{P} \right)^3$$

where: L_{10h} = life in hours.
 n = speed in rpm.

STATIC LOAD CAPACITY

Bearing dimensions are based on static load coefficient C_0 , and not on their life, in the following cases:

- when bearings are not running and are subject to shocks.
- when bearings are subject to slow oscillation under load.

Equivalent static load can be calculated with the following formula:

$$P_0 = X_0 F_r + Y_0 F_a$$

where: P_0 = equivalent static load.
 X_0 = radial static factor.
 Y_0 = axial static factor.
 F_r = radial load in N.
 F_a = axial load in N.

(See calculation of equivalent load)

Then calculate $f_s = \frac{C_0}{P_0}$

where: f_s = static load safety factor.
 C_0 = static load coefficient in N.
 P_0 = equivalent static load in N.

If f_s value is less than value shown in the table, an insert with a higher C_0 must be chosen.

SUPPORT SERIES F - FC

DYNAMIC LOAD (RADIAL)

$$P = F_r$$

where: P = equivalent dynamic load in N.
 F_r = radial load in N.

COMBINED DYNAMIC LOAD (RADIAL+AXIAL)

$$P = F_r + Y_1 F_a \quad \text{with} \quad \frac{F_a}{F_r} \leq e$$

where: P = equivalent dynamic load in N.
 F_r = radial load in N.
 F_a = axial load in N.
 Y = axial load factor.

$$P = 0.65 F_r + Y_2 F_a \quad \text{with} \quad \frac{F_a}{F_r} > e$$

(See table below)

COMBINED STATIC LOAD (RADIAL+AXIAL)

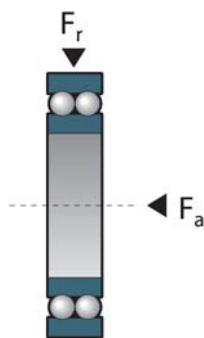
$$P_0 = F_r + Y_0 F_a$$

where: P_0 = equivalent static load in N.
 F_r = radial load in N.
 F_a = axial load in N.
 Y_0 = axial load factor.

(See table below)

bearing type	e	Y_0	Y_1	Y_2
1205	0.28	2.4	2.3	3.5
1206	0.24	2.8	2.6	4.1
1207	0.23	2.9	2.7	4.2
1208	0.22	3.0	2.9	4.4

Calculation of equivalent load



ALL OTHER SUPPORT SERIES

DYNAMIC LOAD (RADIAL)

$$P = F_r$$

where: P = equivalent dynamic load in N.

F_r = radial load in N.

COMBINED DYNAMIC LOAD (RADIAL+AXIAL)

$$P = X F_r + Y F_a$$

where: P = equivalent dynamic load in N.
 F_r = radial load in N.
 F_a = axial load in N.
 X = radial load factor.
 Y = axial load factor.

(See table below)

COMBINED STATIC LOAD (RADIAL+AXIAL)

$$P_0 = 0.6 F_r + 0.5 F_a$$

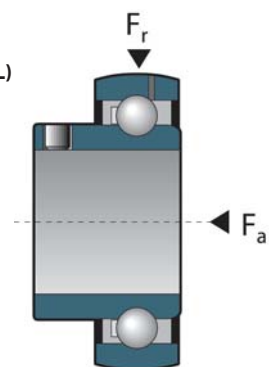
where: P_0 = equivalent static load in N.

F_r = radial load in N.

F_a = axial load in N.

If $P_0 < F_r$, then consider $P_0 = F_r$

Calculation of equivalent load



IMPORTANT: $F_a \leq 20\% C$

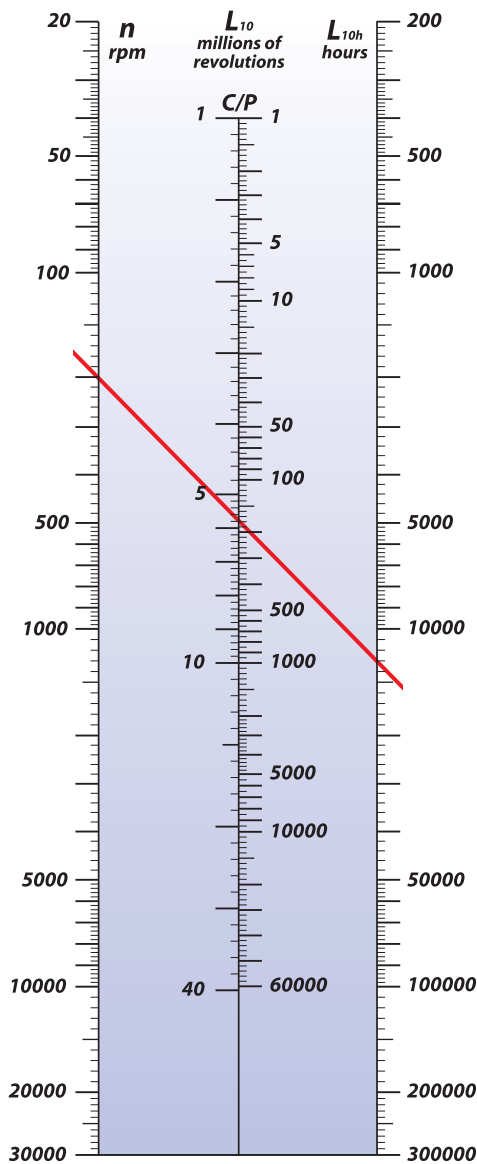
- Calculate F_a/C_0 ratio
- Compare result with value e
- Use X and Y factors in relation to F_a/C_0 ratio and to value.

Calculation factors

Fa/Co	e	Fa/Fr ≤ e		Fa/Fr > e	
		X	Y	X	Y
0.025	0.22	1	0	0.5	2.0
0.04	0.24	1	0	0.5	1.8
0.07	0.27	1	0	0.5	1.6
0.13	0.31	1	0	0.5	1.4
0.25	0.37	1	0	0.5	1.2
0.5	0.44	1	0	0.5	1.0

CALCULATION of load capacity and bearing life

Graph for life calculation



Bearing life

Bearing life can be determined in relation to the revolutions per minute (**rpm**) and the **C/P** ratio, as shown in the graph below:

HOW TO USE THE GRAPH

data: $n = 200 \text{ rpm}$ $P = 4000 \text{ N}$

$$C = 22400 \text{ N} \quad C_o = 17900 \text{ N}$$

$$\text{calculate } C/P = \frac{22400}{4000} = 5.6$$

result: $L_{10} \cong$ millions of revolutions

result: $L_{10h} \cong 15.000 \text{ hours}$

CALCULATION EXAMPLE

Using calculation formulae previously shown it is possible to solve this calculation example with the help of the graph:

$n = 200 \text{ rpm}$ $P = 4000 \text{ N}$

$$C = 22400 \text{ N} \quad C_o = 17900 \text{ N}$$

$$L_{10} = \left(\frac{C}{P} \right)^3 = \left(\frac{22400}{4000} \right)^3 = 175.6 \text{ millions of revolutions}$$




$$L_{10h} = \frac{1.000.000}{60n} \left(\frac{C}{P} \right)^3 = \frac{1.000.000}{60 \cdot 200} \left(\frac{22400}{4000} \right)^3 = 14.635 \text{ hours}$$



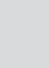
Limiting speed




Shaft d mm	Speeds for shaft tolerances				
	h6	h7	h8	h9	h11
Limiting speeds in rpm					
12	9500	6000	4300	1500	950
15	9500	6000	4300	1500	950
16	9500	6000	4300	1500	950
17	9500	6000	4300	1500	950
20	8500	5300	3800	1300	850
25	7000	4500	3200	1000	700
30	6300	4000	2800	900	630
35	5300	3400	2200	750	530
40	4800	3000	1900	670	480



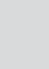
MAX. RADIAL LOAD CAPACITY OF HOUSING



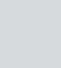
Values indicated in the table above, are obtained at 23°C. Values indicated : N. Values of polyamide version (values of polypropylene version in brackets).
For further information please consult catalogue pages regarding bearing type you are interested in.



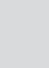
Series F ø mm						
12-15-16-17	13000	(6200)	12000	(5800)	3500	(3100)
30	12000	(5600)	11200	(5300)	3500	(3100)
35	11500	(5300)	10000	(5000)	3200	(3000)
40	11500	(5000)	10000	(4700)	3200	(3000)



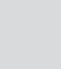
Series UCF/UCF-R ø mm						
20-25	13000	(6200)	12000	(5800)		
30	13000	(6000)	12000	(5800)		
35	12800	(6000)	11000	(5300)		
40	12500	(5800)	10800	(5100)		



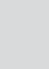
Series FC ø mm						
30	13000	(6000)	12000	(5800)	3500	(3000)
35	12800	(6000)	11000	(5300)	3500	(3000)



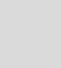
Series UCFT ø mm						
12-15-16-17	7000	(-)	7300	(-)		
25		(-)		(-)		



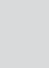
Series SFL/SFL-Z ø mm						
12-15-16-17	7000	3200	6500	3000		
20	6200	2900	6500	2800		

Series UFL/UFL-Z ø mm						
12-15-16-17	6200	(3200)	6500	(3000)		
20	5800	(2900)	6500	(2800)		

Series SQL ø mm						
12-15-16-17	6500	(-)	6000	(-)		
20	5800	(-)	5300	(-)		



Series UCFH/UCFH-R ø mm						
12-15-16-17	6500	(-)	7000	(-)		
20	7000	(-)	7500	(-)		
25	7500	(-)	8000	(-)		
30	8000	(-)	8800	(-)		
35	8500	(-)	9000	(-)		




Series UCFQ/UCFQ-R ø mm						
12-15-16-17	12000	(-)	12000	(-)		
20	12500	(-)	11500	(-)		
25	12500	(-)	11500	(-)		
30	12800	(-)	11000	(-)		
35	12300	(-)	10500	(-)		
40	12000	(-)	10000	(-)		




Series UCFL/UCFL-W ø mm						
20	6900	(3200)	7500	(3500)		
25	6750	(2950)	7200	(3000)		
30	12000	(5800)	13000	(6000)		
35	11000	(5300)	12800	(6000)		
40	10800	(5100)	12850	(5800)		




MAX. RADIAL LOAD CAPACITY OF HOUSING




Values indicated in the table above, are obtained at 23°C. Values indicated : N. Values of polyamide version (values of polypropylene version in brackets).
For further information please consult catalogue pages regarding bearing type you are interested in.




Series UCFC/UCFC-Y ø mm				
25				
30	13000	(6000)	12000	(5800)
35	12800	(6000)	11000	(5300)



Series UCPA/UCPA-R ø mm							
20	6500	(3000)	2000	(1000)	4000	(1600)	
25	7800	(3200)	2500	(1400)	4800	(1800)	
30	11000	(4000)	2900	(1500)	5700	(2000)	




Series UCP/UCP-R ø mm							
12-15-16-17	6500	(2000)	2000	(1000)	3500	(1500)	
20	8500	(3200)	2600	(1600)	4200	(2000)	
25	10000	(3600)	3100	(1600)	5000	(2100)	
30	12000	(5500)	3500	(1800)	6000	(2400)	
35	12500	(6000)	3700	(2000)	6500	(2600)	
40	13000	(5800)	4000	(2200)	7000	(3200)	



Series UCT/UCT-R ø mm							
20	7800	(3200)	2500	(1400)	4800	(1800)	
25	6500	(3000)	2000	(1000)	4000	(1600)	
30	12000	(5500)	3500	(1800)	6000	(2400)	
35	10000	(3600)	2900	(1500)	5500	(2000)	

Series UCFA/UCFA-R ø mm							
20	8000	(-)	2000	(-)	2500	(-)	
25	8500	(-)	3000	(-)	3000	(-)	
30	9000	(-)	3500	(-)	3500	(-)	

Series UCHA/UCHA-R ø mm							
20	10000	(3600)	2500	(1400)	4800	(1800)	
25	8500	(3200)	2000	(1000)	4000	(1600)	
30	14000	(6500)	3500	(1800)	6000	(2400)	
35	12000	(5500)	2900	(1500)	5500	(2000)	

Series UCFG/UCFG-R ø mm				
20	12000	(-)	10000	(-)
25	12500	(-)	11000	(-)
30	12800	(-)	11500	(-)

Series UCHE/UCHE-R ø mm							
20	10000	(3600)	2500	(1400)	4800	(1800)	
25	8500	(3200)	2000	(1000)	4000	(1600)	
30	14000	(6500)	3500	(1800)	6000	(2400)	
35	12000	(5500)	2900	(1500)	5500	(2000)	

Series CB/CB-R/CB-RL ø mm				
30	8500	(4000)	9500	(4500)
40	9000	(4200)	10000	(4750)



System Plast

**CHEMICAL
RESISTANCE**

CHEMICAL RESISTANCE

Data shown in the table was taken from laboratory tests performed on unstrained samples and are merely indicative.

Chemical resistance under normal working conditions can depend on various factors, such as stress and temperature, concentration of the chemical agent and duration of its effects.

Valid for ambient temperature (21°C)

Chemical agent	METALS							PLASTICS						RUBBERS											
	EXTRA		AISI 304		AISI 316		OT.NI	POM		PBT	PP		PA		PE		EPDM		NBR	SEBS		VITON			
	C %		C %		C %		C %		C %		C %		C %		C %		C %		C %		C %				
Acetic Acid	5	☆	20	☆	100	☆	○	5	●	10	☆	40	☆	10	●	10	☆	25	☆	●	25	○	20	●	
Acetone		☆	25	☆		☆	☆		○		○		☆	100	☆		☆		☆	●		○		●	
Acrylonitrile						☆							☆	100	☆				☆	●		○		●	
Aluminium chloride				○	10	○							○	10	☆				☆	☆		☆	SA	☆	
Aluminium sulphate					SA	☆							☆	10	☆		☆		☆	☆		☆	SA	☆	
Amyl alcohol				☆		☆				☆			☆	10	☆		☆		☆			☆		☆	
Ammonia	☆	100	☆		☆		●		☆		○	30	☆	10	☆		☆		☆	○		○		○	
Ammonium chloride				○		☆						10	☆	10	☆				☆	☆		☆	SA	☆	
Aniline		☆		☆		☆							☆	100	○	3	☆		●	●		●		☆	
Barium chloride				○	SA	☆							☆	10	☆				☆	☆		☆		☆	
Beer		☆		☆		☆		☆		☆			☆	☆		☆		☆	☆		☆		☆	☆	
Benzene		☆	70	○		☆			☆	●			☆				○		●			●			
Benzoic acid			100	☆	SA	☆					☆	SA	☆	SA	○				●	☆		●		☆	
Benzol				☆		☆		☆		☆			○	100	☆		○		●	●		●		○	
Boric acid		○	SA	☆		☆				10	☆	SA	☆	10	☆	SA	☆		☆	☆		☆	SA	☆	
Brine	10	●		○		☆					☆		○		○		☆		☆			○		☆	
Butter				☆		☆		☆		☆			☆	☆		☆		☆	☆		☆	○		☆	
Butyl acetate						☆				○		○	100	☆				○				○		●	
Butyl alcohol				☆									☆	100	☆				☆	○		☆		☆	
Butyl glycole						☆							☆	100	☆				☆			☆			
Calcium chloride		●		○		☆		☆			☆	50	☆	10	☆	SA	☆		☆	☆		☆	SA	☆	
Carbon sulphide				☆		☆			☆				☆	100	☆				●	●		●		☆	
Carbon tetrachloride			10	☆				☆		☆		●		☆					●					☆	
Chlorine water		●		●		○		●	●	●						●	3	○			3	○			
Chloroform		○	10	☆		☆		☆	●	●		○	100	●	●			●	●		●			☆	
Chromic acid			25	☆	50	○				○				1	○			50	○	●	50	●	50	☆	
Citric acid	10	☆		☆	SA	☆		●		○	10	☆	10	☆	10	○		☆	☆		☆	☆	SA	☆	
Cyclohexane						☆					☆		☆	100	☆				●	☆		○		☆	
Cyclohexanol						☆					☆		☆	100	☆				●	☆		○		☆	
Decalin						☆					○		○	☆					●	○		●		●	
Dioxane						☆					☆		○	☆				○	●		●				
Distilled water		☆	10	☆		☆		☆		☆		☆		☆		☆		☆				☆		●	
Ethyl acetate					○		☆			○		☆	100	☆					●					○	
Ethyl alcohol					☆			☆				96	☆	96	☆				○					☆	
Ethyl chloride					☆			○				●	100	☆		○			○					●	
Ethyl ether						☆					☆		☆	100	☆									☆	
Ferric chloride					○						10	☆		☆	10	☆			☆	☆		☆	SA	☆	
Food fats		☆	100	☆		☆		☆		☆					☆		☆	○	☆		○			☆	
Food oils		☆		☆		☆		☆		☆			☆	☆		☆			☆		☆			☆	
Formaldehyde		☆		☆		☆		☆		☆		40	☆	30	☆		○	○	○		○		40	●	
Formic acid	2	○		●	100	☆		☆	10	●		○		10	●	10	●	☆		●		☆		○	
Freon 12						☆							☆		☆				☆		☆			○	
Fresh water		☆		☆		☆		☆		☆		☆		☆		☆		☆		☆		☆		☆	
Fruit juice		☆		○		☆			☆		☆		☆		☆		☆		☆		☆		☆	☆	
Gasoline		☆		☆		☆		○			○		○	☆		○			●	○		●		☆	
Glycerine		☆		☆		☆		☆		☆		☆		☆		☆		☆		☆		☆		☆	
Hydrochloric acid		●		●		●		○	35	●	20	○	30	☆		●	35	☆	15	☆	○	15	☆	37	☆
Hydrofluoric acid				●		●							40	☆		●	70	☆		●				48	☆
Hydrogen peroxide	3	☆		☆		100	☆								●			30	○	●	30	●	90	☆	
Isopropyl alcohol						☆					☆		☆		☆			☆				☆		☆	
Lactic acid			○			☆		●		☆	10	☆	20	☆		☆		☆		○	☆		○	☆	
Linseed oil						☆		☆		☆		☆		☆		☆		○		☆		●			

Chemical agent	METALS						PLASTICS						RUBBERS															
	EXTRA		AISI 304		AISI 316		OT.NI		POM		PBT		PP		PA		PE		EPDM		NBR		SEBS		VITON			
	C %	C %	C %	C %	C %	C %	C %	C %	C %	C %	C %	C %	C %	C %	C %	C %	C %	C %	C %	C %	C %	C %	C %	C %	C %			
Magnesium chloride				○		☆					☆		☆		☆				☆		☆		☆	SA	☆			
Methyl acetate				○		☆					○		☆		☆				○		●		●		●			
Methyl alcohol			80	☆		☆		☆		☆				☆					☆		○		☆		○			
Methylene chloride		○				☆		●		●		○		☆				○		●		●		●	○			
Milk		☆		☆		☆		☆		☆		☆		☆		☆		☆		○		☆		☆	☆			
Mineral oil				☆		☆		☆		☆		☆		☆		☆		☆		●		☆		●	☆			
Nitric acid	25	○	65	☆				☆				☆		●		○				10		●			70	☆		
Nitrobenzene						☆					☆		☆		○				●		●		○		○			
Oleic acid		○		☆		☆		☆		☆		☆		☆		○			●		○		●		○			
Oxalic acid			65	☆		☆				10	☆		☆		○				○		○		○		☆			
Paraffin						☆		☆		☆							☆		○				●					
Petroleum				☆		☆		☆		☆		☆		☆		●		●		●		☆		●	☆			
Petroleum ether				☆		☆		☆		○		☆		☆				●		●		●		●	☆			
Phenol				☆		☆				●		☆		●				○		●		○		○	☆			
Phosphoric acid	25	○		●		☆		●		●		☆		●		☆		☆		☆	20	○		☆	85	☆		
Potassium bichromate					SA	☆					○		☆		○				☆		○		○	SA	☆			
Potassium bromite						☆					☆		☆		☆				☆		☆		☆		☆			
Potassium hydroxide		☆	50	☆		☆		●		●		☆		☆		☆		☆		☆		○		☆	☆			
Potassium permanganate				☆		☆					☆		☆		●			10	☆		●		10	○	☆			
Sea water		●		☆		☆		☆		○		☆		☆		☆		☆		☆		☆		○	☆			
Silicone oil						☆					☆		☆		☆				☆		☆		☆		☆			
Silver nitrate				○		☆							☆		☆						○				☆			
Sodium carbonate		☆	100	☆	SA	☆		☆		10	☆		☆		☆		☆		☆		☆		☆		☆			
Sodium chloride		○		○		☆		☆					☆		☆		☆		☆		☆		☆		SA	☆		
Sodium hydroxide	40	☆		☆		60	☆			10	●			☆					☆		○		☆					
Sodium hypochlorite				●	SA	○		●		10	○		☆		☆		☆		10	☆		●		10	○	5	☆	
Sodium silicate			100	☆		☆								☆					☆		☆		☆		☆			
Sodium sulphate			100	☆		☆								☆					○		☆		☆		☆			
Soft drinks				☆		☆		☆		☆		☆		☆		☆		☆		☆		☆		☆	☆			
Suds				☆		☆		☆		10	☆		☆		☆		☆		☆		☆		☆		☆			
Sulphuric acid		●		●		○		☆		●	2	☆		☆		●		○		50	☆		●		50	○	95	☆
Tartaric acid		☆	50	☆		☆		●		○	50	☆		☆		☆		☆		○		☆		☆		☆		
Tetrahydrofuran						☆					☆		○		☆				●		●		●		●			
Tetralin				●		☆					☆		●		☆				●		●		●		☆			
Tincture of iodine				○		☆		●					☆		●		☆		○		●		○		☆			
Toluol		☆				☆					☆		☆		☆				●		●		●		○			
Transformer oil		☆				☆					☆		○		☆				●		☆		●		☆			
Trichloroethylene				●	100	☆					●		○		○				●		●		●		☆			
Triethanolamin						☆					☆		☆		☆				○		●		○		●			
Turpentine		☆		☆		☆		●		☆							●		●		●		●		☆			
Vaseline						☆					☆			☆		○			●		☆		●		☆			
Vegetable juice		☆		☆		☆		☆		☆		☆		☆		☆		☆		☆		☆		☆	☆			
Vegetable oils		☆		☆		☆		☆		●		☆		☆		☆		○		☆		○		☆	☆			
Vinegar		☆		☆		100	☆		☆		10	☆		☆		☆		☆		25	☆		○		25	○	●	
Water and soap		☆		☆		☆		☆		☆		☆		☆		☆		☆		☆		☆		☆		☆		
Whisky		☆		☆		☆		☆		☆		☆		☆		☆		☆		☆		☆		☆		☆		
Wine		☆		☆		☆		☆		☆		☆		☆		☆		○		☆		☆		☆		☆		
Xilol		☆		☆		☆		○		●		☆		●		☆		☆		●		●		●		☆		

ABBREVIATION

C = concentration
SA = saturated

☆ = good resistance
● = insufficient resistance (not recommended)

○ = fairly good resistance depending on use conditions
blank spaces = no tests performed

INDEX

Code	Page	Code	Page	Code	Page	Code	Page	Code	Page	Code	Page
50005	110	50082CG	109	50204V-EC	17	50206CGRB-EC	19	50207CSRL	31	50208GB	9
50006	110	50083	106	50204VRB-EC	19	50206CGR-EC	19	50207CSRS	29	50208K	33
50015	110	50084	106	50204VR-EC	19	50206CGRL-EC	21	50207D	33	50208K/SS	33
50016VB-EC	17	50085	106	50204VRL-EC	21	50206CL	47	50207D/SS	33	50208KB	33
50016V-EC	17	50086	106	50204W	35	50206CLB	47	50207DB	33	50208M	35
50016VRB-EC	19	50087	106	50204WB	35	50206CLBR	49	50207G	9	50208MB	35
50016VR-EC	17	50088	106	50205	9	50206CLR	49	50207G/SS	9	50208N	11
50018	110	50088CG	109	50205/SS	9	50206CLRL	51	50207GB	9	50208NB	11
50019	110	50100	104	50205A	9	50206CLRS	49	50207K	33	50208NL	13
50020	110	50100CG	108	50205A/SS	9	50206CS	27	50207K/SS	33	50208R	11
50021	110	50101	104	50205AB	9	50206CSB	27	50207KB	33	50208RB	11
50022	110	50101CG	108	50205AR	11	50206CSBR	29	50207M	35	50208RL	13
50023	110	50102	104	50205ARB	11	50206CSR	29	50207MB	35	50208S	9
50051	106	50102CG	108	50205AW	35	50206CSRL	31	50207N	11	50208S/SS	9
50052	106	50103	104	50205AWB	35	50206CSRS	29	50207NB	11	50208SB	9
50052CG	109	50103CG	108	50205B	9	50206K	33	50207NL	13	50208SR	11
50053	106	50104	104	50205C	61	50206K/SS	33	50207R	11	50208SRL	13
50054	106	50104CG	108	50205C/SS	61	50206KB	33	50207RB	11	50208V/SS-EC	17
50055	106	50105	104	50205CB	61	50206L	33	50207V/SS-EC	17	50208VB-EC	17
50055CG	109	50105CG	108	50205CG/SS-EC	17	50206L/SS	33	50207VB-EC	17	50208V-EC	17
50056	106	50106	104	50205CGB-EC	17	50206LA	33	50207V-EC	17	50208VRB-EC	19
50057	106	50106CG	108	50205CG-EC	17	50206LA/SS	33	50207VRB-EC	19	50208VR-EC	19
50058	106	50107	104	50205CGRB-EC	19	50206LAB	33	50207VR-EC	19	50208VRL-EC	21
50058CG	109	50107CG	108	50205CGR-EC	19	50206LB	33	50207VRL-EC	21	50208X	35
50059	106	50108	104	50205CGRL-EC	21	50206R	11	50207X	35	50208XB	35
50060	106	50108CG	108	50205L	33	50206RB	11	50207XB	35	51205	15
50060CG	109	50109	104	50205L/SS	33	50206RL	13	50207Y	63	51205A	15
50061	106	50109CG	108	50205LA	33	50206S	9	50207YB	63	51206	15
50061CG	109	50110	104	50205LA/SS	33	50206S/SS	9	50208	9	51206	15
50062	106	50110CG	108	50205LAB	33	50206SB	9	50208/OH	11	51206C	65
50062CG	109	50111	104	50205LB	33	50206SR	11	50208/SS	9	51206F	23
50063	106	50112	104	50205R	11	50206SRL	13	50208B	9	51206FB	23
50064	106	50201VB-EC	17	50205RB	11	50206V/SS-EC	17	50208CG/SS-EC	17	51206FR	25
50064CG	109	50201V-EC	17	50205S	9	50206VB-EC	17	50208CGB-EC	17	51206FRB	25
50065	106	50201VRB-EC	19	50205S	9	50206V-EC	17	50208CG-EC	17	51206L	23
50065CG	109	50201VR-EC	19	50205S/SS	9	50206VRB-EC	19	50208CGRB-EC	19	51206LB	23
50066	106	50202VB-EC	17	50205SB	9	50206VR-EC	19	50208CGR-EC	19	51206S	23
50066CG	109	50202V-EC	17	50205SR	11	50206VRL-EC	21	50208CGL-EC	21	51206SB	23
50067	106	50202VRB-EC	19	50205SRB	11	50206W	35	50208CL	47	51206SR	25
50067CG	109	50202VR-EC	19	50205SRL	13	50206WB	35	50208CLB	47	51206SRB	25
50068	106	50203VB-EC	17	50205V/SS-EC	17	50206X	35	50208CLBR	49	51206T	23
50068CG	109	50203V-EC	17	50205VB-EC	17	50206XB	35	50208CLBRL	51	51206TB	23
50069	106	50203VRB-EC	19	50205V-EC	17	50206Y	63	50208CLR	49	51207	15
50069CG	109	50203VR-EC	19	50205VRB-EC	19	50206YB	63	50208CLRL	51	51207C	65
50072	106	50204A	9	50205VRL-EC	21	50207	9	50208CLRS	49	51208	15
50073	106	50204A/SS	9	50205VRL-EC	21	50207/SS	9	50208CS	27	51208F	23
50073CG	109	50204AB	9	50205W	35	50207B	9	50208CSB	27	51208FB	23
50074	106	50204AR	11	50205WB	35	50207C	61	50208CSBR	29	51208FR	25
50074CG	109	50204ARB	11	50206	9	50207C/SS	61	50208CSBRL	31	51208FRB	25
50075	106	50204CGRB-EC	19	50206/OH	11	50207CB	61	50208CSR	29	51208L	23
50075CG	109	50204CGR-EC	19	50206/SS	9	50207CGRB-EC	19	50208CSRL	31	51208LB	23
50076	106	50204CGRL-EC	21	50206AW	35	50207CGR-EC	19	50208CSRS	29	51208S	23
50077	106	50204L	33	50206AWB	35	50207CGRL-EC	21	50208D	33	51208SB	23
50077CG	109	50204L/SS	33	50206B	9	50207CL	47	50208D/SS	33	51208SR	25
50078	106	50204LB	33	50206C	61	50207CLB	47	50208DB	33	51208SRB	25
50078CG	109	50204S	9	50206C/SS	61	50207CLBR	49	50208F	9	51208T	23
50079	106	50204S/SS	9	50206CA	61	50207CLR	49	50208F/SS	9	51208TB	23
50079CG	109	50204SB	9	50206CA/SS	61	50207CLRL	51	50208FB	9	52204A	87
50080	106	50204SR	11	50206CAB	61	50207CLRS	49	50208FR	11	52204A/SS	87
50080CG	109	50204SRB	11	50206CB	61	50207CS	27	50208FRB	11	52204AB	87
50081	106	50204SRL	13	50206CG/SS-EC	17	50207CSB	27	50208FRL	13	52204AR	89
50081CG	109	50204V/SS-EC	17	50206CGB-EC	17	50207CSBR	29	50208G	9	52204ARB	89
50082	106	50204VB-EC	17	50206CG-EC	17	50207CSR	29	50208G/SS	9	52204E	91

Code	Page	Code	Page	Code	Page	Code	Page	Code	Page	Code	Page
52204E/SS	91	52206CGFRBA	77	53204	67	53207B	67	54202NSB	99	54205N-EC	41
52204EB	91	52206E	91	53204/SS	67	53207CG	67	54202S	95	54205NRB-EC	43
52204ER	93	52206E/SS	91	53204A	71	53207CG/SS	67	54202SB	95	54205NR-EC	43
52204ERB	93	52206EB	91	53204A/SS	71	53207CGB	67	54202SZ	97	54205NRL-EC	45
52204T	83	52206ER	93	53204AB	71	53207CGR	69	54202SZB	97	54205TN	53
52204T/SS	83	52206ERB	93	53204AR	73	53207CGRB	69	54202TN	53	54205TN/SS	53
52204TB	83	52206F	75	53204ARB	73	53207R	69	54202TNB	53	54205TNB	53
52204TR	85	52206F/SS	75	53204B	67	53207RB	69	54202Z	39	54206CB	55
52204TRB	85	52206FA	75	53204CG	67	53208	67	54202ZB	39	54206CB/SS	55
52205A	87	52206FA/SS	75	53204CG/SS	67	53208B	67	54203	37	54206CBB	55
52205A/SS	87	52206FB	75	53204CGA	71	53208B	67	54203B	37	54206CBBR	57
52205AB	87	52206FBA	75	53204CGA/SS	71	53208CG	67	54203NB-EC	41	54206CBBR	57
52205AR	89	52206FR	77	53204CGAB	71	53208CG/SS	67	54203ND	99	54206CBBR	57
52205ARB	89	52206FRA	77	53204CGAC	71	53208CGB	67	54203NDB	99	54206CBBR/SS	57
52205CGF	75	52206FRB	77	53204CGAR	73	53208CGR	69	54203NDB	99	54206CBRL	59
52205CGF/SS	75	52206FRBA	77	53204CGAR	73	53208CGR	69	54203N-EC	41	54206CG/SS-EC	41
52205CGFA	75	52206G	79	53204CGARB	73	53208CGRB	69	54203N-EC	41	54206CGB-EC	41
52205CGFA/SS	75	52206G/SS	79	53204CGB	67	53208R	69	54203NRB-EC	43	54206CGB-EC	41
52205CGFB	75	52206GB	79	53204CGR	69	53208RB	69	54203NR-EC	43	54206CG-EC	41
52205CGFBA	75	52206GB	79	53204CGRB	69	54016	37	54203NS	99	54206CGRB-EC	43
52205CGFR	77	52206GR	81	53204R	69	54016B	37	54203NSB	99	54206CGR-EC	43
52205CGFRA	77	52206GRB	81	53204R	69	54016B	37	54203S	95	54206CGR/EC	45
52205CGFRB	77	52206T	83	53205	67	54016NB-EC	41	54203SB	95	54206N/SS-EC	41
52205CGFRBA	77	52206T/SS	83	53205/SS	67	54016ND	99	54203SZ	97	54206NB-EC	41
52205E	91	52206TB	83	53205A	71	54016NDB	99	54203SZB	97	54206N-EC	41
52205E/SS	91	52206TB	83	53205A	71	54016N-EC	41	54203TN	53	54206NRB-EC	43
52205EB	91	52206TR	85	53205A/SS	71	54016NRB-EC	43	54203TNB	53	54206NR-EC	43
52205ER	93	52206TRB	85	53205AB	71	54016NR-EC	43	54203Z	39	54206NRL-EC	45
52205ERB	93	52207A	87	53205AR	73	54016NS	99	54203ZB	39	54207CG/SS-EC	41
52205F	75	52207A/SS	87	53205ARB	73	54016NS	99	54204	37	54207CGB-EC	41
52205F/SS	75	52207AB	87	53205ARB	73	54016NSB	99	54204/SS	37	54207CG-EC	41
52205FA	75	52207AR	89	53205B	67	54016S	95	54204B	37	54207CGRB-EC	43
52205FA/SS	75	52207ARB	89	53205CG	67	54016SB	95	54204B	37	54207CGRB-EC	43
52205FB	75	52207AR	89	53205CG/SS	67	54016SZ	97	54204CG/SS-EC	41	54207CGR-EC	43
52205FBA	75	52207E	91	53205CGA	71	54016SZB	97	54204CG/SS-EC	41	54207CGR-EC	43
52205FR	77	52207E/SS	91	53205CGA/SS	71	54016TN	53	54204CGB-EC	41	54207CGRL-EC	45
52205FRB	77	52207EB	91	53205CGAB	71	54016TN	53	54204CG-EC	41	54207N/SS-EC	41
52205G	79	52207ER	93	53205CGAB	71	54016TNB	53	54204CGR-EC	43	54207NB-EC	41
52205G/SS	79	52207ERB	93	53205CGAR	73	54016Z	39	54204CGR-EC	43	54207N-EC	41
52205GB	79	52207ERB	93	53205CGAR	73	54016ZB	39	54204CGR-EC	43	54207NRB-EC	43
52205GR	81	52207G	79	53205CGARB	73	54201	37	54204CGR-EC	43	54207NR-EC	43
52205GRB	81	52207G/SS	79	53205CGB	67	54201B	37	54204N/SS-EC	41	54207NRL-EC	45
52205T	83	52207GB	79	53205CGR	69	54201NB-EC	41	54204NB-EC	41	54207NRL-EC	45
52205T/SS	83	52207GR	81	53205CGRB	69	54201ND	99	54204ND	99	54208CB	55
52205TB	83	52207GRB	81	53205R	69	54201ND	99	54204ND/SS	99	54208CB/SS	55
52205TR	85	52207T	83	53205RB	69	54201NDB	99	54204NDB	99	54208CBB	55
52205TRB	85	52207T/SS	83	53206	67	54201N-EC	41	54204N-EC	41	54208CBBR	57
52206A	87	52207TB	83	53206/SS	67	54201N-EC	41	54204N-EC	41	54208CBBR	57
52206A/SS	87	52207TR	85	53206A	71	54201NRB-EC	43	54204NRB-EC	43	54208CBBR	57
52206AB	87	52207TRB	85	53206A/SS	71	54201NR-EC	43	54204NRB-EC	43	54208CBBR	57
52206AB	87	52207TRB	85	53206AB	71	54201NS	99	54204NR-EC	43	54208CBBR	57
52206AR	89	525206CGF/SS	75	53206AB	71	54201NS	99	54204NRL-EC	45	54208CBBR	57
52206ARB	89	532016	67	53206AB	71	54201NSB	99	54204NS	99	54208CBBR	57
52206CGF	75	53016	67	53206AB	71	54201NSB	99	54204NS/SS	99	54208CBBR	57
52206CGF/SS	74	53016B	67	53206ARB	73	54201S	95	54204NS/SS	99	54208CBBR	57
52206CGFA	75	53016B	67	53206ARB	73	54201SB	95	54204NSB	99	54208CBBR	57
52206CGFA/SS	75	53016RB	69	53206B	67	54201SZ	97	54204NSB	99	54208CBBR	57
52206CGFB	75	53016RB	69	53206CG	67	54201SZB	97	54204S	95	54208CBBR	57
52206CGFBA	75	53016RB	69	53206CG/SS	67	54201TN	53	54204S/SS	95	54208CBBR	57
52206CGFR	77	53201	67	53206CGA	71	54201TNB	53	54204SB	95	54208CBBR	57
52206CGFRA	77	53201B	67	53206CGA/SS	71	54201TNB	53	54204SZ	97	54208CBBR	57
52206CGFRB	77	53201B	67	53206CGA/SS	71	54201Z	39	54204SZB	97	54208CBBR	57
		53201R	69	53206CGAB	71	54201ZB	39	54204Z	39	54208CBBR	57
		53201RB	69	53206CGAR	73	54202	37	54204ZB	39	54208CBBR	57
		53202	67	53206CGAR	73	54202B	37	54205CG/SS-EC	41	54208CBBR	57
		53202B	67	53206CGARB	73	54202NB-EC	41	54205CGB-EC	41	54208CBBR	57
		53202R	69	53206CGB	67	54202NDB	99	54205CGB-EC	41	54208CBBR	57
		53202RB	69	53206CGR	69	54202ND	99	54205CG-EC	41	54208CBBR	57
		53203	67	53206CGRB	69	54202NDB	99	54205CG-EC	41	54208CBBR	57
		53203B	67	53206R	69	54202N-EC	41	54205CGRB-EC	43	54208CBBR	57
		53203R	69	53206RB	69	54202N-EC	41	54205CGRB-EC	43	54208CBBR	57
		53203RB	69	53207	67	54202NRB-EC	43	54205CGR/EC	45	54208CBBR	57
				53207/SS	67	54202NR-EC	43	54205CGR/EC	45	54208CBBR	57
						54202NS	99	54205N/SS-EC	41	54208CBBR	57
								54205NB-EC	41	54208CBBR	57

INDEX

Code	Page	Code	Page	Code	Page	Code	Page	Code	Page	Code	Page
55203VRB-EC	19	55207CLBR	49	56207C	65	58204CGARB	73	59205CGRB-EC	43	60106	105
55203VR-EC	19	55207CLR	49	56208	15	58204CGR	69	59205CGR-EC	43	60107	105
55204AR	11	55207CLRL	51	56208FR	25	58204CGRB	69	59205CGRL-EC	45	60109	105
55204ARB	11	55207CLRS	49	56208FRB	25	58204R	69	59205NRB-EC	43	60110	105
55204CGRB-EC	19	55207CSBR	29	56208SR	25	58204RB	69	59205NR-EC	43	60204L	33
55204CGR-EC	19	55207CSR	29	56208SRB	25	58205AR	73	59205NRL-EC	45	60204S	9
55204CGRL-EC	21	55207CSRL	31	57204AR	89	58205ARB	73	59206CBBR	57	60204SR	11
55204SR	11	55207CSRS	29	57204ARB	89	58205CGAR	73	59206CBBR	57	60204SRB	11
55204SRB	11	55207M	35	57204ER	93	58205CGARB	73	59206CBBR/SS	57	60204SRL	13
55204SRL	13	55207MB	35	57204ERB	93	58205CGR	69	59206CBRL	59	60204W	35
55204VRB-EC	19	55207N	11	57204TR	85	58205CGRB	69	59206CGRB-EC	43	60204WB	35
55204VR-EC	19	55207NB	11	57204TRB	85	58205R	69	59206CGR-EC	43	60205A	9
55204VRL-EC	21	55207NL	13	57205AR	89	58205RB	69	59206CGRL-EC	45	60205AR	11
55204W	35	55207R	11	57205ARB	89	58206AR	73	59206NRL-EC	45	60205ARB	11
55204WB	35	55207RB	11	57205CGFR	77	58206ARB	73	59207CGRB-EC	43	60205AW	35
55205AR	11	55207VRB-EC	19	57205CGFRA	77	58206CGAR	73	59207CGR-EC	43	60205AWB	35
55205ARB	11	55207VR-EC	19	57205CGFRB	77	58206CGARB	73	59207CGRL-EC	45	60205C	61
55205AW	35	55207VRL-EC	21	57205CGFRBA	77	58206CGR	69	59207NRB-EC	43	60205L	33
55205AWB	35	55207X	35	57205ER	93	58206CGRB	69	59207NR-EC	43	60205LA	33
55205CGRB-EC	19	55207XB	35	57205ERB	93	58206R	69	59207NRL-EC	45	60205SRL	13
55205CGR-EC	19	55207Y	63	57205FR	77	58206RB	69	59208CBBR	57	60205W	35
55205CGRL-EC	21	55207YB	63	57205FRA	77	58207CGR	69	59208CBBR	57	60205WB	35
55205R	11	55208/OH	11	57205FRB	77	58207CGRB	69	59208CBBR/SS	57	60206	9
55205RB	11	55208CGRB-EC	19	57205FRBA	77	58207R	69	59208CBRL	59	60206C	61
55205SR	11	55208CGR-EC	19	57205GR	81	58207RB	69	59208CGRB-EC	43	60206CA	61
55205SRB	11	55208CGRL-EC	21	57205GRB	81	58208CGR	69	59208CGR-EC	43	60206K	33
55205SRL	13	55208CLBR	49	57205TR	85	58208CGRB	69	59208CGRL-EC	45	60206R	11
55205VRB-EC	19	55208CLBRL	51	57205TRB	85	58208R	69	59208NRB-EC	43	60206RB	11
55205VR-EC	19	55208CLR	49	57206AR	89	58208RB	69	59208NR-EC	43	60206RL	13
55205VRL-EC	21	55208CLRL	51	57206ARB	89	59016NRB-EC	43	59208NRL-EC	45	60206SRL	13
55205W	35	55208CLRS	49	57206CGFR	77	59016NR-EC	43	60051	107	60206X	35
55205WB	35	55208CSBR	29	57206CGFRA	77	59016SZ	97	60052	107	60206XB	35
55206/OH	11	55208CSBRL	31	57206CGFRB	77	59016SZB	97	60053	107	60206Y	63
55206AW	35	55208CSR	29	57206CGFRBA	77	59016Z	39	60054	107	60206YB	63
55206AWB	35	55208CSRL	31	57206ER	93	59016ZB	39	60055	107	60207	9
55206CGRB-EC	19	55208CSRS	29	57206ERB	93	59201NRB-EC	17	60056	107	60207C	61
55206CGR-EC	19	55208FR	11	57206FR	77	59201NR-EC	43	60057	107	60207D	33
55206CGRL-EC	21	55208FRB	11	57206FRA	77	59201SZ	97	60058	107	60207M	35
55206CLBR	49	55208FRL	13	57206FRB	77	59201SZB	97	60059	107	60207MB	35
55206CLR	49	55208M	35	57206FRBA	77	59201Z	39	60060	107	60207R	11
55206CLRL	51	55208MB	35	57206GR	81	59201ZB	39	60061	107	60207RB	11
55206CLRS	49	55208N	11	57206GRB	81	59202NRB-EC	43	60062	107	60207RL	13
55206CSBR	29	55208NB	11	57206TR	85	59202NR-EC	43	60063	107	60207Y	63
55206CSR	29	55208NL	13	57206TRB	85	59202SZ	97	60064	107	60207YB	63
55206CSRL	31	55208R	11	57207AR	89	59202SZB	97	60065	107	60208	9
55206CSRS	29	55208RB	11	57207ARB	89	59202Z	39	60066	107	60208FRL	13
55206R	11	55208RL	13	57207ER	93	59202ZB	39	60067	107	60208NL	13
55206RB	11	55208SR	11	57207ERB	93	59203NRB-EC	43	60072	107	60208R	11
55206RL	13	55208SRL	13	57207GR	81	59203NR-EC	43	60073	107	60208RB	11
55206SR	11	55208VRB-EC	19	57207GRB	81	59203SZ	97	60074	107	60208RL	13
55206SRL	13	55208VR-EC	19	57207TR	85	59203SZB	97	60075	107	60208SRL	13
55206VRB-EC	19	55208VRL-EC	21	57207TRB	85	59203Z	39	60077	107	61205A	15
55206VR-EC	19	55208X	35	58016R	69	59203ZB	39	60078	107	64016Z	39
55206VRL-EC	21	55208XB	35	58016RB	69	59204CGRB-EC	43	60079	107	64016ZB	39
55206W	35	56205	15	58201R	69	59204CGR-EC	43	60080	107	64201Z	39
55206WB	35	56205A	15	58201RB	69	59204CGRL-EC	45	60081	107	64201ZB	39
55206X	35	56206	15	58202R	69	59204NRB-EC	43	60082	107	64202Z	39
55206XB	35	56206C	65	58202RB	69	59204NR-EC	43	60100	105	64202ZB	39
55206Y	63	56206FR	25	58203R	69	59204NRL-EC	45	60101	105	64203Z	39
55206YB	63	56206FRB	25	58203RB	69	59204SZ	97	60102	105	64203ZB	39
55207CGRB-EC	19	56206SR	25	58204AR	73	59204SZB	97	60103	105	64204/SS	37
55207CGR-EC	19	56206SRB	25	58204ARB	73	59204Z	39	60104	105	64204Z	39
55207CGRL-EC	21	56207	15	58204CGAR	73	59204ZB	39	60105	105	64204ZB	39

Code	Page	Code	Page	Code	Page	Code	Page	Code	Page
64206CB/SS	55	83227	102						
64206CBRL	59	83232	103						
64206CBR/SS	57	83233	103						
64208CB/SS	55	83234	103						
64208CBRL	59	83235	103						
64208CBR/SS	57	83263	103						
65204SR	11	83438	102						
65204SRB	11	83439	102						
65204SRL	13	83440	102						
65204W	35	83441	102						
65204WB	35	83442	102						
65205AR	11	83443	102						
65205ARB	11	83444	102						
65205AW	35	83445	102						
65205AWB	35	83929	103						
65205SRL	13	83930	103						
65205W	35	83955	103						
65205WB	35	83956	103						
65206R	11	83957	103						
65206RB	11								
65206RL	13								
65206SRL	13								
65206X	35								
65206XB	35								
65206Y	63								
65206YB	63								
65207M	35								
65207MB	35								
65207R	11								
65207RB	11								
65207RL	13								
65207Y	63								
65207YB	63								
65208FRL	13								
65208NL	13								
65208R	11								
65208RB	11								
65208RL	13								
65208SRL	13								
66205A	15								
69016Z	39								
69016ZB	39								
69201Z	39								
69201ZB	39								
69202Z	39								
69202ZB	39								
69203Z	39								
69203ZB	39								
69204Z	39								
69204ZB	39								
69206CBRL	59								
69206CBR/SS	57								
69208CBRL	59								
69208CBR/SS	57								
83218	102								
83219	102								
83220	102								
83221	102								
83222	102								
83223	102								
83224	102								
83225	102								
83226	102								

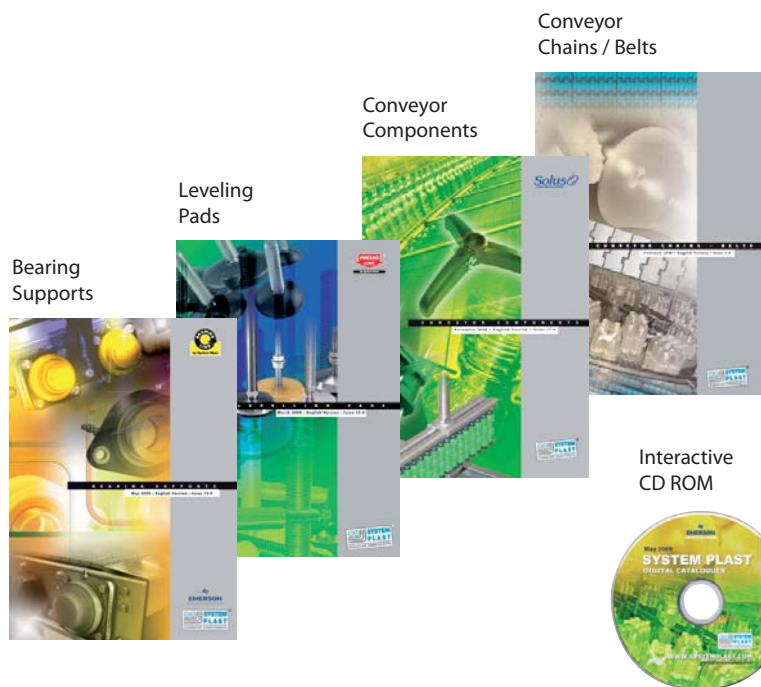
NOTE

A series of horizontal dotted lines for taking notes.

Catalogues available on request

System Plast

*Our complete range of components will cover
all your productive needs*



System Plast worldwide!


Local Commitment, Global Presence

System Plast can reach you everywhere with fast shipments of standard or customized products.
Find our agent or representative closest to you.




www.systemplast.com

 **System Plast S.p.A. - ITALY**
24060 Telgate (Bergamo) - ITALY
Telephone 035.83.51.301
Telefax 035.83.51.406
info@systemplast.com

 **System Plast - GERMANY**
Tel. (03529) 56.15.0
Fax (03529) 51.13.67
info@fspchains.com

 **System Plast - GERMANY**
Sales Office - GERMANY
Tel. (06204) 9673.0
Fax (06204) 9673.29
info-de@systemplast.com


 **Sytem Plast s.a. - FRANCE**
Tel. (01) 64.66.05.48
Fax (01) 64.66.05.82
info-fr@systemplast.com


 **System Plast International
THE NETHERLANDS**
Tel. (0186) 63.61.21
Fax (0186) 63.61.25
info-nl@systemplast.com


 **System Plast - ENGLAND**
Tel. (01926) 614.314
Fax (01926) 614.914
info-uk@systemplast.com

 **Solus - USA - EAST**
Tel. (919) 775.5716
Fax (919) 775.5720
solusteam@solusii.com

 **Emerson Power Transmission
USA - WEST**
Tel. 866.765.8744
Fax 866.447.6587
solusteam@solusii.com

 **Solus System Plast - MEXICO**
Tel. (033) 3688-0024
Fax (033) 3688-0036
info-mx@systemplast.com

 **System Plast - BRAZIL**
Tel. (011) 3849.48.46
Fax (011) 3845.46.02
info-br@systemplast.com

 **System Plast - SINGAPORE**
Tel. (65) 6746.8990
Fax (65) 6745.1380
info-sg@systemplast.com

 **Emerson Power Transmission
(Zhangzhou) Co., Ltd. - CHINA**
Tel. (86) 596 2136017
Fax (86) 596 2136004
sales.zz@emerson.com